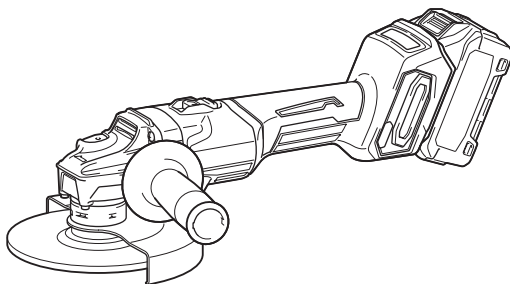




EN	Cordless Angle Grinder	INSTRUCTION MANUAL	7
SV	Batteridrivnen vinkelslipmaskin	BRUKSANVISNING	17
NO	Batteridrevet vinkelsliper	BRUKSANVISNING	27
FI	Akkukäyttöinen kulmahiomakone	KÄYTTÖOHJE	37
DA	Ledningsfri vinkelsliber	BRUGSANVISNING	47
LV	Bezvada leņķa slīpmašīna	LIETOŠANAS INSTRUKCIJA	57
LT	Belaidis kampinis šlifuoכלis	NAUDOJIMO INSTRUKCIJA	67
ET	Juhtmeta nurklihvija	KASUTUSJUHEND	77
RU	Акумуляторная угловая шлифмашина	РУКОВОДСТВО ПО ЭКСПЛУАТАЦИИ	87

GA035G



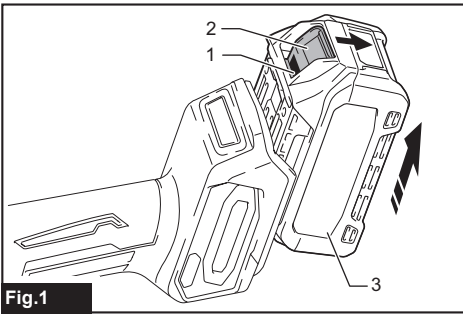


Fig.1

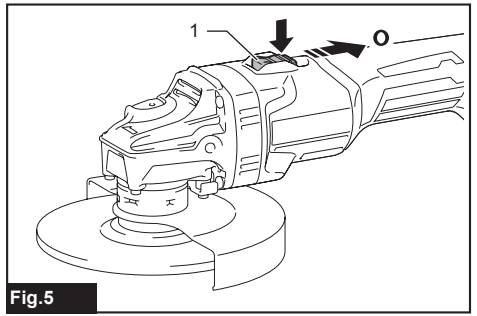


Fig.5

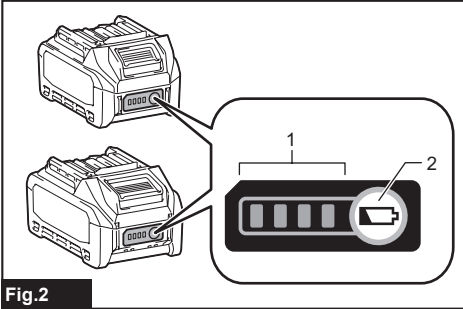


Fig.2

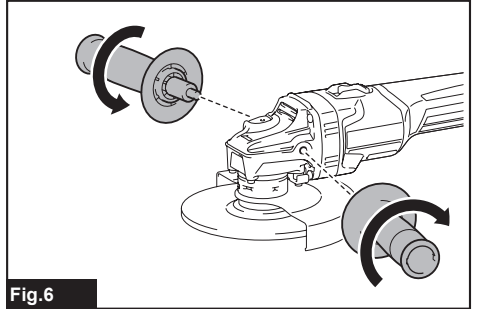


Fig.6

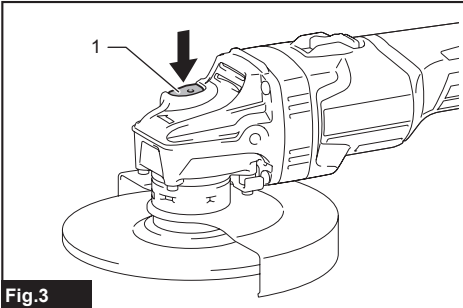


Fig.3

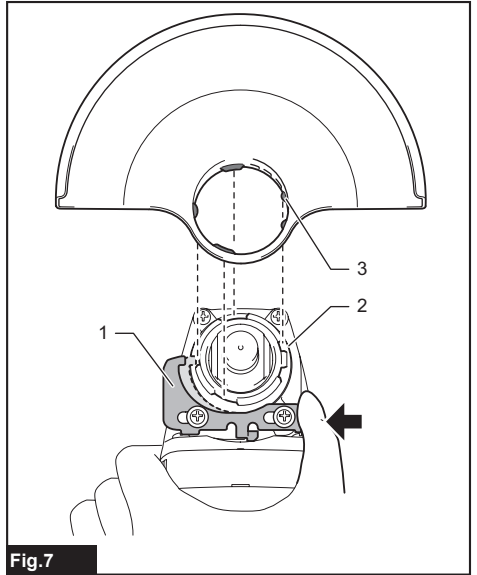


Fig.7

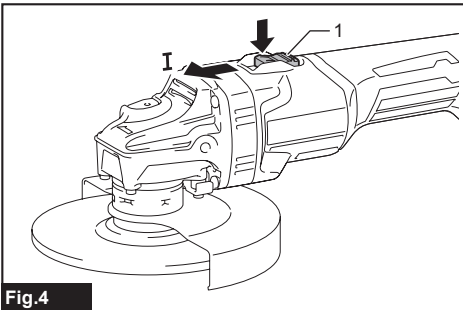


Fig.4

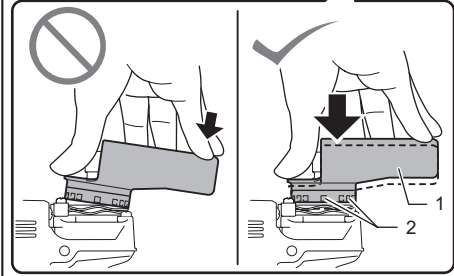
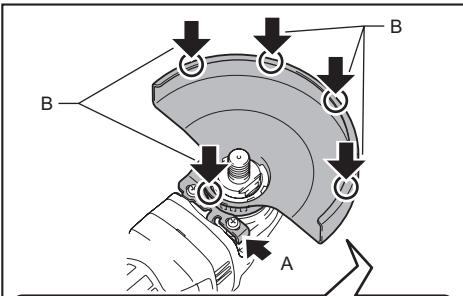


Fig.8

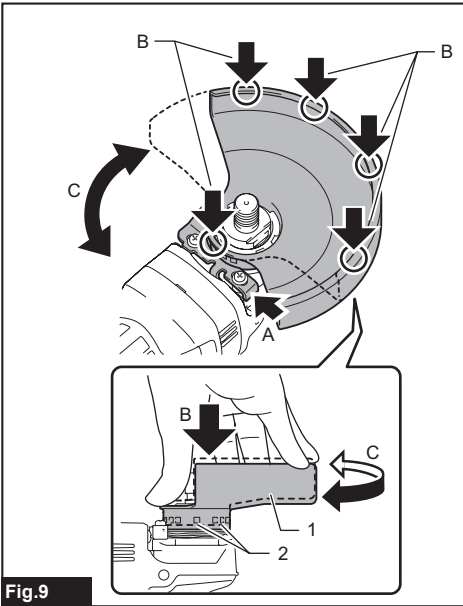


Fig.9

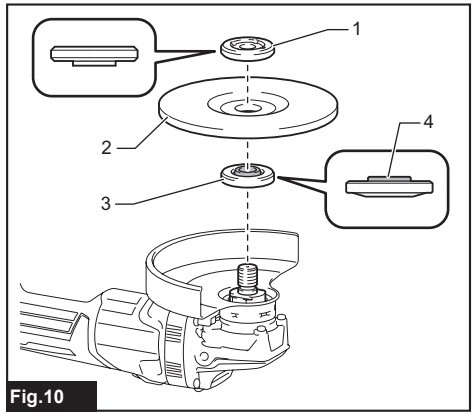


Fig.10

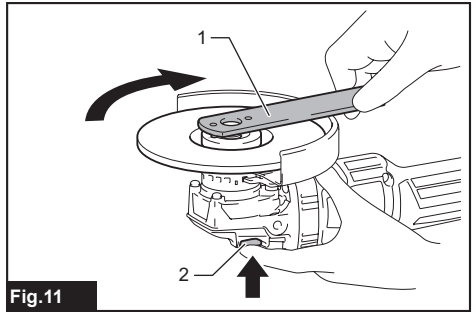


Fig.11

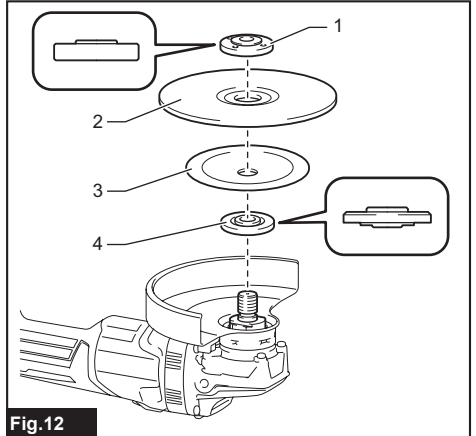


Fig.12

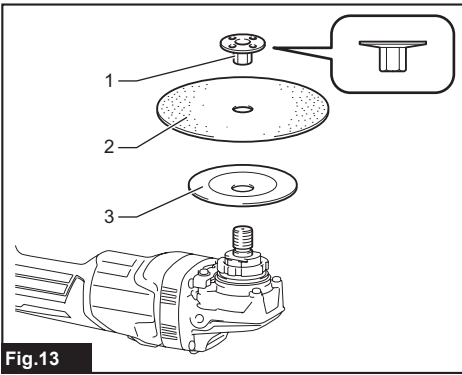


Fig. 13

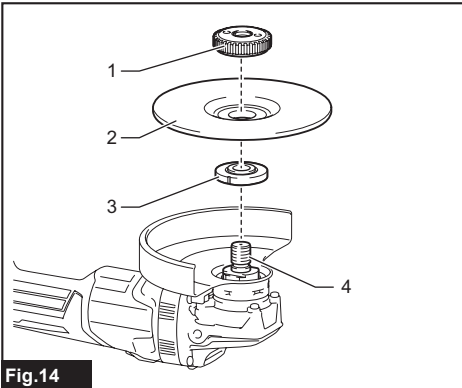


Fig. 14

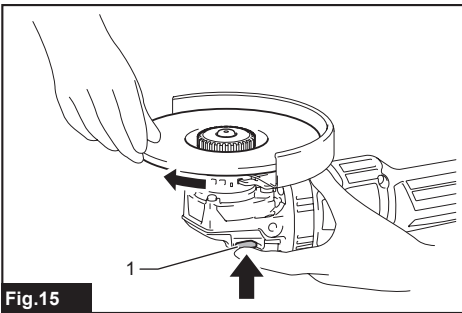


Fig. 15

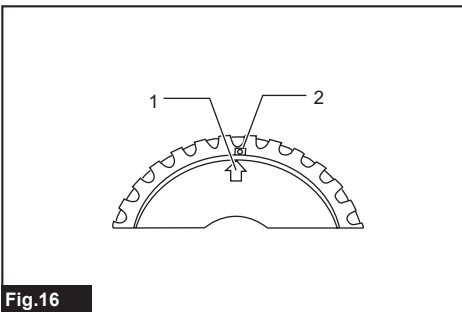


Fig. 16

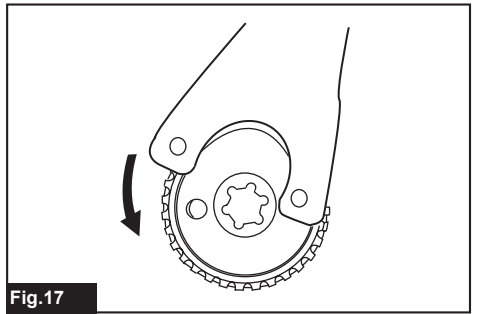


Fig. 17

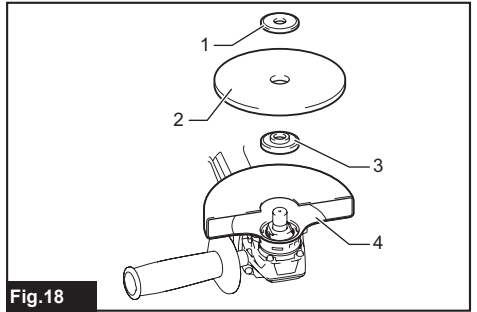


Fig. 18

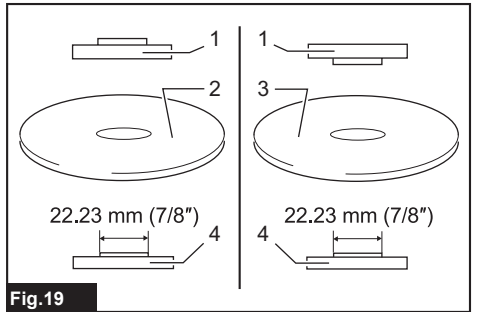


Fig. 19

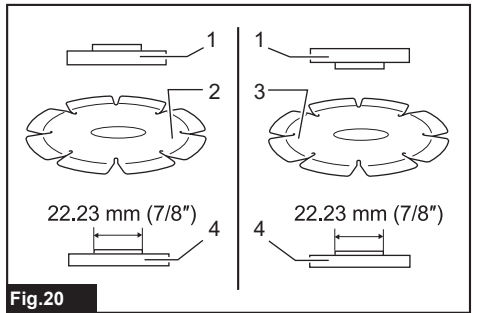
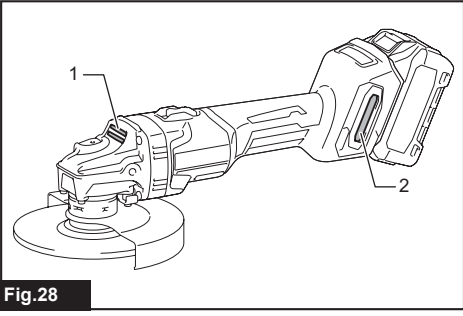
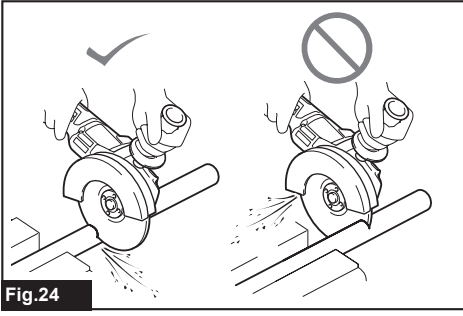
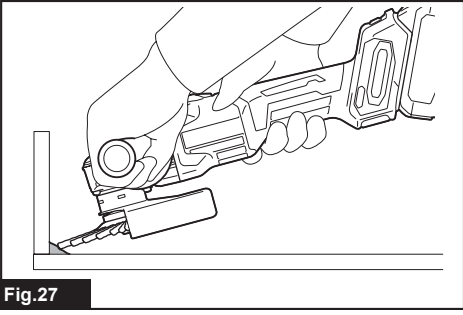
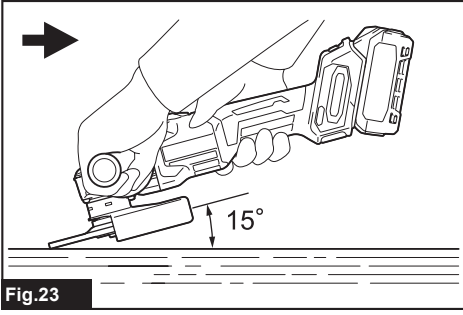
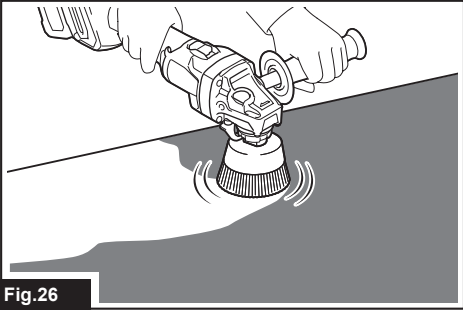
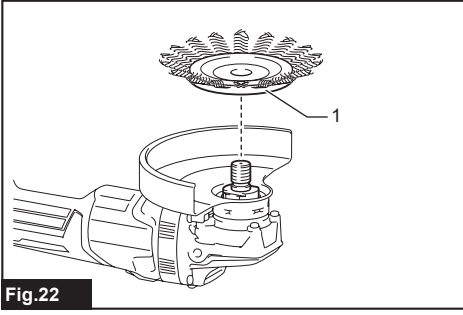
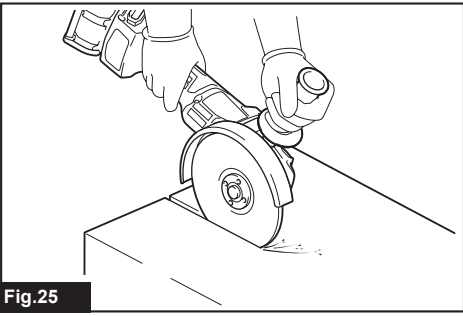
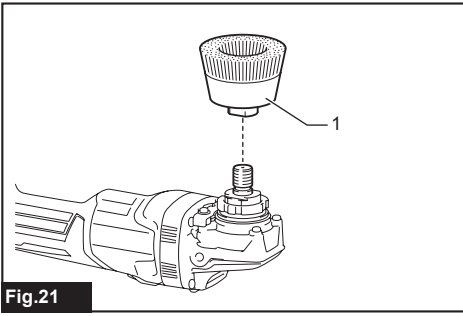


Fig. 20



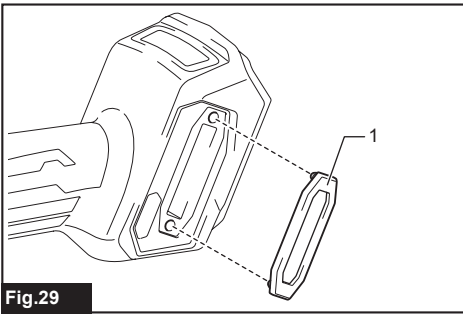


Fig.29

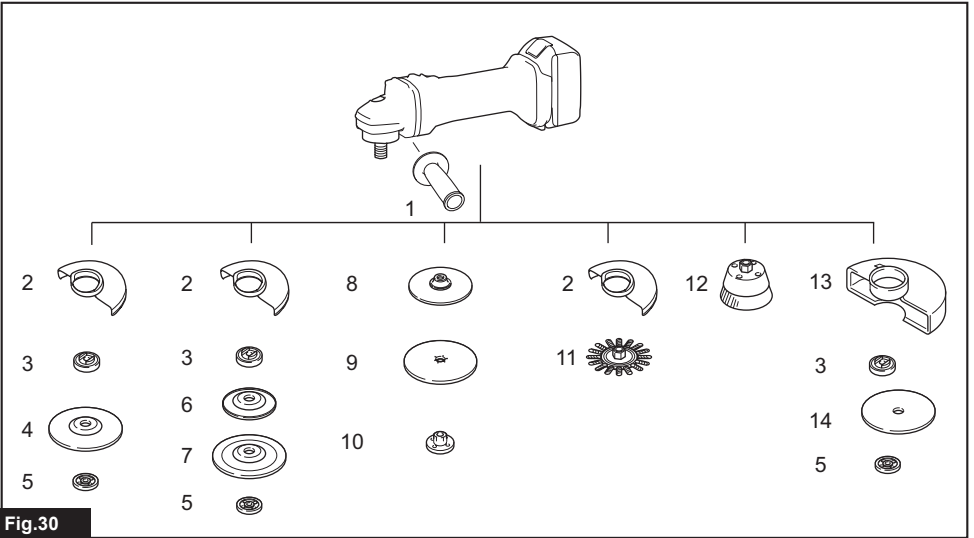


Fig.30

SPECIFICATIONS

Model:		GA035G
Wheel diameter		150 mm (6")
Max. wheel thickness		6.4 mm
Spindle thread		M14 or 5/8" (country specific)
Rated speed (n)		8,500 min ⁻¹
Overall length	with BL4025	398 mm
	with BL4040	410 mm
Net weight		3.0 - 3.7 kg
Rated voltage		D.C. 36 V - 40 V max

- Due to our continuing program of research and development, the specifications herein are subject to change without notice.
- Specifications may differ from country to country.
- The weight may differ depending on the attachment(s), including the battery cartridge. The lightest and heaviest combination, according to EPTA-Procedure 01/2014, are shown in the table.

Applicable battery cartridge and charger

Battery cartridge	BL4025 / BL4040
Charger	DC40RA

- Some of the battery cartridges and chargers listed above may not be available depending on your region of residence.

⚠WARNING: Only use the battery cartridges and chargers listed above. Use of any other battery cartridges and chargers may cause injury and/or fire.

Intended use

The tool is intended for grinding, sanding, wire brushing and cutting of metal and stone materials without the use of water.

Noise

The typical A-weighted noise level determined according to EN60745-2-3:

Sound pressure level (L_{pA}) : 82 dB(A)

Sound power level (L_{WA}) : 93 dB (A)

Uncertainty (K) : 3 dB(A)

NOTE: The declared noise emission value(s) has been measured in accordance with a standard test method and may be used for comparing one tool with another.

NOTE: The declared noise emission value(s) may also be used in a preliminary assessment of exposure.

⚠WARNING: Wear ear protection.

⚠WARNING: The noise emission during actual use of the power tool can differ from the declared value(s) depending on the ways in which the tool is used especially what kind of workpiece is processed.

⚠WARNING: Be sure to identify safety measures to protect the operator that are based on an estimation of exposure in the actual conditions of use (taking account of all parts of the operating cycle such as the times when the tool is switched off and when it is running idle in addition to the trigger time).

Vibration

The vibration total value (tri-axial vector sum) determined according to EN60745-2-3:

Work mode: surface grinding with normal side grip

Vibration emission ($a_{h,AG}$) : 7.0 m/s²

Uncertainty (K) : 1.5 m/s²

Work mode: surface grinding with anti vibration side grip

Vibration emission ($a_{h,AG}$) : 9.5 m/s²

Uncertainty (K) : 1.5 m/s²

Work mode: disc sanding with normal side grip

Vibration emission ($a_{h,DS}$) : 4.5 m/s²

Uncertainty (K) : 1.5 m/s²

Work mode: disc sanding with anti vibration side grip

Vibration emission ($a_{h,DS}$) : 4.0 m/s²

Uncertainty (K) : 1.5 m/s²

NOTE: The declared vibration total value(s) has been measured in accordance with a standard test method and may be used for comparing one tool with another.

NOTE: The declared vibration total value(s) may also be used in a preliminary assessment of exposure.

⚠️WARNING: The vibration emission during actual use of the power tool can differ from the declared value(s) depending on the ways in which the tool is used especially what kind of workpiece is processed.

⚠️WARNING: Be sure to identify safety measures to protect the operator that are based on an estimation of exposure in the actual conditions of use (taking account of all parts of the operating cycle such as the times when the tool is switched off and when it is running idle in addition to the trigger time).

⚠️WARNING: The declared vibration emission value is used for main applications of the power tool. However if the power tool is used for other applications, the vibration emission value may be different.

EC Declaration of Conformity

For European countries only

The EC declaration of conformity is included as Annex A to this instruction manual.

SAFETY WARNINGS

General power tool safety warnings

⚠️WARNING: Read all safety warnings, instructions, illustrations and specifications provided with this power tool. Failure to follow all instructions listed below may result in electric shock, fire and/or serious injury.

Save all warnings and instructions for future reference.

The term "power tool" in the warnings refers to your mains-operated (corded) power tool or battery-operated (cordless) power tool.

Cordless grinder safety warnings

Safety Warnings Common for Grinding, Sanding, Wire Brushing, or Abrasive Cutting-Off Operations:

1. **This power tool is intended to function as a grinder, sander, wire brush or cut-off tool. Read all safety warnings, instructions, illustrations and specifications provided with this power tool.** Failure to follow all instructions listed below may result in electric shock, fire and/or serious injury.
2. **Operations such as polishing are not recommended to be performed with this power tool.** Operations for which the power tool was not designed may create a hazard and cause personal injury.
3. **Do not use accessories which are not specifically designed and recommended by the tool manufacturer.** Just because the accessory can be attached to your power tool, it does not assure safe operation.

4. **The rated speed of the accessory must be at least equal to the maximum speed marked on the power tool.** Accessories running faster than their rated speed can break and fly apart.
5. **The outside diameter and the thickness of your accessory must be within the capacity rating of your power tool.** Incorrectly sized accessories cannot be adequately guarded or controlled.
6. **Threaded mounting of accessories must match the grinder spindle thread. For accessories mounted by flanges, the arbour hole of the accessory must fit the locating diameter of the flange.** Accessories that do not match the mounting hardware of the power tool will run out of balance, vibrate excessively and may cause loss of control.
7. **Do not use a damaged accessory. Before each use inspect the accessory such as abrasive wheels for chips and cracks, backing pad for cracks, tear or excess wear, wire brush for loose or cracked wires. If power tool or accessory is dropped, inspect for damage or install an undamaged accessory. After inspecting and installing an accessory, position yourself and bystanders away from the plane of the rotating accessory and run the power tool at maximum no-load speed for one minute.** Damaged accessories will normally break apart during this test time.
8. **Wear personal protective equipment.** Depending on application, use face shield, safety goggles or safety glasses. As appropriate, wear dust mask, hearing protectors, gloves and workshop apron capable of stopping small abrasive or workpiece fragments. The eye protection must be capable of stopping flying debris generated by various operations. The dust mask or respirator must be capable of filtering particles generated by your operation. Prolonged exposure to high intensity noise may cause hearing loss.
9. **Keep bystanders a safe distance away from work area. Anyone entering the work area must wear personal protective equipment.** Fragments of workpiece or of a broken accessory may fly away and cause injury beyond immediate area of operation.
10. **Hold the power tool by insulated gripping surfaces only, when performing an operation where the cutting tool may contact hidden wiring.** Contact with a "live" wire will also make exposed metal parts of the power tool "live" and could give the operator an electric shock.
11. **Never lay the power tool down until the accessory has come to a complete stop.** The spinning accessory may grab the surface and pull the power tool out of your control.
12. **Do not run the power tool while carrying it at your side.** Accidental contact with the spinning accessory could snag your clothing, pulling the accessory into your body.
13. **Regularly clean the power tool's air vents.** The motor's fan will draw the dust inside the housing and excessive accumulation of powdered metal may cause electrical hazards.
14. **Do not operate the power tool near flammable materials.** Sparks could ignite these materials.
15. **Do not use accessories that require liquid coolants.** Using water or other liquid coolants may result in electrocution or shock.

Kickback and Related Warnings

Kickback is a sudden reaction to a pinched or snagged rotating wheel, backing pad, brush or any other accessory. Pinching or snagging causes rapid stalling of the rotating accessory which in turn causes the uncontrolled power tool to be forced in the direction opposite of the accessory's rotation at the point of the binding. For example, if an abrasive wheel is snagged or pinched by the workpiece, the edge of the wheel that is entering into the pinch point can dig into the surface of the material causing the wheel to climb out or kick out. The wheel may either jump toward or away from the operator, depending on direction of the wheel's movement at the point of pinching. Abrasive wheels may also break under these conditions.

Kickback is the result of power tool misuse and/or incorrect operating procedures or conditions and can be avoided by taking proper precautions as given below.

1. **Maintain a firm grip on the power tool and position your body and arm to allow you to resist kickback forces. Always use auxiliary handle, if provided, for maximum control over kickback or torque reaction during start-up.** The operator can control torque reactions or kickback forces, if proper precautions are taken.
2. **Never place your hand near the rotating accessory.** Accessory may kickback over your hand.
3. **Do not position your body in the area where power tool will move if kickback occurs.** Kickback will propel the tool in direction opposite to the wheel's movement at the point of snagging.
4. **Use special care when working corners, sharp edges etc. Avoid bouncing and snagging the accessory.** Corners, sharp edges or bouncing have a tendency to snag the rotating accessory and cause loss of control or kickback.
5. **Do not attach a saw chain woodcarving blade or toothed saw blade.** Such blades create frequent kickback and loss of control.

Safety Warnings Specific for Grinding and Abrasive Cutting-Off Operations:

1. **Use only wheel types that are recommended for your power tool and the specific guard designed for the selected wheel.** Wheels for which the power tool was not designed cannot be adequately guarded and are unsafe.
2. **The grinding surface of centre depressed wheels must be mounted below the plane of the guard lip.** An improperly mounted wheel that projects through the plane of the guard lip cannot be adequately protected.
3. **The guard must be securely attached to the power tool and positioned for maximum safety, so the least amount of wheel is exposed towards the operator.** The guard helps to protect the operator from broken wheel fragments, accidental contact with wheel and sparks that could ignite clothing.
4. **Wheels must be used only for recommended applications. For example: do not grind with the side of cut-off wheel.** Abrasive cut-off wheels are intended for peripheral grinding, side forces applied to these wheels may cause them to shatter.

5. **Always use undamaged wheel flanges that are of correct size and shape for your selected wheel.** Proper wheel flanges support the wheel thus reducing the possibility of wheel breakage. Flanges for cut-off wheels may be different from grinding wheel flanges.
6. **Do not use worn down wheels from larger power tools.** Wheel intended for larger power tool is not suitable for the higher speed of a smaller tool and may burst.

Additional Safety Warnings Specific for Abrasive Cutting-Off Operations:

1. **Do not "jam" the cut-off wheel or apply excessive pressure. Do not attempt to make an excessive depth of cut.** Overstressing the wheel increases the loading and susceptibility to twisting or binding of the wheel in the cut and the possibility of kickback or wheel breakage.
2. **Do not position your body in line with and behind the rotating wheel.** When the wheel, at the point of operation, is moving away from your body, the possible kickback may propel the spinning wheel and the power tool directly at you.
3. **When wheel is binding or when interrupting a cut for any reason, switch off the power tool and hold the power tool motionless until the wheel comes to a complete stop. Never attempt to remove the cut-off wheel from the cut while the wheel is in motion otherwise kickback may occur.** Investigate and take corrective action to eliminate the cause of wheel binding.
4. **Do not restart the cutting operation in the workpiece. Let the wheel reach full speed and carefully re-enter the cut.** The wheel may bind, walk up or kickback if the power tool is restarted in the workpiece.
5. **Support panels or any oversized workpiece to minimize the risk of wheel pinching and kickback.** Large workpieces tend to sag under their own weight. Supports must be placed under the workpiece near the line of cut and near the edge of the workpiece on both sides of the wheel.
6. **Use extra caution when making a "pocket cut" into existing walls or other blind areas.** The protruding wheel may cut gas or water pipes, electrical wiring or objects that can cause kickback.

Safety Warnings Specific for Sanding Operations:

1. **Do not use excessively oversized sanding disc paper. Follow manufacturers recommendations, when selecting sanding paper.** Larger sanding paper extending beyond the sanding pad presents a laceration hazard and may cause snagging, tearing of the disc or kickback.

Safety Warnings Specific for Wire Brushing Operations:

1. **Be aware that wire bristles are thrown by the brush even during ordinary operation. Do not overstress the wires by applying excessive load to the brush.** The wire bristles can easily penetrate light clothing and/or skin.
2. **If the use of a guard is recommended for wire brushing, do not allow any interference of the wire wheel or brush with the guard.** Wire wheel or brush may expand in diameter due to work load and centrifugal forces.

Additional Safety Warnings:

1. When using depressed centre grinding wheels, be sure to use only fiberglass-reinforced wheels.
2. **NEVER USE Stone Cup type wheels with this grinder.** This grinder is not designed for these types of wheels and the use of such a product may result in serious personal injury.
3. Be careful not to damage the spindle, the flange (especially the installing surface) or the lock nut. Damage to these parts could result in wheel breakage.
4. Make sure the wheel is not contacting the workpiece before the switch is turned on.
5. Before using the tool on an actual workpiece, let it run for a while. Watch for vibration or wobbling that could indicate poor installation or a poorly balanced wheel.
6. Use the specified surface of the wheel to perform the grinding.
7. Do not leave the tool running. Operate the tool only when hand-held.
8. Do not touch the workpiece immediately after operation; it may be extremely hot and could burn your skin.
9. Do not touch accessories immediately after operation; it may be extremely hot and could burn your skin.
10. Observe the instructions of the manufacturer for correct mounting and use of wheels. Handle and store wheels with care.
11. Do not use separate reducing bushings or adaptors to adapt large hole abrasive wheels.
12. Use only flanges specified for this tool.
13. For tools intended to be fitted with threaded hole wheel, ensure that the thread in the wheel is long enough to accept the spindle length.
14. Check that the workpiece is properly supported.
15. Pay attention that the wheel continues to rotate after the tool is switched off.
16. If working place is extremely hot and humid, or badly polluted by conductive dust, use a short-circuit breaker (30 mA) to assure operator safety.
17. Do not use the tool on any materials containing asbestos.
18. When use cut-off wheel, always work with the dust collecting wheel guard required by domestic regulation.
19. Cutting discs must not be subjected to any lateral pressure.
20. Do not use cloth work gloves during operation. Fibers from cloth gloves may enter the tool, which causes tool breakage.
21. Make sure there are no electrical cables, water pipes, gas pipes etc. that could cause a hazard if damaged by use of the tool.

SAVE THESE INSTRUCTIONS.

⚠WARNING: DO NOT let comfort or familiarity with product (gained from repeated use) replace strict adherence to safety rules for the subject product. MISUSE or failure to follow the safety rules stated in this instruction manual may cause serious personal injury.

Important safety instructions for battery cartridge

1. Before using battery cartridge, read all instructions and cautionary markings on (1) battery charger, (2) battery, and (3) product using battery.
2. Do not disassemble or tamper the battery cartridge. It may result in a fire, excessive heat, or explosion.
3. If operating time has become excessively shorter, stop operating immediately. It may result in a risk of overheating, possible burns and even an explosion.
4. If electrolyte gets into your eyes, rinse them out with clear water and seek medical attention right away. It may result in loss of your eyesight.
5. Do not short the battery cartridge:
 - (1) Do not touch the terminals with any conductive material.
 - (2) Avoid storing battery cartridge in a container with other metal objects such as nails, coins, etc.
 - (3) Do not expose battery cartridge to water or rain.A battery short can cause a large current flow, overheating, possible burns and even a breakdown.
6. Do not store and use the tool and battery cartridge in locations where the temperature may reach or exceed 50 °C (122 °F).
7. Do not incinerate the battery cartridge even if it is severely damaged or is completely worn out. The battery cartridge can explode in a fire.
8. Do not nail, cut, crush, throw, drop the battery cartridge, or hit against a hard object to the battery cartridge. Such conduct may result in a fire, excessive heat, or explosion.
9. Do not use a damaged battery.
10. The contained lithium-ion batteries are subject to the Dangerous Goods Legislation requirements.

For commercial transports e.g. by third parties, forwarding agents, special requirement on packaging and labeling must be observed.

For preparation of the item being shipped, consulting an expert for hazardous material is required. Please also observe possibly more detailed national regulations.

Tape or mask off open contacts and pack up the battery in such a manner that it cannot move around in the packaging.
11. When disposing the battery cartridge, remove it from the tool and dispose of it in a safe place. Follow your local regulations relating to disposal of battery.
12. Use the batteries only with the products specified by Makita. Installing the batteries to non-compliant products may result in a fire, excessive heat, explosion, or leak of electrolyte.

13. If the tool is not used for a long period of time, the battery must be removed from the tool.
14. During and after use, the battery cartridge may take on heat which can cause burns or low temperature burns. Pay attention to the handling of hot battery cartridges.
15. Do not touch the terminal of the tool immediately after use as it may get hot enough to cause burns.
16. Do not allow chips, dust, or soil stuck into the terminals, holes, and grooves of the battery cartridge. It may result in poor performance or breakdown of the tool or battery cartridge.
17. Unless the tool supports the use near high-voltage electrical power lines, do not use the battery cartridge near a high-voltage electrical power lines. It may result in a malfunction or breakdown of the tool or battery cartridge.
18. Keep the battery away from children.

SAVE THESE INSTRUCTIONS.

CAUTION: Only use genuine Makita batteries. Use of non-genuine Makita batteries, or batteries that have been altered, may result in the battery bursting causing fires, personal injury and damage. It will also void the Makita warranty for the Makita tool and charger.

Tips for maintaining maximum battery life

1. Charge the battery cartridge before completely discharged. Always stop tool operation and charge the battery cartridge when you notice less tool power.
2. Never recharge a fully charged battery cartridge. Overcharging shortens the battery service life.
3. Charge the battery cartridge with room temperature at 10 °C - 40 °C (50 °F - 104 °F). Let a hot battery cartridge cool down before charging it.
4. When not using the battery cartridge, remove it from the tool or the charger.
5. Charge the battery cartridge if you do not use it for a long period (more than six months).

FUNCTIONAL DESCRIPTION

CAUTION: Always be sure that the tool is switched off and the battery cartridge is removed before adjusting or checking function on the tool.

Installing or removing battery cartridge

CAUTION: Always switch off the tool before installing or removing of the battery cartridge.

CAUTION: Hold the tool and the battery cartridge firmly when installing or removing battery cartridge. Failure to hold the tool and the battery cartridge firmly may cause them to slip off your hands and result in damage to the tool and battery cartridge and a personal injury.

► Fig.1: 1. Red indicator 2. Button 3. Battery cartridge

To remove the battery cartridge, slide it from the tool while sliding the button on the front of the cartridge.

To install the battery cartridge, align the tongue on the battery cartridge with the groove in the housing and slip it into place. Insert it all the way until it locks in place with a little click. If you can see the red indicator on the upper side of the button, it is not locked completely.

CAUTION: Always install the battery cartridge fully until the red indicator cannot be seen. If not, it may accidentally fall out of the tool, causing injury to you or someone around you.

CAUTION: Do not install the battery cartridge forcibly. If the cartridge does not slide in easily, it is not being inserted correctly.

Indicating the remaining battery capacity

Press the check button on the battery cartridge to indicate the remaining battery capacity. The indicator lamps light up for a few seconds.

► Fig.2: 1. Indicator lamps 2. Check button

Indicator lamps			Remaining capacity
Lighted	Off	Blinking	
			75% to 100%
			50% to 75%
			25% to 50%
			0% to 25%
			Charge the battery.
			The battery may have malfunctioned.

NOTE: Depending on the conditions of use and the ambient temperature, the indication may differ slightly from the actual capacity.

NOTE: The first (far left) indicator lamp will blink when the battery protection system works.

Tool / battery protection system

The tool is equipped with a tool/battery protection system. This system automatically cuts off power to the motor to extend tool and battery life. The tool will automatically stop during operation if the tool or battery is placed under one of the following conditions:

Overload protection

When the tool/battery is operated in a manner that causes it to draw an abnormally high current, the tool automatically stops without any indication. In this situation, turn the tool off and stop the application that caused the tool to become overloaded. Then turn the tool on to restart.

Overheat protection

When the tool/battery is overheated, the tool stops automatically. Let the tool cool down before turning the tool on again.

Overdischarge protection

When the battery capacity is not enough, the tool stops automatically. In this case, remove the battery from the tool and charge the battery.

Releasing protection lock

When the protection system works repeatedly, the tool is locked. In this situation, the tool does not start even if turning the tool off and on. To release the protection lock, remove the battery, set it to the battery charger and wait until the charging finishes.

Shaft lock

Press the shaft lock to prevent spindle rotation when installing or removing accessories.

► **Fig.3:** 1. Shaft lock

NOTICE: Never actuate the shaft lock when the spindle is moving. The tool may be damaged.

Switch action

CAUTION: Before installing the battery cartridge into the tool, always check to see that the slide switch actuates properly and returns to the "OFF" position when the rear of the slide switch is depressed.

CAUTION: Switch can be locked in "ON" position for ease of operator comfort during extended use. Apply caution when locking tool in "ON" position and maintain firm grasp on tool.

To start the tool, press down the rear end of the slide switch and then slide it toward the "I (ON)" position. For continuous operation, press down the front end of the slide switch to lock it.

► **Fig.4:** 1. Slide switch

To stop the tool, press down the rear end of the slide switch so that it returns to the "O (OFF)" position.

► **Fig.5:** 1. Slide switch

Accidental re-start preventive function

When installing the battery cartridge while the slide switch in the "I (ON)" position, the tool does not start. To start the tool, first slide the slide switch toward the "O (OFF)" position and then slide it toward the "I (ON)" position.

Electronic torque control function

The tool electronically detects situations where the wheel or accessory may be at risk to be bound. In the situation, the tool is automatically shut off to prevent further rotation of the spindle (it does not prevent kickback).

To restart the tool, switch off the tool first, remove the cause of sudden drop in the rotation speed, and then turn the tool on.

Soft start feature

Soft start feature reduces starting reaction.

ASSEMBLY

CAUTION: Always be sure that the tool is switched off and the battery cartridge is removed before adjusting or checking function on the tool.

Installing side grip (handle)

CAUTION: Always be sure that the side grip is installed securely before operation.

Screw the side grip securely on the position of the tool as shown in the figure.

► **Fig.6**

Installing or removing wheel guard

WARNING: When using a depressed center wheel, flap disc, flex wheel or wire wheel brush, the wheel guard must be fitted on the tool so that the closed side of the guard always points toward the operator.

WARNING: Make sure that the wheel guard is securely locked by the lock lever with one of the holes on the wheel guard.

WARNING: When using an abrasive cut-off / diamond wheel, be sure to use only the special wheel guard designed for use with cut-off wheels. (In some European countries, when using a diamond wheel, the ordinary guard can be used. Follow the regulations in your country.)

For depressed center wheel, flap disc, flex wheel, wire wheel brush / abrasive cut-off wheel, diamond wheel

1. While pushing the lock lever, mount the wheel guard with the protrusions on the wheel guard aligned with the notches on the bearing box.

► **Fig.7:** 1. Lock lever 2. Notch 3. Protrusion

2. While pushing the lock lever toward A, push in the wheel guard by holding down the portions B as shown in the figure.

► **Fig.8:** 1. Wheel guard 2. Hole

NOTE: Push down the wheel guard straight. Otherwise, you cannot push the wheel guard completely.

3. While keeping the lock lever and wheel guard position as described in step 2, rotate the wheel guard toward C, and then, change the angle of the wheel guard according to the work so that the operator can be protected. Align the lock lever with one of the holes in the wheel guard, and then release the lock lever to lock the wheel guard.

► **Fig.9:** 1. Wheel guard 2. Hole

NOTE: Push the wheel guard completely. Otherwise, you cannot rotate the wheel guard.

To remove wheel guard, follow the installation procedure in reverse.

Installing or removing depressed center wheel or flap disc

Optional accessory

⚠WARNING: When using a depressed center wheel or flap disc, the wheel guard must be fitted on the tool so that the closed side of the guard always points toward the operator.

⚠CAUTION: Make sure that the mounting part of the inner flange fits into the inner diameter of the depressed center wheel / flap disc perfectly. Mounting the inner flange on the wrong side may result in the dangerous vibration.

Mount the inner flange onto the spindle. Make sure to fit the dented part of the inner flange onto the straight part at the bottom of the spindle.

Fit the depressed center wheel / flap disc on the inner flange and screw the lock nut onto the spindle.

► **Fig.10:** 1. Lock nut 2. Depressed center wheel 3. Inner flange 4. Mounting part

To tighten the lock nut, press the shaft lock firmly so that the spindle cannot revolve, then use the lock nut wrench and securely tighten clockwise.

► **Fig.11:** 1. Lock nut wrench 2. Shaft lock

To remove the wheel, follow the installation procedure in reverse.

Installing or removing flex wheel

Optional accessory

⚠WARNING: Always use supplied guard when flex wheel is on tool. Wheel can shatter during use and guard helps to reduce chances of personal injury.

► **Fig.12:** 1. Lock nut 2. Flex wheel 3. Back up pad 4. Inner flange

Follow instructions for depressed center wheel but also use back up pad over wheel. See order of assembly on accessories page in this manual.

Installing or removing abrasive disc

Optional accessory

► **Fig.13:** 1. Sanding lock nut 2. Abrasive disc 3. Rubber pad

1. Mount the rubber pad onto the spindle.
2. Fit the disc on the rubber pad and screw the sanding lock nut onto the spindle.
3. Hold the spindle with the shaft lock, and securely tighten the sanding lock nut clockwise with the lock nut wrench.

To remove the disc, follow the installation procedure in reverse.

NOTE: Use sander accessories specified in this manual. These must be purchased separately.

Installing or removing Ezynut

Optional accessory

⚠CAUTION: Do not use Ezynut with Super Flange or angle grinder with "F" on the end of the model No. Those flanges are so thick that the entire thread cannot be retained by the spindle.

► **Fig.14:** 1. Ezynut 2. Abrasive wheel 3. Inner flange 4. Spindle

Mount inner flange, abrasive wheel and Ezynut onto the spindle so that Makita Logo on Ezynut faces outside.

► **Fig.15:** 1. Shaft lock

Press shaft lock firmly and tighten Ezynut by turning the abrasive wheel clockwise as far as it turns.

Turn the outside ring of Ezynut counterclockwise to loosen.

► **Fig.16:** 1. Arrow 2. Notch

► **Fig.17**

NOTE: Ezynut can be loosened by hand as long as the arrow points the notch. Otherwise a lock nut wrench is required to loosen it. Insert one pin of the wrench into a hole and turn Ezynut counterclockwise.

Installing abrasive cut-off / diamond wheel

Optional accessory

⚠ WARNING: When using an abrasive cut-off / diamond wheel, be sure to use only the special wheel guard designed for use with cut-off wheels.

(In some European countries, when using a diamond wheel, the ordinary guard can be used. Follow the regulations in your country.)

⚠ WARNING: NEVER use cut-off wheel for side grinding.

- **Fig.18:** 1. Lock nut 2. Abrasive cut-off wheel / diamond wheel 3. Inner flange 4. Wheel guard for abrasive cut-off wheel / diamond wheel

As for the installation, follow the instructions for depressed center wheel.

The direction for mounting the lock nut and the inner flange varies by wheel type and thickness. Refer to the following figures.

When installing the abrasive cut-off wheel:

- **Fig.19:** 1. Lock nut 2. Abrasive cut-off wheel (Thinner than 4 mm (5/32")) 3. Abrasive cut-off wheel (4 mm (5/32") or thicker) 4. Inner flange

When installing the diamond wheel:

- **Fig.20:** 1. Lock nut 2. Diamond wheel (Thinner than 4 mm (5/32")) 3. Diamond wheel (4 mm (5/32") or thicker) 4. Inner flange

Installing wire cup brush

Optional accessory

⚠ CAUTION: Do not use brush that is damaged, or which is out of balance. Use of damaged brush could increase potential for injury from contact with broken brush wires.

- **Fig.21:** 1. Wire cup brush

Remove the battery cartridge from the tool and place it upside down allowing easy access to spindle. Remove any accessories on spindle. Thread wire cup brush onto spindle and tighten with supplied wrench.

Installing wire wheel brush

Optional accessory

⚠ CAUTION: Do not use wire wheel brush that is damaged, or which is out of balance. Use of damaged wire wheel brush could increase potential for injury from contact with broken wires.

⚠ CAUTION: ALWAYS use guard with wire wheel brushes, assuring diameter of wheel fits inside guard. Wheel can shatter during use and guard helps to reduce chances of personal injury.

- **Fig.22:** 1. Wire wheel brush

Remove the battery cartridge from the tool and place it upside down allowing easy access to spindle. Remove any accessories on spindle. Thread wire wheel brush onto spindle and tighten with the wrenches.

OPERATION

⚠ WARNING: It should never be necessary to force the tool. The weight of the tool applies adequate pressure. Forcing and excessive pressure could cause dangerous wheel breakage.

⚠ WARNING: ALWAYS replace wheel if tool is dropped while grinding.

⚠ WARNING: NEVER bang or hit grinding disc or wheel onto work.

⚠ WARNING: Avoid bouncing and snagging the wheel, especially when working corners, sharp edges etc. This can cause loss of control and kickback.

⚠ WARNING: NEVER use tool with wood cutting blades and other saw blades. Such blades when used on a grinder frequently kick and cause loss of control leading to personal injury.

⚠ CAUTION: Never switch on the tool when it is in contact with the workpiece, it may cause an injury to operator.

⚠ CAUTION: Always wear safety goggles or a face shield during operation.

⚠ CAUTION: After operation, always switch off the tool and wait until the wheel has come to a complete stop before putting the tool down.

⚠ CAUTION: ALWAYS hold the tool firmly with one hand on housing and the other on the side grip (handle).

Grinding and sanding operation

- **Fig.23**

Turn the tool on and then apply the wheel or disc to the workpiece.

In general, keep the edge of the wheel or disc at an angle of about 15° to the workpiece surface. During the break-in period with a new wheel, do not work the grinder in forward direction or it may cut into the workpiece. Once the edge of the wheel has been rounded off by use, the wheel may be worked in both forward and backward direction.

Operation with abrasive cut-off / diamond wheel

Optional accessory

⚠ WARNING: Do not "jam" the wheel or apply excessive pressure. Do not attempt to make an excessive depth of cut. Overstressing the wheel increases the loading and susceptibility to twisting or binding of the wheel in the cut and the possibility of kickback, wheel breakage and overheating of the motor may occur.

⚠ WARNING: Do not start the cutting operation in the workpiece. Let the wheel reach full speed and carefully enter into the cut moving the tool forward over the workpiece surface. The wheel may bind, walk up or kickback if the power tool is started in the workpiece.

⚠ WARNING: During cutting operations, never change the angle of the wheel. Placing side pressure on the cut-off wheel (as in grinding) will cause the wheel to crack and break, causing serious personal injury.

⚠ WARNING: A diamond wheel shall be operated perpendicular to the material being cut.

Usage example: operation with abrasive cut-off wheel

► Fig.24

Usage example: operation with diamond wheel

► Fig.25

Operation with wire cup brush

Optional accessory

⚠ CAUTION: Check operation of brush by running tool with no load, insuring that no one is in front of or in line with brush.

NOTICE: Avoid applying too much pressure which causes over bending of wires when using the wire cup brush. It may lead to premature breakage.

Usage example: operation with wire cup brush

► Fig.26

Operation with wire wheel brush

Optional accessory

⚠ CAUTION: Check operation of wire wheel brush by running tool with no load, insuring that no one is in front of or in line with the wire wheel brush.

NOTICE: Avoid applying too much pressure which causes over bending of wires when using wire wheel brush. It may lead to premature breakage.

Usage example: operation with wire wheel brush

► Fig.27

MAINTENANCE

⚠ CAUTION: Always be sure that the tool is switched off and the battery cartridge is removed before attempting to perform inspection or maintenance.

NOTICE: Never use gasoline, benzine, thinner, alcohol or the like. Discoloration, deformation or cracks may result.

To maintain product SAFETY and RELIABILITY, repairs, any other maintenance or adjustment should be performed by Makita Authorized Service Centers, always using Makita replacement parts.

Air vent cleaning

The tool and its air vents have to be kept clean. Regularly clean the tool's air vents or whenever the vents start to become obstructed.

► Fig.28: 1. Exhaust vent 2. Inhalation vent

Remove the dust cover from inhalation vent and clean it for smooth air circulation.

► Fig.29: 1. Dust cover

NOTICE: Clean out the dust cover when it is clogged with dust or foreign matters. Continuing operation with a clogged dust cover may damage the tool.

OPTIONAL ACCESSORIES

⚠ CAUTION: These accessories or attachments are recommended for use with your Makita tool specified in this manual. The use of any other accessories or attachments might present a risk of injury to persons. Only use accessory or attachment for its stated purpose.

If you need any assistance for more details regarding these accessories, ask your local Makita Service Center.

- Makita genuine battery and charger

► Fig.30

	150 mm (6") model
-	
1	Grip 36
2	Wheel Guard (for grinding wheel)
3	Inner flange
4	Depressed center wheel / Flap disc
5	Lock nut
6	Back up pad
7	Flex wheel
8	Rubber pad 125
9	Abrasive disc
10	Sanding lock nut
11	Wire wheel brush
12	Wire cup brush
13	Wheel Guard (for cut-off wheel) *1
14	Abrasive cut-off wheel / Diamond wheel
-	Lock nut wrench

NOTE: *1 In some European countries, when using a diamond wheel, the ordinary guard can be used instead of the special guard covering the both side of the wheel. Follow the regulations in your country.

NOTE: Some items in the list may be included in the tool package as standard accessories. They may differ from country to country.

SPECIFIKATIONER

Modell:		GA035G
Kapskivans diameter		150 mm (6")
Max. skivtjocklek		6,4 mm
Spindelgånga		M14 eller 5/8" (landsspecifikt)
Nominellt varvtal (n)		8 500 min ⁻¹
Total längd	med BL4025	398 mm
	med BL4040	410 mm
Nettovikt		3,0 - 3,7 kg
Märkspänning		36 V - 40 V likström max

- På grund av vårt pågående program för forskning och utveckling kan dessa specifikationer ändras utan föregående meddelande.
- Specifikationer kan variera mellan olika länder.
- Vikten kan variera beroende på tillbehören, inklusive batterikassett. Den lättaste och den tyngsta kombinationen enligt EPTA-procedur 01/2014 visas i tabellen.

Tillgänglig batterikassett och laddare

Batterikassett	BL4025/BL4040
Laddare	DC40RA

- Vissa av batterikassetterna och laddarna på listan ovan kanske inte finns tillgängliga i din region.

⚠ VARNING: Använd endast batterikassetter och laddare från listan ovan. Användning av andra batterikassetter och laddare kan orsaka personskada och/eller brand.

Avsedd användning

Verktyget är avsett för slipning och kapning i trä och stenmaterial utan användning av vatten.

Buller

Den normala bullernivån för A-belastning är bestämd enligt EN60745-2-3:

Ljudtrycksnivå (L_{pA}): 82 dB (A)

Ljudeffektnivå (L_{WA}): 93 dB (A)

Måttolerans (K): 3 dB (A)

OBS: Det deklarerade bullervärdet har uppmätts i enlighet med standardtestmetoden och kan användas för jämförandet av en maskin med en annan.

OBS: Det deklarerade bulleremissionsvärdet kan också användas i en preliminär bedömning av exponering för vibration.

⚠ VARNING: Använd hörselskydd.

⚠ VARNING: Bulleremissionen under faktisk användning av maskinen kan skilja sig från det deklarerade värdet, beroende på hur maskinen används och särskilt vilken typ av arbetsstycke som behandlas.

⚠ VARNING: Var noga med att identifiera säkerhetsåtgärder för att skydda användaren, vilka är grundade på en uppskattning av graden av exponering för vibrationer under de faktiska användningsförhållandena, (ta, förutom avtryckartiden, med alla delar av användarcykeln i beräkningen, som till exempel tiden då maskinen är avstängd och när den går på tomgång).

Vibration

Det totala vibrationsvärdet (treaxlad vektorsumma) bestämt enligt EN60745-2-3:

Arbetsläge: planslipning med normalt sidohandtag

Vibrationsemission ($a_{h,AG}$): 7,0 m/s²

Måttolerans (K): 1,5 m/s²

Arbetsläge: planslipning med anti-vibrationssidohandtag

Vibrationsemission ($a_{h,AG}$): 9,5 m/s²

Måttolerans (K): 1,5 m/s²

Arbetsläge: skivslipning med normalt sidohandtag

Vibrationsemission ($a_{h,DS}$): 4,5 m/s²

Måttolerans (K): 1,5 m/s²

Arbetsläge: skivslipning med anti-vibrationssidohandtag

Vibrationsemission ($a_{h,DS}$): 4,0 m/s²

Måttolerans (K): 1,5 m/s²

OBS: Det deklarerade totala vibrationsvärdet har uppmätts i enlighet med standardtestmetoden och kan användas för jämförandet av en maskin med en annan.

OBS: Det deklarerade totala vibrationsvärdet kan också användas i en preliminär bedömning av exponering för vibration.

⚠ VARNING: Vibrationsemissionen under faktisk användning av maskinen kan skilja sig från det deklarerade värdet, beroende på hur maskinen används och särskilt vilken typ av arbetssyfte som behandlas.

⚠ VARNING: Var noga med att identifiera säkerhetsåtgärder för att skydda användaren, vilka är grundade på en uppskattning av graden av exponering för vibrationer under de faktiska användningsförhållandena, (ta, förutom avtryckartiden, med alla delar av användarcykeln i beräkningen, som till exempel tiden då maskinen är avstängd och när den går på tomgång).

⚠ VARNING: Det deklarerade vibrationsnivåvärdet används för maskinens huvudsakliga arbetsuppgifter. Om maskinen används för andra arbetsuppgifter kan däremot vibrationsnivåvärdet bli annorlunda.

EG-försäkringen om överensstämmelse

Gäller endast inom EU

EG-försäkringen om överensstämmelse inkluderas som bilaga A till denna bruksanvisning.

SÄKERHETSVARNINGAR

Allmänna säkerhetsvarningar för maskiner

⚠ VARNING: Läs alla säkerhetsvarningar, anvisningar, illustrationer och specifikationer som medföljer det här maskinen. Underlåtenhet att följa instruktionerna kan leda till elstöt, brand och/eller allvarliga personskador.

Spara alla varningar och instruktioner för framtida referens.

Termen "maskin" som anges i varningarna hänvisar till din eldrivna maskin (sladdansluten) eller batteridrivna maskin (sladdlös).

Säkerhetsvarningar för batteridrivna slipmaskin

Säkerhetsvarningar för slipning, stålborstning eller abrasiv skärning:

1. Den här maskinen är utformad för att användas för slipning, stålborstning eller som skärverktyg. Läs alla säkerhetsvarningar, anvisningar, illustrationer och specifikationer som medföljer den här maskinen. Underlåtenhet att följa instruktionerna kan leda till elstöt, brand och/eller allvarliga personskador.
2. Den här maskinen rekommenderas inte för poleringsarbeten. Om maskinen används till andra arbeten än de avsedda, kan det orsaka fara och personskada.

3. Använd inte tillbehör som inte är särskilt tillverkade och rekommenderade av maskinens tillverkare. Även om ett tillbehör kan fästas på maskinen garanterar detta inte säker funktion.
4. Tillbehörets nominella varvtal måste vara minst lika med det maximala varvtalet som anges på verktyget. Tillbehör som används över det nominella varvtalet kan gå sönder och orsaka skador.
5. Tillbehörets ytterdiameter och tjocklek måste vara anpassad till elverktygets kapacitetsklassning. Tillbehör i olämplig storlek kan inte skyddas eller styras tillräckligt väl.
6. Gångorna på tillbehör som monteras måste stämma överens med spindelgångarna på slipmaskinen. För tillbehör som monteras med flänsar måste tillbehörets centrumhål passa i flänsens lokaliseringsdiameter. Tillbehör som inte passar exakt på maskinens monteringsbeslag roterar ojämnt, vibrerar kraftigt och kan leda till att du förlorar kontrollen.
7. Använd inte ett skadat tillbehör. Kontrollera tillbehör som slipdeller efter hack och sprickor, underlagsplattor efter sprickor, slitage och stålborstar efter lösa eller brutna trådar. Om du tappar maskinen eller ett tillbehör ska du kontrollera att det inte har uppstått några skador, eller så ska tillbehöret bytas ut mot ett oskadat. Efter kontroll och montering av tillbehöret ska du och åskådare hålla er borta från det roterande tillbehöret samtidigt som du kör maskinen på full fart utan last i en minut. Skadade tillbehör går normalt sönder under den här testtiden.
8. Använd personlig skyddsutrustning. Använd visir, korgglasögon eller skyddsglasögon beroende på arbetsuppgift. Använd vid behov dammskydd, hörselskydd, handskar och skyddsförkläde som stoppar små bitar slipmaterial eller fragment från arbetssyftet. Ögonskyddet måste kunna stoppa flygande fragment som uppstår vid olika arbeten. Dammskyddet eller andningsskyddet måste kunna filtrera partiklar som uppstår vid olika arbeten. Lång tid i kraftigt buller kan orsaka hörselskador.
9. Håll personer i omgivningen på säkert avstånd från arbetsområdet. Alla som befinner sig i arbetsområdet måste använda skyddsutrustning. Delar av arbetsstycket eller defekta tillbehör kan flyga iväg och orsaka skador utanför arbetsområdet.
10. Håll maskinen endast i de isolerade handtagen om det finns risk för att skärverktyget kan komma i kontakt med en dold elkabel. Om skärverktyget kommer i kontakt med en strömförande ledning blir maskinens metalldelar strömförande och kan ge användaren en elektrisk stöt.
11. Lägg aldrig elverktyget åt sidan förrän det har stannat helt. Det roterande tillbehöret kan gripa tag i underlaget och du kan förlora kontrollen över maskinen.
12. Kör inte verktyget samtidigt som du bär det. Oavsiktlig kontakt med det roterande tillbehöret kan leda till att det fastnar i dina kläder och dras in mot kroppen.
13. Rengör regelbundet verktygets ventilationsöppningar. Motors fläkt suger in damm i höljet och överdriven ansamling av pulveriserad metall kan orsaka elektrisk fara.

- Använd inte verktyget i närheten av lättantändliga material.** Gnistor kan antända dessa material.
- Använd inte tillbehör som kräver flytande kylvätskor.** Att använda vatten eller andra flytande kylvätskor kan orsaka dödsfall eller elektriska stötar.
- Kapskivorna får endast användas till rekommenderade arbetsuppgifter. Till exempel: Slipa inte med en kapskivas utsida.** Slipande kapskivor är avsedda för periferislipning. Sidokrafter kan spränga sådana skivor.
- Använd alltid oskadade skivflänsar i rätt storlek och form till din skiva.** Rätt skivflänsar stöder kapskivan och minskar därigenom risken för att skivan går sönder. Flänsar till kapskivor kan skilja sig från flänsar till slipskivor.

Bakåtkast och relaterade varningar

Bakåtkast är en plötslig reaktion på fastnytt roterande hjul, underlagsplatta, borste eller annat tillbehör. Nyp och kärvning orsakar stegring av det roterande tillbehöret, och orsakar i sin tur att den okontrollerade maskinen tvingas i motsatt riktning vid kärvningspunkten.

Om till exempel en slipskiva fastnar i eller kläms fast av arbetsstycket kan skivans kapande kant gräva sig in i materialytan vid klämpunkten, vilket leder till att skivan klättrar eller kastas tillbaka. Skivan kan antingen hoppa mot eller från användaren, beroende på skivans rörelseriktning vid klämpunkten. Slipskivorna kan även gå sönder under dessa omständigheter.

Bakåtkast beror på ovarsamhet och/eller felaktiga arbetsrutiner, och kan undvikas genom att vidta nedanstående förebyggande åtgärder.

- Se till att hålla verktyget i ett fast grepp och placera kroppen och din arm på ett sätt som gör att du kan stå emot kraften från bakåtkast.** Använd alltid ett extrahandtag, om sådant finns, för maximal kontroll vid bakåtkast eller vridrörelsen vid start. Användaren kan kontrollera vridrörelsen eller krafterna vid bakåtkast om rätt försiktighetsåtgärder vidtas.
- Placera aldrig din hand nära det roterande tillbehöret.** Tillbehöret kan kastas bakåt över din hand.
- Ställ dig inte där maskinen kommer att förflytta sig i händelse av bakåtkast.** Bakåtkast driver verktyget i motsatt riktning till kapskivans rörelse vid kärvningspunkten.
- Var extra försiktig när du bearbetar hörn, vassa kanter osv. Undvik att studsas och stöta tillbehöret.** Hörn, skarpa kanter eller studsning har en tendens att klämma det roterande tillbehöret och orsaka förlorad kontroll eller bakåtkast.
- Montera inte en sågkedja, snidarblad eller ett tandat sågblad.** Sådana blad orsakar ofta bakåtkast och förlorad kontroll.

Säkerhetsvarningar för slipning och abrasiv skärning:

- Använd endast de skivor som rekommenderas för din maskin och det särskilda sprängskyddet för skivan.** Skivor som inte tillverkats för maskinen kan inte skyddas tillräckligt och är inte tillförlitliga.
- Slipynt på nedsänkta skivor måste monteras under planet från sprängskyddets kant.** En felaktigt monterad skiva som sticker utanför planet från sprängskyddets kant är inte tillräckligt skyddad.
- Sprängskyddet måste vara ordentligt fäst vid maskinen och placerat för maximal säkerhet, så att minsta möjliga yta av skivan är öppen mot användare.** Sprängskyddet skyddar användaren mot träsiga skivdelar, oavsiktlig kontakt med skivan och gnistor som kan antända kläder.

- Ytterligare särskilda säkerhetsvarningar för abrasiv skärning:**
 - "Pressa" inte skivan eller utsätt den för överdrivet tryck. Försök inte att göra ett alltför stort kapdjup.** Om kapskivan överbelastas ökar belastningen och risken för att skivan vrids eller fastnar i kapet samt risken för bakåtkast eller att skivan går sönder.
 - Placera inte din kropp längs med eller bakom den roterande skivan.** När skivan rör sig ifrån dig, kan ett bakåtkast skicka den roterande skivan och maskinen mot dig.
 - Om kapskivan kärvar eller om ett kap avbryts stänger du av elverktyget och håller det stilla tills skivan har stannat helt. Försök aldrig att ta ut kapskivan ur skåret när skivan är i rörelse, för att undvika bakåtkast.** Undersök och vidta korrigeringsåtgärder för att eliminera orsaken till att kapskivan fastnar.
 - Starta inte om kapningen med verktyget kvar i arbetsstycket. Låt maskinen nå full hastighet och gå tillbaka i skåret.** Kapskivan kan fastna, vandra uppåt eller kastas bakåt om elverktyget startas om i arbetsstycket.
 - Stötta långa eller stora arbetsstycken för att minimera risken för att kapskivan fastnar och kastas bakåt.** Stora arbetsstycken tenderar att svikta på grund av sin egen vikt. Stöd måste placeras under arbetsstycket nära såglinjen och nära arbetsstyckets kanter på båda sidorna om kapskivan.
 - Var extra försiktig vid genomstickssågning i en befintlig vägg eller andra dolda utrymmen.** Den utskjutande kapskivan kan kapa gas- eller vattenledningar, elledningar eller föremål som kan orsaka bakåtkast.

Säkerhetsvarningar särskilt vid slipning:

- Använd inte för stora slipskivor. Följ tillverkarens rekommendationer när du väljer slipskiva.** Större slippapper som sticker ut utanför underlaget ger risk för rivning och kan orsaka kärvning, rivning av skivan eller bakåtkast.

Säkerhetsvarningar särskilt vid stålborstning:

- Var uppmärksam på att trådbitar kastas ut från borsten även vid normal användning. Överbelasta inte trådarna genom att anlägga onödigt stor kraft mot borsten.** Trådarna kan enkelt gå igenom tunnare klädsel och/eller huden.
- Om användning av skydd rekommenderas vid stålborstning får inte borsten kvas eller borsten gå emot skyddet.** Borstens diameter kan expandera på grund av belastningen eller centrifugalkraften.

Ytterligare säkerhetsvarningar:

1. Vid användning av nedsänkta center-rondeller ska endast glasfiberförstärkta rondeller användas.
2. **ANVÄND ALDRIG** sten-skålskivor med denna slipmaskin. Denna slipmaskin är inte konstruerad för denna typ av skivor och användningen av dessa kan resultera i allvarlig personskada.
3. Var försiktig så att inte spindeln, flänsen (i synnerhet monteringsytan) eller låsmuttern skadas. Skador på någon av dessa delar kan medföra att rondellen förstörs.
4. Se till att rondellen inte är i kontakt med arbetsstycket när du trycker på avtryckaren.
5. Låt verktyget vara igång en stund innan det används på arbetsstycket. Kontrollera att skivan inte vibrerar eller skakar, vilket kan innebära att den är felaktigt monterad eller dåligt balanserad.
6. Slipa endast med den del av rondellen som är avsedd för slipning.
7. Lämna inte maskinen igång. Använd endast maskinen när du håller den i händerna.
8. Rör inte vid arbetsstycket omedelbart efter arbetet. Det kan vara extremt varmt och orsaka brännskador.
9. Rör inte vid tillbehör omedelbart efter arbetet. Det kan vara extremt varmt och orsaka brännskador.
10. Följ tillverkarens anvisningar för korrekt montering och användning av rondeller. Hantera rondellerna varsamt och förvara dem på en säker plats.
11. Använd inte separata reducerhylsor eller adapterar för att kunna använda sliprondeller med större hål.
12. Använd endast flänsar som är avsedda för den här maskinen.
13. Kontrollera att gänglängden i rondellen är tillräckligt lång för spindellängden om rondellen är avsedd att gängas fast.
14. Kontrollera att arbetsstycket är ordentligt fastsatt.
15. Tänk på att rondellen fortsätter att rotera efter att maskinen stängts av.
16. Om arbetsplatsen är extremt varm och fuktig, eller har hög koncentration av elektriskt ledande damm, ska jordfelsbrytare (30 mA) användas för användarens säkerhet.
17. Använd inte maskinen för material som innehåller asbest.
18. Använd alltid föreskrivet dammuppsamlande sprängskydd när du arbetar med kapskiva.
19. Kapskivor får inte utsättas för sidokrafter.
20. Använd inte arbetshandskar i tyg när du arbetar med maskinen. Fibrer från tyghandskar kan komma in i maskinen och orsaka fel.
21. Se till att det inte finns några elkablar, vattenrör, gasledningar etc. som kan orsaka fara om de skadas av verktyget.

⚠ VARNING: GLÖM INTE att också fortsättningsvis strikt följa säkerhetsanvisningarna för maskinen även efter att du blivit van att använda den. Vid **FELAKTIG HANTERING** av maskinen eller om inte säkerhetsanvisningarna i denna bruksanvisning följs kan följande bli allvarliga personskador.

Viktiga säkerhetsanvisningar för batterikassetten

1. Innan batterikassetten används ska alla instruktioner och varningsmärken på (1) batteriladdaren, (2) batteriet och (3) produkten läsas.
2. **Montera inte isär eller mixtra med batterikassetten.** Det kan leda till brand, överdriven värme eller explosion.
3. Om drifttiden blivit avsevärt kortare ska användningen avbrytas omedelbart. Det kan uppstå överhettning, brännskador och t o m explosion.
4. Om du får elektrolyt i ögonen ska de sköljas med rent vatten och läkare uppsökas omedelbart. Det finns risk för att synen förloras.
5. Kortslut inte batterikassetten.
 - (1) Rör inte vid polerna med något strömförande material.
 - (2) Undvik att förvara batterikassetten tillsammans med andra metallobjekt som t.ex. spikar, mynt o.s.v.
 - (3) Skydda batteriet mot vatten och regn. En batterikortslutning kan orsaka ett stort strömflöde, överhettning, brand och maskinhaveri.
6. Förvara och använd inte verktyget och batterikassetten på platser där temperaturen kan nå eller överstiga 50 °C.
7. Bränn inte upp batterikassetten även om den är svårt skadad eller helt utsliten. Batterikassetten kan explodera i öppen eld.
8. **Spika inte i, krossa, kasta, tappa eller slå batterikassetten mot hårda föremål.** Dylåka händelser kan leda till brand, överdriven värme eller explosion.
9. **Använd inte ett skadat batteri.**
10. **De medföljande litiumjonbatterierna är föremål för kraven i gällande lagstiftning för farligt gods.**

För kommersiella transporter (av t.ex. tredje parter som speditorsfirmor) måste de särskilda transportkrav som anges på emballaget och etiketter iakttas.

För att förbereda den produkt som ska avsändas krävs att du konsulterar en expert på riskmaterial. Var också uppmärksam på att det i ditt land kan finnas ytterligare föreskrifter att följa.

Tejpa över eller maskera blottade kontakter och packa batteriet på sådant sätt att det inte kan röra sig fritt i förpackningen.

SPARA DESSA ANVISNINGAR.

- När batterikassetten ska kasseras måste den tas bort från maskinen och kasseras på ett säkert sätt. Följ lokala föreskrifter beträffande avfallshantering av batterier.
- Använd endast batterierna med de produkter som specificerats av Makita. Att använda batterierna med ej godkända produkter kan leda till brand, överdriven värme, explosion eller utläckande elektrolyt.
- Om maskinen inte används under en lång tid måste batteriet tas bort från maskinen.
- Under och efter användning kan batterikassetten bli het vilket kan orsaka brännskador eller lättare brännskador. Var uppmärksam på hur du hanterar varma batterikassetter.
- Vidrör inte verktygets kontakter direkt efter användning eftersom de kan bli heta och orsaka brännskador.
- Låt inte flisor, damm eller smuts fastna i kontaktorna, i håll eller spår i batterikassetten. Det kan leda till dålig prestanda eller till att verktyget eller batterikassetten går sönder.
- Såvida inte verktyget stöder arbeten i närheten av högspänningsledning får batterikassetten inte användas i närheten av en högspänningsledning. Det kan leda till att verktyget eller batterikassetten går sönder eller inte fungerar korrekt.
- Förvara batteriet utom räckhåll för barn.

SPARA DESSA ANVISNINGAR.

⚠ FÖRSIKTIGT: Använda endast äkta Makita-batterier. Användning av oäkta Makita-batterier eller batterier som har manipulerats kan leda till person- och utrustningsskador eller till att batteriet fattar eld. Det upphäver också Makitas garanti för verktyget och laddaren.

Tips för att uppnå batteriets maximala livslängd

- Ladda batterikassetten innan den är helt urladdad. Stanna alltid maskinen och ladda batterikassetten när du märker att maskinen blir svagare.
- Ladda aldrig en fulladdad batterikassett. Överladdning förkortar batteriets livslängd.
- Ladda batterikassetten vid en rumstemperatur på 10 °C - 40 °C. Låt en varm batterikassett svalna innan den laddas.
- När batterikassetten inte används ska den tas bort från verktyget eller laddaren.
- Ladda batterikassetten om du inte har använt den på länge (mer än sex månader).

FUNKTIONSBESKRIVNING

⚠ FÖRSIKTIGT: Se alltid till att maskinen är avstängd och batterikassetten borttagen innan du justerar maskinen eller kontrollerar dess funktioner.

Montera eller demontera batterikassetten

⚠ FÖRSIKTIGT: Stäng alltid av maskinen innan du monterar eller tar bort batterikassetten.

⚠ FÖRSIKTIGT: Håll stadigt i maskinen och batterikassetten när du monterar eller tar bort batterikassetten. I annat fall kan det leda till att de glider ur dina händer och orsakar skada på maskinen och batterikassetten samt personskada.

► Fig.1: 1. Röd indikator 2. Knapp 3. Batterikassett

Ta bort batterikassetten genom att skjuta ner knappen på kassetts framsida samtidigt som du drar ut batterikassetten.

Sätt in batterikassetten genom att rikta in tungan på batterikassetten mot spåret i höljet och skjuta den på plats. Tryck in kassetten hela vägen tills den låser fast med ett klick. Om du kan se den röda indikatorn på knappens ovansida är den inte låst ordentligt.

⚠ FÖRSIKTIGT: Sätt alltid i batterikassetten helt tills den röda indikatorn inte längre syns. I annat fall kan den oväntat falla ur verktyget och skada dig eller någon annan.

⚠ FÖRSIKTIGT: Montera inte batterikassetten med våld. Om kassetten inte lätt glider på plats är den felinsatt.

Indikerar kvarvarande batterikapacitet

Tryck på kontrollknappen på batterikassetten för att se kvarvarande batterikapacitet. Indikatorlamporna lyser i ett par sekunder.

► Fig.2: 1. Indikatorlampor 2. Kontrollknapp

Indikatorlampor			Kvarvarande kapacitet
Upplyst	Av	Blinkar	
■	□	◐	75% till 100%
■	■	□	50% till 75%
■	□	□	25% till 50%
■	□	□	0% till 25%
◐	□	□	Ladda batteriet.
■	■	□	Batteriet kan ha skadats.
□	□	■	

OBS: Beroende på användningsförhållanden och den omgivande temperaturen kan indikationen skilja sig lätt från den faktiska batterikapaciteten.

OBS: Den första (längst till vänster) indikatorlampan kommer att blinka när batteriskyddssystemet fungerar.

Skyddssystem för maskinen/ batteriet

Verktyget är utrustat med ett skyddssystem för verktyget/batteriet. Detta system bryter automatiskt strömmen till motorn för att förlänga verktygets och batteriets livslängd. Verktyget stoppar automatiskt under användningen om verktyget eller batteriet hamnar i en av följande situationer:

Överbelastningsskydd

Om verktyget/batteriet används på ett sätt som gör att det drar onormalt mycket ström kan det stoppas automatiskt utan varning. När detta sker stänger du av verktyget och upphör med arbetet som gjorde att verktyget överbelastades. Starta därefter upp verktyget igen.

Överhettningsskydd

När verktyget/batteriet överhettas stoppas verktyget automatiskt. Låt verktyget svalna innan du startar den igen.

Överurladdningsskydd

När batteriets kapacitet är otillräcklig stoppar maskinen automatiskt. I sådant fall ska batteriet tas ur maskinen och laddas.

Frigöra skyddslåset

När skyddssystemet arbetar flera gånger låses verktyget. I denna situation startar inte maskinen även om den slås av och sedan på igen. För att frigöra skyddslåset tar du ur batteriet, sätter det i batteriladdaren och väntar tills laddningen är klar.

Spindellås

Tryck ned spindellåset för att förhindra att spindeln roterar när du monterar eller tar bort tillbehör.

► **Fig.3:** 1. Spindellås

OBSERVERA: Aktivera aldrig spindellåset medan spindeln rör sig. I annat fall kan maskinen skadas.

Avtryckarens funktion

⚠FÖRSIKTIGT: Innan du sätter tillbaka batterikassetten i maskinen ska du alltid kontrollera att skjutknappen fungerar och återgår till läget "OFF" när du trycker på den bakre delen av skjutknappen.

⚠FÖRSIKTIGT: Knappen kan låsas i läge "ON" för att underlätta användning när maskinen används under längre tid. Var försiktig när du låser maskinen i läget "ON", och fortsätt hålla ett stadigt grepp om maskinen.

Starta verktyget genom att trycka ner skjutreglaget bakånde och sedan skjuta den mot läget "I (PA)". För oavbruten körning trycker du på skjutreglets framände så det blir låst.

► **Fig.4:** 1. Skjutknapp

Stoppa verktyget genom att trycka på skjutreglets bakände så att det återgår till läget "O (AV)".

► **Fig.5:** 1. Skjutknapp

Funktion för att förhindra oavsiktlig omstart

När batterikassetten sätts i och skjutknappen är i läget "I (ON)" startar inte verktyget.

Starta maskinen genom att först föra skjutknappen till läget "O (OFF)" och sedan till läget "I (ON)".

Funktion för elektronisk vridmomentskontroll

Maskinen identifierar situationer på elektronisk väg där hjul eller tillbehör riskerar att fastna. I en sådan situation stängs maskinen automatiskt av för att förhindra att spindeln roterar ytterligare (emellertid förhindras inte bakåtkast).

För att starta om maskinen stänger du först av den, avlägsnar orsaken till den plötsliga minskningen av rotationshastigheten, och slår sedan på maskinen igen.

Mjukstartfunktion

Mjukstartfunktionen dämpar startchocken.

MONTERING

⚠FÖRSIKTIGT: Se alltid till att maskinen är avstängd och batterikassetten borttagen innan du justerar maskinen eller kontrollerar dess funktioner.

Montera sidohandtaget

⚠FÖRSIKTIGT: Kontrollera alltid att sidohandtaget sitter fast ordentligt innan arbetet påbörjas.

Skruva fast sidohandtaget ordentligt på rätt plats på maskinen enligt figuren.

► **Fig.6**

Montera eller demontera sprängskyddet

⚠ VARNING: När en sliprondell med försänkt nav, lamellslipskiva, flexibel rondell eller skivstålborste används måste sprängskyddet monteras på maskinen så att den slutna sidan alltid är vänd mot användaren.

⚠ VARNING: Se till att sprängskyddet är ordentligt låst med låsspaken med ett av hålen i sprängskyddet.

⚠ VARNING: Vid användning av en kap-/diamantskiva ska du vara noga med att endast använda det speciella sprängskydd som är avsett för användning tillsammans med kapskivor.

(I vissa europeiska länder kan det vanliga sprängskyddet användas tillsammans med diamantskivan. Följ föreskrifterna i ditt land.)

För rondell med försänkt navrondell, lamellskiva, flexibel rondell, skivstålborste/kapskiva, diamantskiva

1. När du trycker på låsspaken monterar du sprängskyddet så att de utskjutande delarna på sprängskyddets band passar in i uttagen på lagerhuset.

► **Fig.7:** 1. Låsspak 2. Skåra 3. Utsprång

2. När du trycker låsspaken mot A, skjuter du in sprängskyddet genom att hålla ner delarna B enligt vad som visas på bilden.

► **Fig.8:** 1. Sprängskydd 2. Hål

OBS: Tryck sprängskyddet rakt ner. I annat fall kan du inte trycka ner sprängskyddet helt.

3. Medan du håller låsspaken och sprängskyddets position som beskrivs i steg 2, rotera sprängskyddet mot C, och därefter ändrar du vinkeln på sprängskyddet i enlighet med arbetsstycket så operatören är skyddad. Passa in låsspaken med ett av hålen i sprängskyddet, och lossa sedan låsspaken för att låsa sprängskyddet.

► **Fig.9:** 1. Sprängskydd 2. Hål

OBS: Tryck sprängskyddet helt. I annat fall kan du inte rotera sprängskyddet.

Gör på omvänt sätt för att ta bort sprängskyddet.

Montera eller ta bort sliprondell med försänkt nav eller lamellslipskiva

Valfria tillbehör

⚠ VARNING: När en sliprondell med försänkt nav eller lamellslipskiva används, måste sprängskyddet monteras på maskinen så att den slutna sidan alltid är vänd mot användaren.

⚠ FÖRSIKTIGT: Se till att den monterade delen av den inre flänsen passar perfekt in i den inre diametern av den försänkta navrondellen/lamellskivan. Montering av den inre flänsen på fel sida kan leda till farliga vibrationer.

Montera den inre flänsen på spindeln. Se till att den buktade delen av den inre flänsen monteras på den raka delen längst ned på spindeln.

Passa in den försänkta navrondellen/lamellskivan på den inre flänsen och skruva på låsmuttern på spindeln.

► **Fig.10:** 1. Låsmutter 2. Försänkt navrondell 3. Inre fläns 4. Monteringsdel

Tryck in spindellåset ordentligt för att dra fast låsmuttern så att spindeln inte kan rotera. Använd sedan tappnyckeln för att dra åt ytterligare.

► **Fig.11:** 1. Tappnyckel för låsmutter 2. Spindellås

Gör på omvänt sätt för att ta bort rondellen.

Montera eller ta bort flexibel rondell

Valfria tillbehör

⚠ VARNING: Använd alltid det medföljande skyddet när en flexibel rondell är monterad på maskinen. Skivan kan splittras under användningen och skyddet minskar risken för personskador.

► **Fig.12:** 1. Låsmutter 2. Flexibel rondell 3. Stödplatta 4. Inre fläns

Följ anvisningarna för försänkt navrondell, men använd även en stödplatta över skivan. Se monteringssekvensen på tillbehörssidan i denna bruksanvisning.

Montera eller ta bort sliprondell

Valfria tillbehör

► **Fig.13:** 1. Låsmutter för slipning 2. Sliprondell 3. Gummidyana

1. Fäst gummidynan på spindeln.

2. Passa in rondellen över gummidynan och skruva fast låsmuttern för slipning på spindeln.

3. Håll i spindeln med spindellåset och dra åt låsmuttern för slipning ordentligt med tappnyckeln.

Följ monteringsanvisningarna i denna ordning för att ta bort rondellen.

OBS: Använd endast slipningstillbehör som specificeras i denna bruksanvisning. Dessa måste köpas separat.

Montering eller demontering av Ezynut

Valfria tillbehör

⚠ FÖRSIKTIGT: Använd inte Ezynut med superfläns eller med vinkelslipmaskin med "F" i slutet av modellnumret. Dessa flänsar är så tjocka att hela gången inte kan hållas av spindeln.

► **Fig.14:** 1. Ezynut 2. Slipskiva 3. Innerfläns 4. Spindel

Montera innerflänsen, slipskivan och Ezynut på spindeln så att Makitas logotyp på Ezynut är vänd utåt.

► **Fig.15:** 1. Spindellås

Tryck in spindellåset och dra åt Ezynut genom att vrida slipskivan medurs så långt som den går att vrida.

Vrid Ezynut:s ytterring moturs för att lossa den.

► **Fig.16:** 1. Pil 2. Ås

► **Fig.17**

OBS: Ezynut kan lossas för hand så länge som pilen är riktad mot skåran. Annars behövs det en tappnyckel för att lossa den. Sätt in en tappnyckels stift i ett av hålen och vrid Ezynut moturs.

Installation av kap-/diamantskiva

Valfria tillbehör

⚠ VARNING: Vid användning av en kap-/diamantskiva ska du vara noga med att endast använda det speciella sprängskydd som är avsett för användning tillsammans med kapskivor.

(I vissa europeiska länder kan det vanliga sprängskyddet användas tillsammans med diamantskivan. Följ föreskrifterna i ditt land.)

⚠ VARNING: Använd ALDRIG kapskivor för sidoslipning.

- **Fig.18:** 1. Låsmutter 2. Kap-/diamantskiva 3. Inre fläns 4. Sprängskydd för kap-/diamantskiva

Följ anvisningarna för den försänkta navrondellen för montering. Riktningen för att montera låsmuttern och den inre flänsen varierar beroende på skivans typ och tjocklek. Se följande figurer.

När du monterar kapskivan:

- **Fig.19:** 1. Låsmutter 2. Kapskiva (tunnare än 4 mm) 3. Kapskiva (4 mm eller tjockare) 4. Inre fläns

När du monterar diamantskivan:

- **Fig.20:** 1. Låsmutter 2. Diamantskiva (tunnare än 4 mm) 3. Diamantskiva (4 mm eller tjockare) 4. Inre fläns

Installation av skålformad stålborste

Valfria tillbehör

⚠ FÖRSIKTIGT: Använd inte en borste som är skadad eller obalanserad. Användning av en skadad borste kan öka risken för skador på grund av kontakt med trasiga borstrådar.

- **Fig.21:** 1. Skålformad stålborste

Ta ut batterikassetten ur verktyget och ställ det upp och ned för att underlätta att komma åt spindeln. Ta bort eventuella tillbehör på spindeln. Trä den skålformade stålborsten på spindeln och dra åt med medföljande nyckel.

Installation av skivstålborste

Valfria tillbehör

⚠ FÖRSIKTIGT: Använd inte en skivstålborste som är skadad eller obalanserad. Användning av en skadad skivstålborste kan öka risken för skador på grund av kontakt med trasiga borstrådar.

⚠ FÖRSIKTIGT: Använd ALLTID skydd tillsammans med skivstålborstar och kontrollera att skivdiametern passar innanför skyddet. Skivan kan splittras under användningen och skyddet minskar risken för personskadorna.

- **Fig.22:** 1. Skivstålborste

Ta ut batterikassetten ur verktyget och ställ det upp och ned för att underlätta att komma åt spindeln. Ta bort eventuella tillbehör på spindeln. Montera skivstålborsten på spindeln och dra åt med nycklarna.

ANVÄNDNING

⚠ VARNING: Tänk på att aldrig tvinga maskinen. Maskinens vikt ska utgöra ett tillräckligt tryck. Tvång eller överdrivet tryck kan resultera i farliga rondellbrott.

⚠ VARNING: Byt ALLTID ut rondellen om den har tappats under slipning.

⚠ VARNING: Slå ALDRIG med rondellen eller skivan på arbetsstycket.

⚠ VARNING: Undvik att studsas eller hacka med rondeller, i synnerhet i närheten av hörn, skarpa kanter osv. Det är lätt att i dessa situationer förlora kontrollen över maskinen så att den kastas bakåt.

⚠ VARNING: Använd ALDRIG maskinen med sågklingor avsedda för trä eller andra sågblad. Att använda sådana klingor i slipmaskiner innebär stor risk för bakåtkast som kan förorsaka personskadorna.

⚠ FÖRSIKTIGT: Starta aldrig maskinen när denna är i kontakt med arbetsstycket. Det kan orsaka personskadorna.

⚠ FÖRSIKTIGT: Använd alltid skyddsglasögon eller visir under arbetet.

⚠ FÖRSIKTIGT: När du är klar med arbetet ska du vänta tills rondellen stannat helt innan du lägger maskinen åt sidan.

⚠ FÖRSIKTIGT: Håll ALLTID maskinen i ett fast grepp med ena handen på huset och den andra på sidohandtaget.

Slipning av trä och metall

- **Fig.23**

Starta maskinen och för rondellen eller skivan mot arbetsstycket. I allmänhet är det lämpligt att hålla kanten på skivan/rondellen i ungefär 15° vinkel mot arbetsstycket. Under inkörning av en ny skiva/rondell ska slipmaskinen inte föras i en framåtriktning eftersom den då kan köra fast i arbetsstycket. När kanten på skivan/rondellen har rundats av kan den användas i båda riktningarna (framåt och bakåt).

Användning av kap-/diamantskiva

Valfria tillbehör

⚠ VARNING: "Pressa" inte skivan eller utsätt den för överdrivet tryck. Försök inte att göra ett alltför stort kapdjup. Överbelastning av skivan ökar trycket och risken för att skivan vrids eller fastnar i skåret vilket kan orsaka bakåtkast, sprucken skiva och överhettad motor.

⚠ VARNING: Starta inte skärningen med maskinen i arbetsstycket. Låt skivan komma upp i full hastighet och för den försiktigt in i skåret genom att föra maskinen framåt över arbetsstyckets yta. Skapskivan kan fastna, vandra uppåt eller kastas bakåt om elverktyget startas om i arbetsstycket.

⚠ VARNING: Under skärningen får skivans vinkel aldrig ändras. Sidotryck på kapskivan (som vid slipning) medför att skivan spricker och sprängs, vilket kan leda till svåra personskadorna.

⚠ VARNING: En diamantskiva ska arbetas vinkelrätt mot det material som ska kapas.

Användningsexempel: användning med slipande kapskiva
► Fig.24

Användningsexempel: användning med diamantskiva
► Fig.25

Användning av den skålformade stålborsten

Valfria tillbehör

⚠ FÖRSIKTIGT: Kontrollera hur borsten fungerar genom att köra maskinen utan belastning och försäkra dig om att ingen finns framför eller i linje med borsten.

OBSERVERA: Undvik att använda för mycket tryck vilket gör att trådarna böjs för mycket vid användning av den skålformade stålborsten. Det kan leda till förtida slitage.

Användningsexempel: användning med skålformad stålborste
► Fig.26

Användning av skivstålborsten

Valfria tillbehör

⚠ FÖRSIKTIGT: Kontrollera hur skivstålborsten fungerar genom att köra maskinen utan belastning och försäkra dig om att ingen finns framför eller i linje med skivstålborsten.

OBSERVERA: Undvik att använda för mycket tryck vilket gör att trådarna böjs för mycket vid användning av skivstålborsten. Det kan leda till att borsten förbrukas i förtid.

Användningsexempel: användning med skivstålborste
► Fig.27

UNDERHÅLL

⚠ FÖRSIKTIGT: Se alltid till att maskinen är avstängd och batterikassetten borttagen innan inspektion eller underhåll utförs.

OBSERVERA: Använd inte bensin, förtunningsmedel, alkohol eller liknande. Missfärgning, deformation eller sprickor kan uppstå.

För att upprätthålla produktens SÄKERHET och TILLFÖRLITLIGHET bör allt underhålls- och justeringsarbete utföras av ett auktoriserat Makita servicecenter och med reservdelar från Makita.

Rengöring av ventilationsöppningar

Håll maskinen och luftventilerna rena. Rengör maskinens ventiler regelbundet eller så snart ventilationen försämras.

► Fig.28: 1. Utblås 2. Inlopp

Ta bort dammskyddet från ventilationsinloppet och rengör det för jämn luftcirkulation.

► Fig.29: 1. Dammkåpa

OBSERVERA: Rengör dammskyddet när det är igensatt med damm eller främmande material. Om du fortsätter att använda maskinen med ett igensatt dammskydd kan den skadas.

VALFRIA TILLBEHÖR

⚠ FÖRSIKTIGT: Följande tillbehör eller tillsatser rekommenderas för användning med den Makita-maskin som denna bruksanvisning avser. Om andra tillbehör eller tillsatser används kan det uppstå risk för personskador. Använd endast tillbehören eller tillsatserna för de syften de är avsedda för.

Kontakta ditt lokala Makita servicecenter om du behöver ytterligare information om dessa tillbehör.

- Makitas originalbatteri och -laddare

► Fig.30

-	Modell med 150 mm (6")
1	Grepp 36
2	Sprängskydd (för slipskiva)
3	Inre fläns
4	Försänkt navrondell/lamellskiva
5	Låsmutter
6	Stödplatta
7	Flexibel rondell
8	Gummiplatta 125
9	Sliprondell
10	Låsmutter för slipning
11	Skivstålborste
12	Skålformad stålborste
13	Sprängskydd (för kapskiva) *1
14	Kap-/diamantskiva
-	Tappnyckel för låsmutter

OBS: *1 I vissa europeiska länder kan det vanliga sprängskyddet användas tillsammans med diamantskivan istället för det speciella sprängskyddet som täcker båda sidorna av skivan. Följ föreskrifterna i ditt land.

OBS: Några av tillbehören i listan kan vara inkluderade i maskinpaketet som standardtillbehör. De kan variera mellan olika länder.

TEKNISKE DATA

Modell:		GA035G
Hjuldiameter		150 mm (6")
Maks. hjultykkelse		6,4 mm
Spindelgjenger		M14 eller 5/8" (landsspesifikt)
Angitt hastighet (n)		8 500 min ⁻¹
Total lengde	med BL4025	398 mm
	med BL4040	410 mm
Nettvekt		3,0 – 3,7 kg
Merkespenning		DC 36 V - 40 V maks

- På grunn av vårt kontinuerlige forsknings- og utviklingsprogram kan spesifikasjonene som oppgis i dette dokumentet endres uten varsel.
- Spesifikasjonene kan variere fra land til land.
- Vekten kan variere avhengig av tilbehøret/tilbehørene, inkludert batteriet. Den letteste og tyngste kombinasjonen, i henhold til EPTA-prosedyre 01/2014, vises i tabellen.

Passende batteri og lader

Batteriinnsett	BL4025 / BL4040
Lader	DC40RA

- Noen av batteriene og laderne som er opplistet ovenfor er kanskje ikke tilgjengelige, avhengig av hvor du bor.

⚠ ADVARSEL: Bruk kun de batteriene og laderne som er opplistet ovenfor. Bruk av andre batterier og ladere kan føre til personskader og/eller brann.

Riktig bruk

Verktøyet er beregnet på sliping, pussing, stålborsting og kutting av metall og steinmaterialer uten bruk av vann.

Støy

Typisk A-vektet lydtryknivå er bestemt i henhold til EN60745-2-3:
 Lydtryknivå (L_{pA}): 82 dB (A)
 Lydeffektnivå (L_{WA}): 93 dB (A)
 Usikkerhet (K): 3 dB (A)

MERK: Den/de oppgitte verdi(e) for genererte vibrasjoner har blitt målt i henhold til standard testmetoder, og kan bli brukt til å sammenligne ett verktøy med et annet.

MERK: Den/de angitte verdi(e) for de genererte vibrasjonene kan også brukes til en foreløpig vurdering av eksponeringen.

⚠ ADVARSEL: Bruk hørselsvern.

⚠ ADVARSEL: De genererte vibrasjonene ved faktisk bruk av elektroverktøyet kan avvike fra den/de angitte vibrasjonsverdien(e), avhengig av hvordan verktøyet brukes.

⚠ ADVARSEL: Sørg for å identifisere vernetiltak for å beskytte operatøren, som er basert på et estimat av eksponeringen under de faktiske bruksforholdene (idet det tas hensyn til alle deler av driftssyklusen, dvs. hvor lenge verktøyet er slått av, hvor lenge det går på tomgang og hvor lenge startbryteren faktisk holdes trykket).

Vibrasjoner

Den totale vibrasjonsverdien (triaksial vektorsum) bestemt i henhold EN60745-2-3:

Arbeidsmodus: overflatesliping med normalt sidegrep

Genererte vibrasjoner ($a_{h,AG}$): 7,0 m/s²

Usikkerhet (K): 1,5 m/s²

Arbeidsmodus: overflatesliping med vibrasjonssikkert sidegrep

Genererte vibrasjoner ($a_{h,AG}$): 9,5 m/s²

Usikkerhet (K): 1,5 m/s²

Arbeidsmodus: plansliping med normal sidegrep

Genererte vibrasjoner ($a_{h,DS}$): 4,5 m/s²

Usikkerhet (K): 1,5 m/s²

Arbeidsmodus: plansliping med vibrasjonssikkert sidegrep

Genererte vibrasjoner ($a_{h,DS}$): 4,0 m/s²

Usikkerhet (K): 1,5 m/s²

MERK: Den/de oppgitte verdi(e) for totalt genererte vibrasjoner har blitt målt i henhold til standard testmetoder, og kan bli brukt til å sammenligne ett verktøy med et annet.

MERK: Den/de angitte verdi(e) for totalt genererte vibrasjoner kan også brukes til en foreløpig vurdering av eksponeringen.

⚠ ADVARSEL: De genererte vibrasjonene ved faktisk bruk av elektroverktøyet kan avvike fra den/de angitte vibrasjonsverdien(e), avhengig av hvordan verktøyet brukes og spesielt i forhold til arbeidsstykket som blir behandlet.

⚠ ADVARSEL: Sørg for å identifisere vernetil-tak for å beskytte operatøren, som er basert på et estimat av eksponeringen under de faktiske bruksforholdene (idet det tas hensyn til alle deler av driftssyklusen, dvs. hvor lenge verktøyet er slått av, hvor lenge det går på tomgang og hvor lenge startbryteren faktisk holdes trykket).

⚠ ADVARSEL: Den oppgitte verdien for genererte vibrasjoner brukes for hovedbruksområdene for elektroverktøyet. Hvis verktøyet brukes til andre formål, kan verdien for de genererte vibrasjonene være en annen.

EFs samsvarserklæring

Gjelder kun for land i Europa

EFs samsvarserklæring er lagt til som vedlegg A i denne bruksanvisningen.

SIKKERHETSADVARSEL

Generelle advarsler angående sikkerhet for elektroverktøy

⚠ ADVARSEL: Les alle sikkerhetsadvarsler, instruksjoner, illustrasjoner og spesifikasjoner som følger med dette elektroverktøyet. Hvis ikke alle instruksjonene nedenfor følges, kan det forekomme elektrisk støt, brann og/eller alvorlig skade.

Oppbevar alle advarsler og instruksjoner for senere bruk.

Uttrykket «elektrisk verktøy» i advarslene refererer både til elektriske verktøy (med ledning) tilkoblet strømmettet, og batteridrevne verktøy (uten ledning).

Sikkerhetsadvarsler for trådløs slipeskive

Vanlige sikkerhetsadvarsler for sliping, pussing, stålborsting og kapping :

1. Dette elektriske verktøyet er beregnet for sliping, pussing, stålborsting og kapping. Les alle sikkerhetsadvarsler, instruksjoner, illustrasjoner og spesifikasjoner som følger med dette elektroverktøyet. Hvis ikke alle instruksjonene nedenfor følges, kan det forekomme elektrisk støt, brann og/eller alvorlig skade.
2. Polering bør ikke utføres med dette verktøyet. Bruk av verktøyet til noe annet enn det er beregnet for, kan medføre fare og forårsake personskade.

3. Ikke bruk tilbehør som ikke er spesielt beregnet og anbefalt av verktøyprodusenten. Det at tilbehøret kan monteres på verktøyet, betyr ikke at det er trygt å bruke.
4. Angitt hastighet for tilbehøret må være minst like høy som største angitte hastighet på elektroverktøyet. Tilbehør som kjøres med større hastighet enn det som er angitt, kan gå i stykker og slynges ut.
5. Den ytre diameteren og tykkelsen på tilbehøret må ligge innenfor den angitte kapasiteten for elektroverktøyet. Tilbehør i feil størrelse kan ikke sikres eller kontrolleres fullgodt.
6. Gjenett montering av tilbehør må samsvare med gjengen på sliperen. For tilbehør montert med flenser, må spindelhullet på tilbehøret passe til med diameteren på flensen. Tilbehør som ikke passer til monteringsmekanismen på verktøyet vil komme ut av balanse, vibrere sterkt og kan forårsake at du mister kontrollen.
7. Ikke bruk skadet tilbehør. Før bruk må du undersøke om tilbehør som slipeskiver har hakk eller sprekker, om bakrondeller har sprekker eller er slitt og om stålborster har løse eller ødelagte tråder. Hvis det elektriske verktøyet eller tilbehøret mistes, må du undersøke om det har oppstått skade og eventuelt skifte det ut med uskadd tilbehør. Når et tilbehør er undersøkt og montert, skal du plassere deg selv og andre utenfor tilbehørets rotasjonsplan og kjøre verktøyet på maksimal hastighet, uten belastning, i ett minutt. Skadd tilbehør vil vanligvis gå i stykker i løpet av en slik test.
8. Bruk personlig verneutstyr. Avhengig av bruksområdet, må du bruke visir eller vernebriller. Bruk etter behov støvmaske, hørselsvern, hansker og beskyttelsesdekke som kan stoppe små slipepartikler eller fragmenter fra arbeidsstykket. Øyevernet må kunne stoppe flygende biter som oppstår under ulike operasjoner. Støvmasken eller åndedrettsvernet må kunne filtrere ut partikler som oppstår under arbeidet. Kraftig lyd over lengre tid kan forårsake redusert hørsel.
9. Hold andre på trygg avstand fra arbeidsområdet. Alle som beveger seg inn i arbeidsområdet må bruke personlig verneutstyr. Fragmenter fra arbeidsstykket eller fra skadet tilbehør kan slynges ut og forårsake skade utenfor det nære arbeidsområdet.
10. Hold maskinen kun i det isolerte håndtaket, når skjæreverktøyet kan komme i kontakt med skjulte ledninger under arbeidet. Kontakt med en strømførende ledning kan føre til at metalldelene på det elektriske verktøyet også blir strømførende og kan gi brukeren elektrisk støt.
11. Ikke legg ned elektroverktøyet før tilbehøret har stoppet helt. Det roterende tilbehøret kan få feste i overflaten og trekke elektroverktøyet ut av kontroll.
12. Ikke kjør elektroverktøyet når du bærer det langs siden. Utilsiktet kontakt med roterende tilbehør kan føre til at det fester i klærne og trekkes inn mot kroppen.

13. **Rengjør verktøyets luftventiler regelmessig.** Motorens vifte trekker støv inn i verktøyhuset og mye oppsamlet metallstøv kan medføre elektrisk fare.
14. **Ikke bruk elektroverktøyet nær brennbare materialer.** Gnister kan antenne slike materialer.
15. **Ikke bruk tilbehør som krever kjølevæske.** Bruk av vann eller andre kjølevæsker kan føre til elektrisk støt.

Tilbakeslag og relaterte advarsler

Tilbakeslag er en plutselig reaksjon på en klemt eller fastsittende skive, bakkrondell, børste eller annet tilbehør. Fastklemming forårsaker plutselig stopp av det roterende tilbehøret, noe som i sin tur gjør at det ukontrollerbare elektroverktøyet kastes i motsatt retning av tilbehørets rotasjonsretning ved fastklemmingspunktet. Hvis for eksempel en slipeskive klemmes eller hektes fast i arbeidsemnet, kan kanten på skiven som er fastklemt, grave seg inn i overflaten på materialet og føre til at skiven graver seg ut eller slås ut. Skiven kan enten sprette mot eller vekk fra operatøren, avhengig av rotasjonsretningen på skiven når den klemmes fast. Slipeskiver kan også knekke under slike forhold. Tilbakeslag er et resultat av at elektroverktøyet misbrukes og/eller brukes på feil måte eller under feil forhold, og kan unngås ved å ta de nødvendige forholdsreglene som beskrives under.

1. **Hold godt fast i verktøyet og plasser kroppen og armen din slik at du kan motstå kreftene i et tilbakeslag. Bruk alltid hjelpehåndtak når det følger med, for å få best mulig kontroll over tilbakeslag eller dreiemomentreaksjonen ved oppstart.** Operatøren kan kontrollere dreiemomentreaksjonen eller tilbakeslagskreftene hvis de riktige forholdsreglene tas.
2. **Legg aldri hånden nær det roterende tilbehøret.** Tilbehøret kan slå tilbake over hånden.
3. **Ikke plasser kroppen i det området elektroverktøyet kan slå tilbake i.** Tilbakeslag gjør at verktøyet slås i motsatt retning av skivens bevegelse når den blir sittende fast.
4. **Vær spesielt forsiktig under arbeid med hjørner, skarpe kanter osv. Unngå å la tilbehøret sprette eller hugge.** Hjørner, skarpe kanter eller støt har en tendens til å klemme fast det roterende tilbehøret og forårsake tap av kontrollen eller tilbakeslag.
5. **Ikke monter et sagkjedeblad for treskjæring eller et tannet sagblad.** Slike blader gir ofte tilbakeslag og mangel på kontroll.

Spesifikke sikkerhetsadvarsler for sliping og kapping :

1. **Bruk bare skiver som er anbefalt for elektroverktøyet.** Skiver som ikke er beregnet for verktøyet, kan ikke sikres godt nok og er utrygge.
2. **Slippeoverflaten til skivene med forsensket nav må monteres under planet til vernet.** En feilmontert skive som stikker gjennom planet for vernet kan ikke tilstrekkelig beskyttes.
3. **Vernet må være ordentlig festet til verktøyet og plasseres slik at det gir størst mulig sikkerhet og slik at minst mulig av skiven vender mot brukeren.** Vernet bidrar til å beskytte brukeren mot brukne skivefragmenter og utilsikket kontakt med skiven og mot gnister som kan antenne klær.

4. **Skiver må bare brukes slik det er anbefalt. For eksempel: Ikke slip med siden av en kappeskive.** Kappeskiver for pushing er bare beregnet for periferisk pushing. Sidekrefter mot disse skivene kan knuse dem.
5. **Bruk alltid uskadete skiveflenser med riktig størrelse og form for skiven du har valgt.** Riktige skiveflenser støtter skiven og reduserer muligheten for skivebrudd. Skiveflenser for kappeskiver kan være forskjellige fra skiveflenser for slipeskiver.
6. **Ikke bruk utslitte skiver fra større elektroverktøy.** Skiver fra større elektroverktøy passer ikke for den høyere hastigheten til mindre verktøy og kan sprekke.

Ekstra sikkerhetsadvarsler for kapping :

1. **Ikke «klemt fast» den avskårne skiven eller legg sterkt press på den. Ikke forsøk å kutte svært dypt.** For mye press på skiven øker belastningen og sjansen for at skiven vriss eller setter seg fast under kutting, samt at det øker sjansen for tilbakeslag eller at skiven blir ødelagt.
2. **Ikke plasser deg på linje med og bak den roterende skiven.** Når skiven beveger seg bort fra deg ved bruksstedet, kan et mulig tilbakeslag drive den roterende skiven og verktøyet rett mot deg.
3. **Når skiven fastklemmes eller du ønsker å avbryte kappingen, må du slå av verktøyet og holde det i ro til skiven har stoppet helt. Du må aldri forsøke å trekke kuttesskiven ut av kuttet mens skiven er i bevegelse. Det kan føre til tilbakeslag.** Undersøk årsaken til at skiven setter seg fast, og rett opp feilen.
4. **Ikke start kappingen på nytt mens skiven står i arbeidsemnet. La skiven få full hastighet og sett den forsiktig i kuttet.** Skiven kan sette seg fast, bli trukket oppover eller gi tilbakeslag hvis det elektriske verktøyet startes på nytt i arbeidsemnet.
5. **Støtt opp plater eller store arbeidsemner for å minimere muligheten for fastklemming eller tilbakeslag.** Store arbeidsemner har en tendens til å synke under sin egen vekt. Det må plasseres støtter under arbeidsemnet nært kuttlinjen og nært kanten på arbeidsemnet på begge sider av skiven.
6. **Vær ekstra forsiktig når du lager «hull» i eksisterende vegger eller andre områder uten innsyn.** Skiven som stikker ut, kan kutte gass- eller vannrør, elektriske ledninger eller objekter som kan forårsake tilbakeslag.

Spesielle sikkerhetsadvarsler for pushing:

1. **Ikke bruk alt for stort smergelpapir. Følg produsentens anbefalinger når du velger pussepapir.** Stort papir som stikker utenfor pusseputen, kan forårsake oppring og føre til slitasje eller tilbakeslag på skiven.

Spesielle sikkerhetsadvarsler for stålborsting:

1. **Vær oppmerksom på at metalltråder kan løsne fra børsten også ved vanlig bruk. Ikke overbelast metalltrådene ved å legge ekstra trykk på børsten.** Metalltrådene kan lett trenge gjennom tynne klær og hud.
2. **Hvis det anbefales bruk av vern ved stålborsting, må du all unngå kontakt mellom stålborsteskiven eller børsten og vernet.** Stålskiver eller børster kan utvide seg på grunn av arbeidsbelastningen og sentrifugalkreftene.

Ekstra sikkerhetsadvarsler:

1. Når du bruker slipeskiver med forsenket nav, må du passe på bare å bruke glassfiberarmerte skiver.
2. **BRUK ALDRI** denne vinkelsliperen med slipeskiver av typen Stone Cup. Denne vinkelsliperen er ikke konstruert for denne typen hjul, og bruk av et slikt produkt kan resultere i alvorlige helseskader.
3. Vær forsiktig så du ikke ødelegger spindelen, flensen (særlig monteringsflaten) eller låsemutteren. Skade på disse delene kan resultere i at skiven brekker.
4. Forviss deg om at skiven ikke har kontakt med arbeidsstykket før startbryteren er slått på.
5. Før du begynner å bruke maskinen på et arbeidsstykke, bør du la den gå en liten stund. Se etter vibrasjoner eller vingling som kan tyde på at skiven er dårlig balansert.
6. Bruk den angitte overflaten av skiven til å utføre slipingen.
7. Ikke gå fra verktøyet mens det er i gang. Verktøyet må bare brukes mens operatøren holder det i hendene.
8. Ikke berør arbeidsstykket umiddelbart etter bruk. Det kan være ekstremt varmt og kan gi deg brannskader.
9. Ikke berør tilbehør umiddelbart etter bruk. De kan være ekstremt varme og kan gi deg brannskader.
10. Følg produsentens anvisninger for korrekt montering og bruk av skiver. Håndter og oppbevar skivene forsiktig.
11. Ikke bruk separate reduksjonsbøssinger eller adaptere for å tilpasse slipeskiver med store hull.
12. Bruk bare flenser som er spesifisert for dette verktøyet.
13. For maskiner som er beregnet på å bli utstyrt med gjengehullsskive, må du forvise deg om at gjengen i hullet er lang nok til å passe til spindelengden.
14. Forviss deg om at arbeidsstykket står støtt.
15. Ta hensyn til at skiven fortsetter å rotere etter at maskinen er slått av.
16. Hvis arbeidsplassen er ekstremt varm og fuktig, eller svært forurenset med elektrisk ledende støv, må du bruke en kortslutningsbryter (30 mA) for å ivareta operatørens sikkerhet.
17. Ikke bruk maskinen på materialer som inneholder asbest.
18. Når du bruker kappeskiven, må du alltid bruke beskyttelseskappen med støvoppsamler, slik lokale bestemmelser krever.
19. Kappeskiver må ikke utsettes for trykk fra siden.
20. Ikke bruk tekstilhansker når du bruker maskinen. Fibre fra tekstilhanskene kan komme inn i maskinen noe som kan føre til brudd i maskinen.
21. Pass på at det ikke finnes noen elektriske kabler, vannrør, gassrør, osv. som kan utgjøre en fare hvis de blir skadet av verktøyet.

TA VARE PÅ DISSE INSTRUKSENE.

⚠ ADVARSEL: IKKE LA hensynet til hva som er "behagelig" eller det faktum at du kjenner produktet godt (etter mange gangers bruk) gjøre deg mindre oppmerksom på sikkerhetsreglene for bruken av det aktuelle produktet. Ved MISBRUK eller hvis ikke sikkerhetsreglene i denne bruksanvisningen følges, kan det oppstå alvorlig personskade.

Viktige sikkerhetsanvisninger for batteriinnsetts

1. Før du begynner å bruke batteriet, må du lese alle anvisninger og forsiktighetsregler på (1) batteriladere, (2) batteriet og (3) det produktet batteriet skal brukes i.
2. Ikke demonter eller tukle batteriet. Det kan føre til brann, overoppheting eller eksplosjon.
3. Hvis driftstiden er blitt vesentlig kortere, må du omgående slutte å bruke maskinen. Hvis ikke kan resultatet bli overoppheting, mulige forbrenninger eller til og med en eksplosjon.
4. Hvis du får elektrolytt i øynene, må du skylle dem med store mengder rennende vann og oppsøke lege med én gang. Denne typen uhell kan føre til varig blindhet.
5. Ikke kortslutt batteriet:
 - (1) De kan være ekstremt varme og du kan brenne deg.
 - (2) Ikke lagre batteriet i samme beholder som andre metallgjenstander, som for eksempel spiker, mynter osv.
 - (3) Ikke la batteriet komme i kontakt med vann eller regn.

En kortslutning av batteriet kan føre til et kraftig strømstøt, overoppheting, mulige forbrenninger og til og med til at batteriet går i stykker.

6. Ikke oppbevar og bruk verktøyet og batteriet på steder hvor temperaturen kan komme opp i eller overskride 50 °C.
7. Ikke sett fyr på batteriet, ikke engang om det er sterkt skadet eller helt utslitt. Batteriet kan eksplodere hvis det begynner å brenne.
8. Du må ikke spikre, skjære, klemme, kaste eller miste batteriet, og heller ikke slå en hard gjenstand mot batteriet. En slik oppførsel kan føre til brann, overoppheting eller eksplosjon.
9. Ikke bruk batterier som er skadet.
10. Lithium-ion-batteriene som medfølger er gjenstand for krav om spesialavfall.

For kommersiell transport, f.eks av tredjeparter eller speditorer, må spesielle krav om pakking og merking følges.

Før varen blir sendt, må du forhøre deg med en ekspert på farlig materiale. Ta også hensyn til muligheten for mer detaljerte nasjonale bestemmelser.

Bruk teip eller maskeringsteip for å skjule åpne kontakter og pakk inn batteriet på en slik måte at den ikke kan bevege seg rundt i emballasjen.

11. Når du kasserer batteriinnsetsen, må du ta den ut av verktøyet og avhende den på et sikkert sted. Følg lokale bestemmelser for avhengig av batterier.
12. Bruk batteriene kun med produkter spesifisert av Makita. Montere batteriene i produkter som ikke er konforme kan føre til brann, overheting eller elektrolyttlekkasje.
13. Hvis verktøyet ikke skal brukes over en lengre periode, må batteriet tas ut av verktøyet.
14. Under og etter bruk kan batteriet bli varmt og før til brannskader. Vær forsiktig med håndteringen av varme batterier.
15. Ikke berører terminalen på verktøyet rett etter bruk, da den kan bli varm og forårsake brannskader.
16. Ikke la spon, støv eller jord sette seg fast i terminalene, hullene og sporene i batteriet. Det kan føre til dårlig ytelse eller at verktøyet eller batteriet slutter å fungere.
17. Med mindre verktøyet støtter bruk nær en høyspent strømlinje, skal ikke batteriet brukes nær en høyspent strømlinje. Det kan føre til en funksjonsfeil eller at verktøyet eller batteriet slutter å fungere.
18. Oppbevar batteriet utilgjengelig for barn.

TA VARE PÅ DISSE INSTRUKSENE.

⚠FORSIKTIG: Bruk kun originale Makita-batterier. Bruk av batterier som har endret seg, eller som ikke er originale Makita-batterier, kan føre til at batteriet sprekker og forårsaker brann, personskader og andre skader. Det vil også ugyldiggjøre garantien for Makita-verktøyet og -laderen.

Tips for å opprettholde maksimal batterilevetid

1. Lad batteriinnsetsen før den er helt utladet. Stopp alltid driften av verktøyet og lad batteriinnsetsen når du merker at effekten reduseres.
2. Lad aldri en batteriinnsets som er fulladet. Overopplading forkorter batteriets levetid.
3. Lad batteriet i romtemperatur ved 10 °C - 40 °C. Et varmt batteri må kjøles ned før lading.
4. Når batteriet ikke er bruk, skal det tas ut av verktøyet eller laderen.
5. Lad batteriet hvis det ikke har vært brukt på en lang stund (over seks måneder).

FUNKSJONSBEKRIVELSE

⚠FORSIKTIG: Forviss deg alltid om at maskinen er slått av og batteriet tatt ut før du justerer maskinen eller kontrollerer dens mekaniske funksjoner.

Sette inn eller ta ut batteri

⚠FORSIKTIG: Slå alltid av verktøyet før du setter inn eller fjerner batteriet.

⚠FORSIKTIG: Hold verktøyet og batteripatronen i et fast grep når du monterer eller fjerner batteripatronen. Hvis du ikke holder verktøyet og batteripatronen godt fast, kan du miste grepet, og dette kan føre til skader på verktøyet og batteripatronen samt personskader.

► Fig.1: 1. Rød indikator 2. Knapp 3. Batteriinnsets

For å ta ut batteriet må du skyve på knappen foran på batteriet og trekke det ut.

Når du skal sette inn batteriet, må du plassere tungen på batteriet på linje med sporet i huset og skyve batteriet på plass. Skyv det helt inn til det går i inngrep med et lite klikk. Hvis du kan se den røde indikatoren på oversiden av knappen, er det ikke fullstendig låst.

⚠FORSIKTIG: Batteriet må alltid settes helt inn, så langt at den røde indikatoren ikke lenger er synlig. Hvis dette ikke gjøres, kan batteriet falle ut av verktøyet og skade deg eller andre som oppholder seg i nærheten.

⚠FORSIKTIG: Ikke bruk makt når du setter i batteriet. Hvis batteriet ikke glir lett inn, er det fordi det ikke settes inn på riktig måte.

Indikere gjenværende batterikapasitet

Trykk på sjekk-knappen på batteriet for vise gjenværende batterikapasitet. Indikatorlampene lyser i et par sekunder.

► Fig.2: 1. Indikatorlamper 2. Kontrollknapp

Indikatorlamper			Gjenværende batterinivå
Tent	Av	Blinker	
■	□	▬	75 % til 100 %
■	■	□	50 % til 75 %
■	□	□	25 % til 50 %
■	□	□	0 % til 25 %
▬	□	□	Lad batteriet.
■	□	□	Batteriet kan ha en feil.
□	□	■	

MERK: Det angitte nivået kan avvike noe fra den faktiske kapasiteten alt etter bruksforholdene og den omgivende temperaturen.

MERK: Den første (helt til venstre) indikatorlampen vil blinke når batterivernsystemet fungerer.

Batterivernsystem for verktøy/ batteri

Verktøyet er utstyrt med et batterivernsystem for verktøy/batteri. Dette systemet kutter automatisk strømmen til motoren for å forlenge verktøyets og batteriets levetid. Verktøyet stopper automatisk under drift hvis verktøyet eller batteriet utsettes for en av følgende tilstander:

Overlastsikring

Når verktøyet/batteriet brukes på en måte som gjør at det bruker unormalt mye strøm, vil verktøyet stoppe automatisk og uten forvarsel. Hvis dette skjer, må du slå av verktøyet og avslutte bruken som forårsaket at verktøyet ble overbelastet. Slå deretter verktøyet på for å starte det igjen.

Overopphetingsvern

Når verktøyet/batteriet er overopphetet, stopper verktøyet automatisk. La verktøyet kjøle seg ned før du slår på verktøyet igjen.

Overutladningsvern

Når det blir batterikapasiteten er utilstrekkelig, stopper verktøyet automatisk. I så fall fjerner du batteriet fra verktøyet og lader det.

Koble ut beskyttelseslåsen

Når vernesystemet virker gjentatte ganger låses verktøyet. Hvis dette skjer, vil ikke verktøyet starte, selv om det slås av og på. Beskyttelseslåsen kan kobles ut ved å ta ut batteriet, sette det i batteriladeren og vente til det er ferdig ladet.

Spindellås

Trykk på spindellåsen for å forhindre spindelrotasjon når du monterer eller fjerner tilbehør.

► **Fig.3:** 1. Spindellås

OBS: Du må aldri aktivere spindellåsen mens spindelen beveger seg. Dette kan skade verktøyet.

Bryterfunksjon

⚠FORSIKTIG: Før du setter batteriet inn i verktøyet, må du alltid kontrollere at skyvebryteren fungerer skikkelig og går tilbake til posisjonen "AV" når bakkelen av skyvebryteren trykkes ned.

⚠FORSIKTIG: Bryteren kan spærres i «ON»-stilling for å gjøre det lettere for operatøren ved langvarig bruk. Vær forsiktig når du sperrer verktøyet i «ON»-stilling, og hold det godt fast.

For å starte verktøyet, trykker du ned på bakre del av skyvebryteren og skyver den mot "I (ON)"-stilling. For for kontinuerlig drift, må du trykke ned foran på skyvebryteren for å låse den.

► **Fig.4:** 1. Skyvebryter

For å stoppe verktøyet, trykker du ned på bakre del av skyvebryteren slik at den går tilbake til "O (OFF)"-stilling.

► **Fig.5:** 1. Skyvebryter

Funksjon som forhindrer utilsiktet start

Verktøyet starter ikke når batteriet settes inn i verktøyet med skyvebryteren i "I (PÅ)"-posisjon.

For å starte verktøyet, skyver du først skyvebryteren til "O (AV)"-posisjon, og deretter til "I (PÅ)"-posisjon.

Elektronisk dreiemomentkontroll-funksjon

Verktøyet vil elektronisk oppdage situasjoner hvor skiven eller tilbehøret risikerer å sette seg fast. I dette tilfellet vil verktøyet automatisk slå seg av, for å unngå at spindelen fortsetter å rotere (det forhindrer ikke tilbakeslag).

For å starte verktøyet på nytt, må du først slå av verktøyet, fjerne årsaken til det plutselige rotasjonsfallet og deretter slå på verktøyet igjen.

Mykstartfunksjon

Funksjonen for myk start reduserer reaksjonen ved start.

MONTERING

⚠FORSIKTIG: Forviss deg alltid om at maskinen er slått av og batteriet tatt ut før du justerer maskinen eller kontrollerer dens mekaniske funksjoner.

Montere støttehåndtak (hjelpeshåndtak)

⚠FORSIKTIG: Forviss deg alltid om at støttehåndtaket er skikkelig montert før du tar maskinen i bruk.

Skru støttehåndtaket godt fast på maskinen i den stillingen som er vist på figuren.

► **Fig.6**

Montere eller fjerne beskyttelseskappen

⚠ ADVARSEL: Ved bruk av slipeskive med forsenket nav / klaffskive, flex-skive eller stål-børste, må skivebeskyttelsen settes på verktøyet slik at den lukkede siden av kappen vender mot operatøren.

⚠ ADVARSEL: Kontroller at beskyttelseskappen er låses sikkert av sperrespaken med ett av hullene i beskyttelseskappen.

⚠ ADVARSEL: Ved bruk av kappeskive/diamantskive må du forsikre deg om at du bare bruker den spesielle beskyttelseskappen som er beregnet for bruk med kappeskiver.

(I enkelte europeiske land kan det vanlige vernet brukes ved bruk av diamantskive. Følg lokale forskrifter.)

For forsenket nav, klaffskive, flex-hjul, sirkulærbørste av stål/ kappeskive, diamantskive

1. Mens du skyver sperrespaken monterer du beskyttelseskappen slik at fremspringet på beskyttelseskappebåndet er innrettet med hakket i lagerboksen.

▶ Fig.7: 1. Sperrespak 2. Hakk 3. Fremspring

2. Mens du skyver sperrespaken mot A, skyver du inn beskyttelseskappen ved å holde nede delene B som vist i figuren.

▶ Fig.8: 1. Beskyttelseskappe 2. Hull

MERK: Skyv beskyttelseskappen rett ned. Ellers klarer du ikke å skyve beskyttelseskappen helt på plass.

3. Mens du holder sperrespaken og beskyttelseskappen i posisjonen som beskrives i trinn 2, dreier du beskyttelseskappen mot C, og deretter endrer du vinkelen på beskyttelseskappen i henhold til arbeidet slik at operatøren beskyttes. Innrett sperrespaken med ett av hullene i beskyttelseskappen, og deretter frigjør du sperrespaken for å låse beskyttelseskappen.

▶ Fig.9: 1. Beskyttelseskappe 2. Hull

MERK: Skyv beskyttelseskappen helt på plass. Ellers klarer du ikke å rotere beskyttelseskappen.

Fjern beskyttelseskappen ved å følge monteringsfremgangsmåten i motsatt rekkefølge.

Montere eller fjerne skive med nedsenket nav eller klaffskive

Valgfritt tilbehør

⚠ ADVARSEL: Ved bruk av slipeskive med forsenket nav / klaffskive, må skivebeskyttelsen settes på verktøyet slik at den lukkede siden av kappen vender mot operatøren.

⚠ FORSIKTIG: Sørg for at monteringsdelen av den indre flensen passer perfekt inn i den indre omkretsen til den nedsenkede navet / klaffskiven. Hvis den indre flensen monteres på feil side, kan det resultere i farlig vibrasjon.

Monter den indre flensen på spindelen. Sørg for at du fester den nedsenkede delen av den indre flensen på den rettvinklede delen på bunnen av spindelen. Sett den nedsenkede navet /klaffskiven på den indre flensen og skru låsemutteren på spindelen.

▶ Fig.10: 1. Låsemutter 2. Forsenket nav 3. Indre flens 4. Monteringsdel

Stram låsemutteren ved å trykke så kraftig på spindellåsen at spindelen ikke kan rotere, og bruk låsemutter-nøkkelen til å stramme mutteren godt med klokken.

▶ Fig.11: 1. Låsemutternøkkel 2. Spindellås

Fjern hjulet ved å følge installeringsfremgangsmåten i motsatt rekkefølge.

Montere eller fjerne flex-skiven

Valgfritt tilbehør

⚠ ADVARSEL: Når du bruker flex-skiven må du alltid bruke medfølgende beskyttelse. Skiven kan knuse ved bruk, og vernet bidrar til å redusere faren for helseskader.

▶ Fig.12: 1. Låsemutter 2. Flex-hjul 3. Reserveput 4. Indre flens

Følg instruksjonene for skive med nedsenket nav, men bruk også reserveputten over skiven. Se monteringsrekkefølgen på tilbehørsiden i denne håndboken.

Montere eller fjerne slipeskiven

Valgfritt tilbehør

▶ Fig.13: 1. Låsemutter for sliping 2. Slipeskive 3. Gummirondell

1. Monter gummihetten på spindelen.

2. Sett skiven på gummirondellen og skru låsemutteren for sliping på spindelen.

3. Hold spindelen med skaftlåsen og stram låsemutterne for sliping med klokken med låsemutternøkkelen.

Fjern skiven ved å følge installeringsfremgangsmåten i motsatt rekkefølge.

MERK: Bruk slipetilbehør spesifisert i denne håndboken. Disse må kjøpes separat.

Montere eller demontere Ezynut

Valgfritt tilbehør

⚠ FORSIKTIG: Ikke bruk Ezynut med superflens eller vinkelsliper med "F" til slutt i modellnummeret. Disse flensene er så tykke at spindelen ikke kan holde hele det gjengede området.

▶ Fig.14: 1. Ezynut 2. Slipeskive 3. Indre flens 4. Spindel

Monter den indre flensen, slipeskiven og Ezynut på spindelen, og påse at Makita-logoen på Ezynut er vendt utover.

▶ Fig.15: 1. Spindellås

Press aksellåsen godt på og stram Ezynut ved å dreie slipeskiven/ så langt som mulig med klokken.

Drei den utvendige ringen på Ezynut moturs for å løsne.

▶ Fig.16: 1. Pii 2. Fordypning

▶ Fig.17

MERK: Du kan løse Ezynut for hånd så lenge pilen peker mot innsnittet. Ellers må du bruke en låsemutternøkkel for å løsne den. Sett én stift på nøkkelen i et hull og drei Ezynut moturs.

Installere en kappeskive/diamantskive

Valgfritt tilbehør

⚠ ADVARSEL: Ved bruk av kappeskive/diamantskive må du forsikre deg om at du bare bruker den spesielle beskyttelseskappen som er beregnet for bruk med kappeskiver.

(I enkelte europeiske land kan det vanlige vernet brukes ved bruk av diamantskive. Følg lokale forskrifter.)

⚠ ADVARSEL: IKKE bruk kappeskiver til sideveis sliping.

- **Fig.18:** 1. Låsemutter 2. Slipende kappeskive/diamantskive 3. Indre flens 4. Skivevern for slipende kappeskive/diamantskive

Når det gjelder installasjonen, må du følge anvisningene for nedsenket nav.

Monteringsretningen for låsemutteren og den indre flensen varierer med skivetype og -tykkelse.

Se følgende figurer.

Når du installerer det slipende kapphjulet:

- **Fig.19:** 1. Låsemutter 2. Slipende kapphjul (tynnere enn 4 mm) 3. Slipende kapphjul (4 mm eller tykkere) 4. Indre flens

Når du installerer diamanthjulet:

- **Fig.20:** 1. Låsemutter 2. Diamanthjul (tynnere enn 4 mm) 3. Diamanthjul (4mm eller tykkere) 4. Indre flens

Installere en koppbørsten av stål

Valgfritt tilbehør

⚠ FORSIKTIG: Ikke bruk en børste som er skadet, eller som ikke er balansert. Hvis du bruker en skadet børste, kan dette øke faren for personskaade ved kontakt med ødelagte børstetråder.

- **Fig.21:** 1. Koppbørste av stål

Fjern batteriet fra verktøyet og snu det opp ned for å få enkel tilgang til spindelen.

Demontér alt tilbehør fra spindelen. Monter koppbørsten av stål på spindelen og trekk til med den medfølgende nøkkelen.

Installere en sirkulærbørste av stål

Valgfritt tilbehør

⚠ FORSIKTIG: Ikke bruk en skivebørste som er skadet, eller som ikke er balansert. Hvis du bruker en skadet skivebørste, kan dette øke faren for personskaade ved kontakt med ødelagte børstetråder.

⚠ FORSIKTIG: Bruk ALLTID beskyttelseskappen med skivebørster, og pass på at skivens diameter passer inne i beskyttelseskappen. Skiven kan knuse ved bruk, og vernet bidrar til å redusere faren for helseskader.

- **Fig.22:** 1. Sirkulærbørste av stål

Fjern batteriet fra verktøyet og snu det opp ned for å få enkel tilgang til spindelen.

Demontér alt tilbehør fra spindelen. Skru skivebørsten på spindelen og stram med nøklene.

BRUK

⚠ ADVARSEL: Det er aldri nødvendig å bruke makt på verktøyet. Vekten av maskinen utøver passende trykk. Makt og for stort press kan føre til farlige brudd i skiven.

⚠ ADVARSEL: Skiven må ALLTID skiftes hvis maskinen mistes under sliping.

⚠ ADVARSEL: ALDRI dunk eller slå slipeskiven mot arbeidsstykket.

⚠ ADVARSEL: Unngå at skiven hopper eller setter seg fast, særlig ved sliping av hjørner, skarpe kanter osv. Dette kan føre til at du mister kontrollen, og at maskinen slår tilbake mot deg.

⚠ ADVARSEL: Maskinen må ALDRI brukes med skjæreblader for tre eller andre sagblader. Hvis slike blader brukes på en slipemaskin, kan de ofte føre til slag fra maskinen, slik at operatøren mister kontrollen og blir skadet.

⚠ FORSIKTIG: Maskinen må aldri slås på mens den er i berøring med arbeidsstykket, da dette kan skade operatøren.

⚠ FORSIKTIG: Bruk alltid vernebriller eller ansiktsmaske ved arbeid med maskinen.

⚠ FORSIKTIG: Når du er ferdig å bruke maskinen må du alltid slå den av og vente til skiven har stoppet helt før du setter maskinen ned.

⚠ FORSIKTIG: Ha ALLTID én hånd på selve verktøyhuset og den andre hånden på støttehåndtaket (håndtaket).

Sliping og pussing

- **Fig.23**

Slå på maskinen og sett så skiven i berøring med arbeidsstykket.

Generelt skal kanten av skiven holdes i en vinkel på omtrent 15° mot overflaten av arbeidsstykket.

I innkjøringsperioden for en ny skive må slipemaskinen ikke brukes i foroverretning, da dette kan føre til at den skjærer inn i arbeidsstykket. Så snart kanten av skiven er rundet av etter å være brukt litt, kan den brukes i både forover- og bakoverretning.

Bruke kappeskive/diamantskive

Valgfritt tilbehør

⚠ ADVARSEL: Ikke «klem fast» skiven eller legg sterkt press på den. Ikke forsøk å kutte svært dypt. For mye press på skiven øker belastningen og muligheten for vridning eller fastklemming av skiven i kuttet, noe som kan føre til tilbakeslag, skivebrudd og overoppheting av motoren.

⚠ ADVARSEL: Ikke start kappingen mens skiven står i arbeidsstykket. La skiven få full hastighet og sett den forsiktig i kuttet samtidig som du beveger verktøyet fremover over overflaten på arbeidsstykket. Skiven kan sette seg fast, vandre opp eller slå tilbake hvis verktøyet startes med skiven i arbeidsstykket.

⚠ ADVARSEL: Ikke endre vinkel på skiven under bruk. Legger du sideveis press på kappeskiven (som ved pussing), kan det føre til at skiven sprekker og brytes i stykker, noe som kan føre til alvorlig personskade.

⚠ ADVARSEL: En diamantskive skal brukes vinkelrett på materialet som kuttet.

Eksempel på bruk: med kappeskive med slipeeffekt
► Fig.24

Brukseksempel: bruk med diamantskive
► Fig.25

Bruke koppbørsten av stål

Valgfritt tilbehør

⚠ FORSIKTIG: Kontroller driften av børsten ved å kjøre verktøyet uten belastning, og forsikre deg om at ingen er foran eller ved siden av børsten.

OBS: Unngå å bruke for stort trykk, som kan føre at metalltrådene bøyes når du bruker koppbørsten av stål. Det kan føre til at de ødelegges for tidlig.

Brukseksempel: bruk med koppbørsten av stål
► Fig.26

Bruke sirkulær stålbørste

Valgfritt tilbehør

⚠ FORSIKTIG: Kontroller driften av skivebørsten ved å kjøre verktøyet uten belastning, og forsikre deg om at ingen er foran eller ved siden av skivebørsten.

OBS: Unngå å bruke for stort trykk, som kan føre at metalltrådene bøyes når du bruker sirkulærbørsten av stål. Det kan føre til at de ødelegges for tidlig.

Brukseksempel: bruk med sirkulærbørste av stål
► Fig.27

VEDLIKEHOLD

⚠ FORSIKTIG: Forviss deg alltid om at maskinen er slått av og batteriet tatt ut før du foretar inspeksjon eller vedlikehold.

OBS: Aldri bruk gasolin, bensin, tynner alkohol eller lignende. Det kan føre til misfarging, deformering eller sprekkdannelse.

For å opprettholde produktets SIKKERHET og PÅLITELIGHET, må reparasjoner, vedlikehold og justeringer utføres av Makitas autoriserte servicesentre, og det må alltid brukes reservedeler fra Makita.

Rengjøring av luftventil

Maskinen og luftenåpningene må holdes rene. Rengjør maskinens luftenåpninger med jevne mellomrom og ellers når åpningene begynner å tettes.

► Fig.28: 1. Ventilasjonsutløp 2. Innsugsventil

Fjern støvdekslet fra innsugsventilen, og rengjør det for å sikre en jevn luftsirkulering.

► Fig.29: 1. Støvdeksel

OBS: Rengjør støvdekslet når det er tilstoppet av støv eller fremmedlegemer. Fortsatt drift med et tilstoppet støvdeksel kan skade verktøyet.

VALGFRITT TILBEHØR

⚠FORSIKTIG: Det anbefales at du bruker dette tilbehøret eller verktøyet sammen med den Makita-maskinen som er spesifisert i denne håndboken. Bruk av annet tilbehør eller verktøy kan forårsake personska-der. Tilbehør og verktøy må kun brukes til det formålet det er beregnet på.

Ta kontakt med ditt lokale Makita-servicesenter hvis du trenger mer informasjon om dette tilbehøret.

- Makita originalbatteri og lader

► Fig.30

-	150 mm (6") modell
1	Håndtak 36
2	Beskyttelseskappe (for slipehjul)
3	Indre flens
4	Nedsenket nav / klaffskive
5	Låsemutter
6	Reservepute
7	Flex-hjul
8	Gummiheite 125
9	Slipeskive
10	Låsemutter for sliping
11	Sirkulærbørste av stål
12	Koppbørste av stål
13	Beskyttelseskappe (for kappeskive) *1
14	Slipende kappeskive / diamantskive
-	Låsemutternøkkel

MERK: *1 Når du bruker et diamanthjul i enkelte europeiske land, kan en vanlig kappe brukes istedenfor spesialkap- pen som dekker begge sider av hjulet. Følg lokale forskrifter.

MERK: Enkelte elementer i listen kan være inkludert som standardtilbehør i verktøypakken. Elementene kan variere fra land til land.

TEKNISEET TIEDOT

Malli:	GA035G	
Laikan halkaisija	150 mm (6")	
Laikan suurin paksuus	6,4 mm	
Karan kierre	M14 tai 5/8" (maakohtainen)	
Nimellisa nopeus (n)	8 500 min ⁻¹	
Kokonaispituus	BL4025:n kanssa	398 mm
	BL4040:n kanssa	410 mm
Nettopaino	3,0–3,7 kg	
Nimellisjännite	DC 36 V – 40 V maks.	

- Jatkuvasta tutkimus- ja kehitystyöstämme johtuen esitetyt tekniset tiedot saattavat muuttua ilman erillistä ilmoitusta.
- Tekniset tiedot voivat vaihdella maittain.
- Paino voi olla erilainen lisävarusteista sekä akusta johtuen. EPTA-menettelytavan 01/2014 mukaisesti, taulukossa on kuvattu kevyin ja painavin laiteyhdistelmä.

Käytettävä akkupaketti ja laturi

Akkupaketti	BL4025/BL4040
Laturi	DC40RA

- Tiettyjä yläpuolella kuvattuja akkuja ja latureita ei ehkä ole saatavana asuinalueestasi johtuen.

VAROITUS: Käytä vain edellä eriteltyjä akkupaketteja ja latureita. Muiden akkupakettien ja laturien käyttäminen voi aiheuttaa loukkaantumisen ja/tai tulipalon.

Käyttötarkoitus

Työkalu on tarkoitettu metallin ja kiven karkeaan ja hienoon hiomiseen ja leikkaamiseen ilman vettä.

Melutaso

Tyypillinen A-painotettu melutaso määrittyy standardin EN60745-2-3 mukaan:

Äänenpainetaso (L_{pA}): 82 dB (A)

Äänen voiman taso (L_{WA}): 93 dB (A)

Virhemarginaali (K): 3 dB (A)

HUOMAA: Ilmoitetut melutasoarvot on mitattu standarditestausmenetelmän mukaisesti ja niiden avulla voidaan vertailla työkaluja keskenään.

HUOMAA: Ilmoitettuja melutasoarvoja voidaan käyttää myös altistumisen alustavaan arviointiin.

VAROITUS: Käytä kuulosuojaimia.

VAROITUS: Sähkötyökalun käytön aikana mitattu melutasoarvo voi poiketa ilmoitetuista arvoista laitteen käyttötavan ja erityisesti käsiteltävän työkappaleen mukaan.

VAROITUS: Selvitä käyttäjän suojaamiseksi tarvittavat varoimet todellisissa käyttöolosuhteissa tapahtuvan arvioitun altistumisen mukaisesti (ottaen huomioon käyttöjako kokonaisuudessaan, myös jaksot, joiden aikana laite on sammutettuna tai käy tyhjäkäynnillä).

Tärinä

Kokonaistärinä (kolmen akselin vektorien summa) määrittyy standardin EN60745-2-3 mukaan:

Työtila: pintahionta tavallista sivukahvaa käyttäen

Tärinäpäästö ($a_{h,AG}$): 7,0 m/s²

Virhemarginaali (K): 1,5 m/s²

Työtila: pintahionta tärinävaimennettua sivukahvaa käyttäen

Tärinäpäästö ($a_{h,AG}$): 9,5 m/s²

Virhemarginaali (K): 1,5 m/s²

Työtila: laikkahionta normaalia sivukahvaa käyttäen

Tärinäpäästö ($a_{h,DS}$): 4,5 m/s²

Virhemarginaali (K): 1,5 m/s²

Työtila: laikkahionta tärinävaimennettua sivukahvaa käyttäen

Tärinäpäästö ($a_{h,DS}$): 4,0 m/s²

Virhemarginaali (K): 1,5 m/s²

HUOMAA: Ilmoitetut kokonaistärinäarvot on mitattu standarditestausmenetelmän mukaisesti ja niiden avulla voidaan vertailla työkaluja keskenään.

HUOMAA: Ilmoitettuja kokonaistärinäarvoja voidaan käyttää myös altistumisen alustavaan arviointiin.

VAROITUS: Sähkötyökalun käytön aikana mitattu todellinen tärinäpäästöarvo voi poiketa ilmoitetuista arvoista laitteen käyttötavan ja erityisesti käsiteltävän työkappaleen mukaan.

VAROITUS: Selvitä käyttäjän suojaamiseksi tarvittavat varoimet todellisissa käyttöolosuhteissa tapahtuvan arvioidun altistumisen mukaisesti (ottaen huomioon käyttäjäksi kokonaisuudessaan, myös jaksot, joiden aikana laite on sammutettuna tai käy tyhjäkäynnillä).

VAROITUS: Ilmoitettu tärinäpäästöarvo koskee tämän työkalun pääasiallisia käyttötarkoituksia. Tärinäpäästöarvo voi kuitenkin muuttua, jos työkalua käytetään muihin tarkoituksiin.

EY-vaatimustenmukaisuusvakuutus

Koskee vain Euroopan maita

EY-vaatimustenmukaisuusvakuutus on liitetty tähän käyttöoppaaseen.

TURVAROITUKSET

Sähkötyökalujen käyttöä koskevat yleiset varoitukset

VAROITUS: Tutustu kaikkiin tämän sähkötyökalun mukana toimitettuihin varoituksiin, ohjeisiin, kuviin ja teknisiin tietoihin. Seuraavassa lueteltujen ohjeiden noudattamatta jättäminen saattaa johtaa sähköiskuun, tulipaloon tai vakavaan vammautumiseen.

Säilytä varoitukset ja ohjeet tulevaa käyttöä varten.

Varoituksissa käytettävällä termillä "sähkötyökalu" tarkoitetaan joko verkkovirtaa käyttävää (johdollista) työkalua tai akkukäyttöistä (johdotonta) työkalua.

Akkukäyttöisen hiomakoneen turvaohjeet

Hiontaa, hiekkapaperihiontaa, harjausta ja katkaisua koskevat yleiset varoitukset:

1. Tätä sähkötyökalua voidaan käyttää hiomakoneena, hiekkapaperihiomakoneena, teräsharjana ja katkaisutyökaluna. Tutustu kaikkiin tämän sähkötyökalun mukana toimitettuihin varoituksiin, ohjeisiin, kuviin ja teknisiin tietoihin. Seuraavassa lueteltujen ohjeiden noudattamatta jättäminen saattaa johtaa sähköiskuun, tulipaloon tai vakavaan vammautumiseen.
2. Älä käytä työkalua kiillottamiseen. Sellaiset toiminnot, joihin tätä sähkötyökalua ei ole suunniteltu, voivat aiheuttaa vaaran ja aiheuttaa henkilövämmän.
3. Älä käytä sellaisia lisävarusteita, jotka eivät ole nimenomaan valmistajan suunnitteleimia tai suosittelemia. Vaikka lisävarusteen voi kiinnittää työkaluun, sen käyttö ei silti välttämättä ole turvallista.

4. Lisävarusteen määrätyn nopeuden täytyy olla ainakin samanvertainen tehokoneessa osoitettujen suurimman nopeuden kanssa. Sellaiset lisävarusteet, jotka toimivat nopeammin, kuin määritetty nopeus, voivat rikkoutua ja sinkoutua erilleen.
5. Lisävarusteisiin ulkoalkaisijan ja paksuuden on oltava tehokoneisiin määritettyjen kapasiteettien sisällä. Väärin mitoitettuja lisävarusteita ei voida suojata tai ohjata sopivasti.
6. Lisävarusteiden kierteitetyn asennuskiinteytys on vastattava hiomakoneen karan kierteitä. Laippa-asennettavien lisävarusteiden asennusreiän on vastattava kohdistuslaipan halkaisijaa. Jos lisävaruste ei sovi tehokoneen asennusvarustukseen, tehokone ei ole tasapainossa. Se voi tärähtää voimakkaasti, mikä voi aiheuttaa työkalun hallinnan menetyksen.
7. Älä käytä viallisia lisävarusteita. Ennen jokaista käyttökertaa tarkista, että hioma-laikassa ei ole lohkeamia tai halkeamia, tyyntä ei ole halkeamia tai merkkejä liiallisesta kulumisesta ja että teräharjan harjakset eivät ole irti tai halkeilleet. Jos työkalu tai lisävaruste pääsee putoamaan, tarkista sen kunto tai vaihda lisävaruste ehjään. Asetu lisävarusteen tarkastuksen ja asennuksen jälkeen niin, ettei itse tai kukaan sivullinen ole pyörivän lisävarusteen kanssa samassa tasossa ja käytä laitetta sitten suurimmalla sallitulla joutokäyntinopeudella yhden minuutin ajan. Vioittunut lisävaruste hajoaa yleensä tässä testiajassa.
8. Käytä suojarusteita. Käytä käyttötarkoituksen mukaisesti kasvosuojusta, suojalaseja tai sivusuojilla varustettuja laseja. Käytä tarvittaessa hengityssuojainta, kuulosuojaimia, hansikkaita ja työessua, joka suojaa pieniltä pirstaleilta. Suojalasien täytyy suojata kaikenlaisista töistä aiheutuvalta lentäviltä pirstaleilta. Hengityssuojaimen täytyy suodattaa työskentelyn tuottamat hiukkaset. Pitkäaikainen altistuminen voimakkaalle melulle voi vahingoittaa kuuloa.
9. Sivullisten tulee pysyä turvallisen etäisyyden päässä työskentelyalueesta. Kaikkien työskentelyalueelle tulevien on käytettävä suojarusteita. Työkappaleen tai rikkoutuneen lisävarusteen pirstaleet voivat aiheuttaa vamman välittömästi toiminta-alueen ulkopuolella.
10. Kun suoritat toimintaa, jossa työkalu voi joutua kosketukseen piilossa olevien johtojen kanssa, pidä kiinni työkalusta sen eristetyyn pintaan kohdalta. Jos sähkötyökalun metalliosia joutuu kosketukseen virrallisen johdon kanssa, työkalun sähköä johtavat metalliosat voivat aiheuttaa käyttäjälle sähköiskun.
11. Älä koskaan laita tehokonetta alas, ennen kuin lisävaruste on täysin pysähtynyt. Pyörivä lisävaruste voi tarrata pintaan ja vetää tehokoneen käsistasi.
12. Älä käytä laitetta, kun kannat sitä sivullasi. Vahingossa aiheutuva kosketus pyörivään lisävarusteeseen voi repiä vaatteesi, vetäen lisävarusteen kehoosi.
13. Puhdista työkalun ilma-aukot säännöllisesti. Moottorin tuuletin imee pölyä koteloon, ja metallijauheen kerääntyminen laitteeseen voi aiheuttaa sähköiskuvaaran.

- Älä käytä tehokonetta tulenarkojen materiaalien lähellä.** Kipinät voivat sytyttää nämä materiaalit.
- Älä käytä sellaisia lisävarusteita, jotka vaativat jäähdytysnesteitä.** Jos käytät vettä tai muita jäähdytysnesteitä, ne voivat aiheuttaa sähkötapaturman tai -iskun.

Takapotku ja siihen liittyvät varoitukset

Takapotku on kiinni juuttuneen laikan, tyynyn, harjan tai muun lisävarusteen aiheuttama äkillinen sysäys. Kiinni juuttuminen tai takertelu aiheuttaa sen, että pyörivä lisävaruste pysähtyy, mikä puolestaan alkaa työntää laitetta hallitsemattomasti pyörimisliikkeelle vastakkaiseen suuntaan. Jos laikka esimerkiksi juuttuu työkalupaleeseen, juuttumiskohtaan puretumassa oleva laikka voi tunkeutua kappaleen pintaan, jolloin se kiipeää ylös tai potkaisee taaksepäin. Laikka voi ponnahtaa joko käyttäjää kohti tai käyttäjältä pois päin riippuen laikan pyörimissuunnasta juuttumishetkellä. Hiomalaikat voivat myös rikkoutua näissä tilanteissa.

Takapotku johtuu tehokoneen virheellisestä käytöstä ja/ tai käyttötavasta tai olosuhteista. Takapotku voidaan välttää seuraavien varoitimien avulla.

- Pitele tehokoneesta tukevasti kiinni ja asetu sellaiseen asentoon, että voit vastustaa takapotkun voimaa.** Käytä aina apukahvaa, jos annettu mukana, takapotkujen tai vääntömomentin maksimi hallinnon vuoksi käynnistysaikana. Käyttäjä voi hallita vääntömomentin reaktioita tai takapotkun voimaa noudattamalla sopivia varoitimenpiteitä.
- Älä koskaan vie kättäsi pyörivän lisävarusteen lähelle.** Lisävaruste saattaa aiheuttaa takapotkun käsillesi.
- Älä asetu niin, että kehosi jää sähkötyökalun tielle takapotkun sattuessa.** Takapotku heittää laitetta laikan pyörimissuuntaan nähdessä päinvas-taiseen suuntaan.
- Ole erityisen varovainen, kun työstät nurkkia, teräviä reunoja tms.** Vältä laikan pomppimista ja jumittumista. Kulmilla, terävillä reunoilla tai ponnahtamisella on taipumus repäistä pyörivää lisävarustetta ja aiheuttaa hallinnan menettämisen tai takapotkun.
- Älä käytä laitteessa moottorisahan puunleikkuuterää tai hammastettua terää.** Tällaiset terät aiheuttavat usein takapotkuja ja hallinnan menettämisen.

Hiontaa ja katkaisua koskevat erityiset varoitukset:

- Käytä vain kyseiselle sähkötyökalulle tarkoitettuja laikkatyyppejä ja kyseiselle laikalke tarkoitettua erikoissuojaa.** Muita kuin kyseiselle sähkötyökalulle nimennomaisesti tarkoitettuja laikkoja ei voida suojata kunnolla, eivätkä ne ole turvallisia.
- Uпотetulla navalla varustettujen laikkojen hiomapiinnan on oltava suojareunan tason alapuolella.** Väärin asennettua laikkaa, joka työntyy suojareunan tason läpi, ei ole asianmukaisesti suojattu.
- Suojos on kiinnitettävä laitteeseen tukevasti turvalliseen asentoon niin, että mahdollisimman pieni osa laikasta näkyy käyttäjää kohti.** Suoja suojaaa käyttäjää rikkoutuneen laikan palasilta ja kipinöiltä, jotka voisivat sytyttää vaatteet palamaan, sekä estää vahingossa koskettamasta laikkaa.

- Laikkoja saa käyttää vain niille suositeltuun käyttötarkoitukseen.** Esimerkki: älä käytä katkaisulaikan sivua hiomiseen. Katkaisulaikkaa käytettäessä hionta on tarkoitettu tehtäväksi vain laikan kehällä. Laikkaan kohdistettava sivuttaisvoima voi rikkoo sen sirpaleiksi.
- Käytä aina ehjiä ja oikean kokoisia laikkalaippoja, joiden muoto vastaa valittua laikkaa.** Oikeantyyppiset laikkalaipat tukevat laikkaa ja pienentävät näin laikan rikkoutumisriskiä. Katkaisulaikkoihin tarkoitettuja laipaita voivat olla erilaisia kuin hiomalaikkojen laipat.
- Älä käytä suurempien sähkötyökalujen kuluneita laikkoja.** Suuriin sähkötyökaluihin tarkoitettuja laikat eivät sovi suuremmalla nopeudella toimiviin pienempiin työkaluihin ja voivat siksi hajota.

Katkaisua koskevat lisävaroitukset:

- Älä anna laikan juuttua paikalleen äläkä käytä liiallista painetta.** Älä yritä tehdä liian syvää uraa. Laikan liiallinen painaminen lisää kuormitusta ja laikan vääntymis- tai juuttumisriskiä, jolloin seurauksena voi olla takapotku tai laikan rikkoutuminen.
- Älä asetu samaan linjaan pyörivän laikan taakse.** Kun laikka käytettäessä liikkuu käyttäjältä pois päin, mahdollinen takapotku voi sytyttää pyörivän laikan ja sähkötyökalun suoraan käyttäjää kohti.
- Kun laikka takertelee tai työ joudutaan jostakin syystä keskeyttämään, katkaise laitteesta virta ja pidä sitä paikoillaan liikkumatta, kunnes laikka on täysin pysähtynyt.** Älä koskaan yritä irrottaa laikkaa urasta, kun laikka vielä pyörii, koska seurauksena voi olla takapotku. Selvitä laikan takertelun syy ja poista juuttuminen aiheutumisen syy.
- Älä käynnistä laitetta niin, että se on kiinni työkalupaleessa.** Anna laikan savuttaa täysi pyörimisnopeus ja työnnä laikka sitten varovasti leikkuu-uraan. Jos työkalu käynnistetään niin, että se on kiinni työkalupaleessa, laikka voi juuttua, työntyä taaksepäin tai ponnahtaa ylös.
- Vähennä laikan takertelu- ja takapotkuriskiä tukemalla paneelit ja ylisuuret työkalupaleet huolellisesti.** Suurikokoiset työkalupaleet pyrkivät taipumaan omasta painostaan. Työkappale on tuettava laikan kummaltakin puolelta leikkulinjan vierestä ja työkalupaleen reunoilta.
- Ole erityisen varovainen, kun teet aukkoja seinäin tai muihin umpinaiisiin rakenteisiin.** Laikka voi katkaista kaasu- tai vesiputken tai sähköjohtoja tai osua takapotkun aiheuttaviin esteisiin.

Hiekkapaperihiontaa koskevat erikoismääräykset:

- Älä käytä ylikokoista hiomalaikkapaperia.** Noudata hiekkapaperin valinnassa valmistajan suosituksia. Hiomatyyppyn ulkopuolelle ulottuva hiekkapaperi voi revetä ja aiheuttaa takertelua, laikkavaurioita tai takapotkun.

Teräsharjausta koskevat erityiset varoitukset:

- Ota huomioon, että harjaksia irtoaa harjasta myös normaalikäytössä.** Älä kuormita harjaksia turhaan painamalla liian voimakkaasti. Harjokset voivat helposti tunkeutua kevyen vaate-tuksen ja/ tai ihon läpi.

2. Jos harjauksessa suositellaan käytettäväksi suojusta, älä anna harjauslaikan tai harjan koskettaa suojukseen. Harjauslaikan tai harjan halkaisija voi kasvaa kuormituksen ja keskipakovoiman vaikutuksesta.

Turvallisuutta koskevat lisävaroitukset:

1. Jos käytät hiomalaikkaa, jossa on upotettu keskiö, varmista, että laikka on lasikuituvahvisteinen.
2. ÄLÄ KOSKAAN käytä tässä hiomakoneessa kiven hiontaan tarkoitettuja kuppilaikkoja. Hiomakonetta ei ole suunniteltu tämän tyyppisten laikkojen käyttöön. Vääräntyyppisten laikkojen käyttö voi aiheuttaa vakavan henkilövahingon.
3. Varo, ettet vahingoita karaa, laippaa (erityisesti asennuspintaa) tai lukkomutteria. Näiden osien vioittuminen voi aiheuttaa laikan rikkoutumisen.
4. Varmista, ettei laikka kosketa työkalupaleeseen, ennen kuin virta on kytketty päälle kytkimestä.
5. Anna koneen käydä jonkin aikaa, ennen kuin alat työstää työkalupaletta. Varo, ettei se värähtele tai tärise, mikä voi on merkki siitä, että laikka on huonosti asennettu tai tasapainotettu.
6. Käytä hiontaan siihen tarkoitettua laikan pintaa.
7. Älä jätä työkalua käymään itsekseen. Käytä laitetta vain silloin, kun pidät sitä kädessä.
8. Älä kosketa työkalupaletta heti käytön jälkeen, sillä se saattaa olla erittäin kuuma ja polttaa ihoa.
9. Älä kosketa lisävarusteita heti käytön jälkeen, sillä ne saattavat olla erittäin kuumia ja polttaa ihoa.
10. Noudata valmistajan ohjeita laikkojen oikeasta asennuksesta ja käytöstä. Käsittele laikkoja varoen ja säilytä niitä huolella.
11. Älä käytä erillisiä supistusholkkeja tai sovitimia isoaukkoisten hiomalaikkojen kiinnitykseen.
12. Käytä ainoastaan tälle työkalulle tarkoitettuja laippoja.
13. Kun käytät kierreireillä varustetuille laikoille tarkoitettua työkalua, varmista, että laikan kierteet vastaavat pituudeltaan karan pituutta.
14. Varmista, että työkalupale on tukevasti paikoillaan.
15. Ota huomioon, että laikka jatkaa pyörimistään vielä sen jälkeen, kun virta on katkaistu.
16. Jos työtila on erittäin kuuma ja kostea tai siinä esiintyy runsaasti sähköä johtavaa pölyä, varmista turvallisuus käyttämällä vikavirtakatkaisinta (30 mA).
17. Älä hio tai leikkaa työkalulla mitään asbestia sisältäviä materiaaleja.
18. Käytä aina paikallisten määräysten edellyttämää pölyä keräävää laikansuojusta.
19. Katkaisulaikkaa ei saa painaa sivusuunnassa.
20. Älä pidä kankaisia työksineitä käytön aikana. Kankaisista käsinestä irtoavat kuidut voivat päätyä työkalun sisään ja vaurioittaa työkalua.

21. Varmista, etteivät työkalun käytön seurauksena mahdollisesti vaurioituvat sähköjohdot, vesiputket, kaasuputket jne. voi aiheuttaa vaaratilanteita.

SÄILYTÄ NÄMÄ OHJEET.

VAROITUS: ÄLÄ anna työkalun helppokäyttöisyyden (toistuvan käytön aikaansaama) johtaa sinua väärään turvallisuuden tunteeseen niin, että laiminlyöt työkalun turvaohjeiden noudattamisen. VÄÄRINKÄYTTÖ tai tässä käyttöohjeessa ilmoitettujen turvamääräysten laiminlyönti voi aiheuttaa vakavia henkilövahinkoja.

Akkupakettia koskevia tärkeitä turvaohjeita

1. Ennen akun käyttöönottoa tutustu kaikkiin laturissa (1), akussa (2) ja akkukäyttöisessä tuotteessa (3) oleviin varoitusteksteihin.
2. Älä pura tai peukaloi imuria akkupakettia. Se voi johtaa tulipaloon, ylikuumenemiseen tai räjähdykseen.
3. Jos akun toiminta-aika lyhenee merkittävästi, lopeta akun käyttö. Seurauksena voi olla ylikuumeneminen, palovammoja tai jopa räjähdys.
4. Jos akkunestettä pääsee silmiin, huuhtele puhtaalla vedellä ja hakeudu välittömästi lääkärin hoitoon. Akkuneste voi aiheuttaa näön menetyksen.
5. Älä oikosulje akku.
 - (1) Älä koske akun napoihin millään sähköä johtavalla materiaalilla.
 - (2) Vältä akun oikosulkemista äläkä säilytä akku yhdessä muiden metalliesineiden, kuten naulojen, kolikoiden ja niin edelleen kanssa.
 - (3) Älä aseta akku alttiiksi vedelle tai sateelle.Oikosulku voi aiheuttaa virtapiikin, ylikuumenemista, palovammoja tai laitteen rikkoutumisen.
6. Älä säilytä ja käytä työkalua ja akkupakettia paikassa, jossa lämpötila voi nousta 50 °C:een (122 °F) tai korkeammaksi.
7. Älä hävitä akku polttamalla, vaikka se olisi pahoin vaurioitunut tai täysin loppuun kulunut. Avotuli voi aiheuttaa akun räjähtämisen.
8. Älä naulaa, leikkaa, purista, heitä tai pudota akkupakettia tai iske sitä kovia esineitä vasten. Tällaiset toimet voivat johtaa tulipaloon, ylikuumenemiseen tai räjähdykseen.
9. Älä käytä viallista akku.
10. Sisältyviä litium-ioni-akkuja koskevat vaarallisten aineiden lainsäädännön vaatimukset. Esimerkiksi kolmansien osapuolten huolintaliikkeiden tulee kaupallisissa kuljetuksissa noudattaa pakkaamista ja merkintöjä koskevia erityisvaatimuksia. Lähettävän tuotteen valmistelu edellyttää vaarallisten aineiden asiantuntijan neuvontaa. Huomioi myös mahdollisesti yksityiskohtaisemmat kansalliset määräykset Akun avoimet liittimet tulee suojata teipillä tai suojuksella ja pakkaaminen tulee tehdä niin, ettei akku voi liikkua pakkauksessa.

- Kun akkupaketti on hävitettävä, poista se laitteesta ja hävitä se turvallisesti. Hävitä akku paikallisten määräysten mukaisesti.
- Käytä akkuja vain Makitan ilmoittamien tuotteiden kanssa. Akkujen asentaminen yhteensopimattomiin tuotteisiin voi aiheuttaa tulipalon, liiallisen ylikuumentumisen, räjähdyksen tai akkuneestevuotoja.
- Jos laitetta ei käytetä pitkään aikaan, akku on poistettava laitteesta.
- Akkupaketin lämpötila voi käytön aikana ja sen jälkeen nousta niin kuumaksi, että se voi aiheuttaa palovammoja tai lieviä palovammoja. Käsittele kuumia akkupaketteja huolellisesti.
- Älä kosketa työkalun liittintä välittömästi käytön jälkeen, sillä se voi olla riittävän kuuma aiheuttamaan palovammoja.
- Älä päästä lastuja, pölyä tai maata akkupaketin liittimiin, aukkoihin ja uriin. Se voi heikentää työkalun tai akkupaketin suorituskykyä tai johtaa niiden rikkoutumiseen.
- Ellei työkalu tue käyttöä korkeajännitelinjojen lähellä, älä käytä akkupakettia korkeajännitelinjojen lähellä. Se voi johtaa työkalun tai akkupaketin toimintahäiriöön tai rikkoutumiseen.
- Pidä akku poissa lasten ulottuvilta.

SÄILYTÄ NÄMÄ OHJEET.

⚠HUOMIO: Käytä vain alkuperäisiä Makita-akkuja. Muiden kuin aitojen Makita-akkujen, tai mahdollisesti muutettujen akkujen käyttö voi johtaa akun murtumiseen ja aiheuttaa tulipaloja, henkilö- ja omaisuusvahinkoja. Se mitätöi myös Makita-työkalun ja -laturin Makita-takuun.

Vihjeitä akun käyttöiän pidentämiseksi

- Lataa akku ennen kuin se purkautuu täysin. Lopeta aina työkalun käyttö ja lataa akku, jos huomaat työkalun tehon vähenevän.
- Älä koskaan lataa uudestaan täysin ladattua akkua. Ylilataaminen lyhentää akun käyttöikä.
- Lataa akku huoneen lämpötilassa välillä 10 °C - 40 °C. Anna kuuman akun jäähtyä ennen lataamista.
- Irrota akkupaketti työkalusta tai laturista, kun sitä ei käytetä.
- Lataa akkupaketti, jos et käytä sitä pitkään aikaan (yli kuusi kuukautta).

TOIMINTOJEN KUVAUS

⚠HUOMIO: Varmista aina ennen säätöjä ja tarkastuksia, että työkalu on sammutettu ja akkupaketti irrotettu.

Akun asentaminen tai irrottaminen

⚠HUOMIO: Sammuta työkalu aina ennen akun kiinnittämistä tai irrottamista.

⚠HUOMIO: Pidä työkalusta ja akusta tiukasti kiinni, kun irrotat tai kiinnität akkua. Jos akkupaketti tai työkalu putoaa, ne voivat vaurioitua tai aiheuttaa tapaturman.

- **Kuva1:** 1. Punainen ilmaisin 2. Painike 3. Akkupaketti

Irrota akku painamalla akun etupuolella olevaa painiketta ja vetämällä akku ulos työkalusta.

Akkupaketti asennetaan paikalleen sovittamalla akkupaketin kieleke rungon uraan ja työntämällä se sitten paikoilleen. Työnnä akkupaketti pohjaan asti niin, että kuulet sen napsahavan paikoilleen. Jos painikkeen yläpuolella näkyy punainen ilmaisin, akkupaketti ei ole lukkiutunut täysin paikoilleen.
















⚠HUOMIO: Työnnä akkupaketti aina pohjaan asti, niin että punainen ilmaisin ei enää näy. Jos akkupaketti ei ole kunnolla paikallaan, se voi pudota työkalusta ja aiheuttaa vammoja joko sinulle tai sivullisille.

⚠HUOMIO: Älä käytä voimaa akun asennuksessa. Jos akku ei liu'u paikalleen helposti, se on väärässä asennossa.

Akun jäljellä olevan varustason ilmaisin

Painamalla tarkistuspainiketta saat näkyviin akun jäljellä olevan varauksen. Merkkivalot palavat muutaman sekunnin ajan.

- **Kuva2:** 1. Merkkivalot 2. Tarkistuspainike

Merkkivalot			Akussa jäljellä olevan varaus
 Palaava	 Pois päältä	 Viilkkuu	
			75% - 100%
			50% - 75%
			25% - 50%
			0% - 25%
			Lataa akku.
			Akussa on saattanut olla toimintahäiriö.

HUOMAA: Ilmoitettu varaustaso voi erota hieman todellisesta varaustasosta sen mukaan, millaisissa oloissa ja missä lämpötilassa laitetta käytetään.

HUOMAA: Ensimmäinen (vasemmanpuoleisin) merkkivalo vilkkuu, kun akun suojausjärjestelmä on toiminnassa.

Työkalun/akun suojausjärjestelmä

Työkalu on varustettu työkalu/akun suojausjärjestelmällä. Tämä järjestelmä pidentää työkalun ja akun käyttöikää katkaisemalla automaattisesti moottorin virran. Työkalu pysähtyy automaattisesti kesken käytön, jos työkalussa tai akussa ilmenee jokin seuraavista tilanteista:

Ylikuormitussuoja

Kun työkalua/akkaa käytetään tavalla, joka saa sen kuluttamaan epätavallisen suuren määrän virtaa, työkalu pysähtyy automaattisesti ilman mitään merkivaloa tai ilmaisinta. Katkaise tässä tilanteessa työkalusta virta ja lopeta ylikuormitustilan aiheuttanut käyttö. Käynnistä sitten työkalu uudelleen kytkemällä siihen virta.

Ylikuumenemissuoja

Kun työkalu/akku ylikuumentaa, työkalu pysähtyy automaattisesti. Anna työkalun jäähtyä, ennen kuin kytket sen uudelleen päälle.

Ylipurkautumissuoja

Kun akun varaus on riittämätön, työkalu pysähtyy automaattisesti. Irrota silloin akku työkalusta ja lataa se.

Suojalukituksen vapauttaminen

Jos suojausjärjestelmä aktivoituu toistuvasti, työkalu lukitaan. Tässä tilassa työkalu ei käynnisty, vaikka sen virta katkaistaan ja kytketään. Voit vapauttaa suojalukituksen seuraavasti: irrota akku, aseta se akkulaturiin ja odota, että se latautuu kokonaan.

Akselilukko

Kun kiinnität tai irrotat lisälaitteita, estä a pyörimistä painamalla lukitusta.

► **Kuva3:** 1. Akselilukko

HUOMAUTUS: Älä koskaan kytke lukkoa päälle n pyöriessä. Työkalu voi rikkoutua.

Kytkimen käyttäminen

▲HUOMIO: Tarkista aina ennen akun kiinnittämistä työkaluun, että liukukytkin kytkeytyy oikein ja palautuu OFF-asentoon, kun liukukytimen takaosaa painetaan.

▲HUOMIO: Kytkimen voi lukita ”ON”-asentoon, jotta pitkäaikainen käyttö olisi käyttäjälle helpompaa. Ole varovainen, kun lukitset työkalun ”ON”-asentoon ja pidä työkalusta luja ote.

Työkalu käynnistetään painamalla liukukytimen takaosaa ja liu’uttamalla se sitten eteenpäin ”I (ON)”-asentoon. Jos haluat aktivoida jatkuvan käynnin, lukitse liukukytkin painamalla sen etuosaa.

► **Kuva4:** 1. Liukukytkin

Työkalu pysäytetään painamalla liukukytimen takaosaa niin, että liukukytkin palautuu ”O (OFF)”-asentoon.

► **Kuva5:** 1. Liukukytkin

Vahinkokäynnistyksen estotoiminto

Kun akkupaketti asennetaan paikalleen liukukytimen ollessa ”I (ON)”-asennossa, työkalu ei käynnisty. Käynnistä työkalu tällaisessa tapauksessa siirtämällä liukukytkin ensin ”O (OFF)”-asentoon ja sitten ”I (ON)”-asentoon.

Elektroninen vääntömomentin ohjaustoiminto

Työkalu tunnistaa sähköisesti tilanteet, joissa laikka tai lisälaitte voi olla vaarassa juuttua. Silloin työkalu sammuttaa automaattisesti ja estää akselin pyörimisen (se ei estä takapotkua).

Voit käynnistää työkalun uudelleen sammuttamalla sen ensin, poistamalla syyn äkilliseen pyörimisnopeuden laskuun ja käynnistämällä työkalun.

Pehmeä käynnisty

Pehmeä käynnistystoiminto vaimentaa käynnistysnykäystä.

KOKOONPANO

▲HUOMIO: Varmista aina ennen säätöjä ja tarkastuksia, että työkalu on sammutettu ja akkupaketti irrotettu.

Sivukahvan asentaminen (kahva)

▲HUOMIO: Varmista aina ennen käyttöä, että sivukahva on tukevasti paikoillaan.

Kiinnitä sivukahva koneeseen kuvan osoittamalla tavalla.

► **Kuva6**

Laikan suojuksen asentaminen tai irrottaminen

▲VAROITUS: Jos käytössä on upotetulla navalla varustettu hiomalaikka, lamellilaikka, joustava laikka tai teräsharjalaikka, laikan suojuksen on kiinnitettävä työkaluun niin, että suojuksen umpinainen puoli tulee aina käyttäjää kohti.

▲VAROITUS: Varmista, että lukitusvipu on jossakin laikan suojuksen rei’istä ja pitää laikan suojuksen varmasti paikallaan.

▲VAROITUS: Varmista hiomakatkaisu-/timanttilaikkaa käyttäessäsi, että käytät ainoastaan katkaisulaikoille tarkoitettua erikoislaikansuojusta.

(Joissakin Euroopan maissa voidaan käyttää timanttilaikan kanssa tavallista suojusta. Noudata oman maasi määräyksiä.)

Upotetulla navalla varustettu laikka, lamellilaikka, joustolaikka, teräsharjalaikka / hiova katkaisulaikka, timanttilaikka

1. Pidä lukitusvipu painettuna ja kiinnitä laikan suo-
jus niin, että laikan suojuksen ulokkeet tulevat laakeri-
kotelon lovien kohdalle.

► **Kuva7:** 1. Lukitusvipu 2. Lovi 3. Uloke

2. Paina lukitusvipua suuntaan A ja paina samalla lai-
kan suojus paikalleen pitämällä sitä painettuna kohdista
B kuvan mukaisesti.

► **Kuva8:** 1. Laikan suojus 2. Reikä

HUOMAA: Paina laikan suojus suoraan alas. Muutoin
laikan suojusta ei saa painettua täysin pohjaan asti.

3. Pidä lukitusvipu ja laikan suojus vaiheessa 2
kuvatussa asennossa, käännä laikan suojusta suun-
taan C ja vaihda sitten laikan suojuksen kulma työn
mukaiseen käyttäjää suojaavaan asentoon. Kohdista
lukitusvipu johonkin laikan suojuksessa olevaan reikään
ja lukitse laikan suojus sitten paikalleen vapauttamalla
lukitusvipu.

► **Kuva9:** 1. Laikan suojus 2. Reikä

HUOMAA: Paina laikan suojus kokonaan pohjaan.
Muutoin laikan suojusta ei saa kierrettyä.

Irrota laikan suojus päinvastaisessa järjestyksessä.

Upotetulla navalla varustetun laikan tai lamellilaikan asentaminen ja irrottaminen

Lisävaruste

VAROITUS: Jos käytössä on upotetulla
navalla varustettu laikka tai lamellilaikka, laikan
suojus on kiinnitettävä työkaluun niin, että suo-
juksen umpinainen puoli tulee aina käyttäjää
kohti.

HUOMIO: Varmista, että sisälaipan asennus-
osa sopii upotetulla navalla varustetun laikan/
lamellilaikan sisähalkaisijaan täydellisesti.
Sisälaipan asentaminen väärälle puolelle saattaa
aiheuttaa vaarallista tärinää.

Asenna sisälaippa karaan.

Varmista, että sisälaipan upotettu kohta on vasten
karan alaosan suoraa osaa.

Sovita upotetulla navalla varustettu laikka/lamellilaikka
sisälaipalle ja kierrä lukkomutteri karaan.

► **Kuva10:** 1. Lukkomutteri 2. Upotetulla navalla
varustettu laikka 3. Sisälaippa
4. Asennusosa

Kiristä lukkomutteri painamalla akselilukkoa voimak-
kaasti niin, ettei kara pääse pyörimään, ja kiristä luk-
komutteri sitten lukkomutteriavaimella myötäpäivään
kääntämällä.

► **Kuva11:** 1. Lukkomutteriavain 2. Akselilukko

Laikka irrotetaan päinvastaisessa järjestyksessä.

Joustolaikan kiinnitys ja irrotus

Lisävaruste

VAROITUS: Käytä aina mukana toimitettua
suojusta, kun joustolaikka on kiinni työkalussa.
Laikka voi hajota käytössä, joten suojus vähentää
henkilövahingon riskiä.

► **Kuva12:** 1. Lukkomutteri 2. Joustolaikka
3. Varatyyny 4. Sisälaippa

Noudata upotetulla navalla varustettua laikkaa
koskevia ohjeita, mutta käytä lisäksi laikan päällä
varatyynyä. Katso asennusjärjestys tämän ohjeen
lisävarustesivulta.

Hiomalaikan asentaminen tai irrottaminen

Lisävaruste

► **Kuva13:** 1. Hionnan lukkomutteri 2. Hiomalaikka
3. Kumityyny

1. Asenna kumityyny karaan.

2. Sovita laikka kumitynyyn ja kiinnitä hiomalaikan
lukkommutteri karaan.

3. Pidätä karaa akselilukolla ja kiristä hiomalaikan
lukkommutteria myötäpäivään lukkomutteriavaimella.

Irrota laikka päinvastaisessa järjestyksessä.

HUOMAA: Käytä vain tässä ohjekirjassa määritettyjä
hiomakoneita. Ne on ostettava erikseen.

Ezynutin asennus tai irrotus

Lisävaruste

HUOMIO: Älä käytä Ezynutia superlaipan
kanssa tai kulmahiomakoneissa, joiden mallinumeron
lopussa on F-kirjain. Nämä laipat ovat niin paksuja,
ettei karan koko kierrettä voi käyttää.

► **Kuva14:** 1. Ezynut 2. Hiomalaikka 3. Sisälaippa
4. Kara

Kiinnitä sisälaippa, hiomalaikka ja Ezynut karaan niin,
että Ezynutin Makita-logo näkyy ulospäin.

► **Kuva15:** 1. Karalukitus

Paina karalukkoa tiukasti ja kiristä Ezynut kiertämällä
hiomalaikkaa myötäpäivään niin pitkälle kuin se menee.
Voit löysätä kiinnityksen kiertämällä Ezynutin ulkokehää
vastapäivään.

► **Kuva16:** 1. Nuoli 2. Lovi

► **Kuva17**

HUOMAA: Ezynut voidaan löysätä käsivoimin
aina, kun nuoli on loven kohdalla. Muissa tapauk-
sissa avaamiseen tarvitaan sakara-avainta. Sovita
yksi avaimen sakara koloon ja kierrä Ezynutia
vastapäivään.

Hiovan katkaisulaikan/timanttilaikan asentaminen

Lisävaruste

VAROITUS: Varmista hiomakatkaisu-/timanttilaikkaa käyttäessäsi, että käytät ainoastaan katkaisulaikoille tarkoitettua erikoislaikansuojusta.

(Joissakin Euroopan maissa voidaan käyttää timanttilaikan kanssa tavallista suojusta. Noudata oman maasi määräyksiä.)

VAROITUS: ÄLÄ KOSKAAN käytä katkoloikkaa sivun hiontaan.

- **Kuva18:** 1. Lukkomutteri 2. Hiova katkaisulaikka/timanttilaikka 3. Sisälaippa 4. Hiovan katkaisulaikan/timanttilaikan suojuus

Noudata asennuksessa upotetulla navalla varustetun laikan ohjeita. **Sisälaipan ja lukkomutterin kiinnityssuunta vaihtelee laikan tyyppiin ja paksuuden mukaan.** Katso yksityiskohtia seuraavista kuvista.

Hiovan katkaisulaikan asennus:

- **Kuva19:** 1. Lukkomutteri 2. Hiova katkaisulaikka (ohuempi kuin 4 mm) 3. Hiova katkaisulaikka (4 mm tai paksumpi) 4. Sisälaippa

Timanttilaikan asennus:

- **Kuva20:** 1. Lukkomutteri 2. Timanttilaikka (ohuempi kuin 4 mm) 3. Timanttilaikka (4 mm tai paksumpi) 4. Sisälaippa

Teräskuppiharjan asentaminen

Lisävaruste

HUOMIO: Älä käytä harjaa, jos se on vaurioitunut tai epätasapainossa. Vaurioituneen harjan käyttäminen voi aiheuttaa loukkaantumisvaaran katkenneiden harjasten takia.

- **Kuva21:** 1. Teräskuppiharja

Irrota akku työkalusta ja käännä työkalu ylösalaisin, jotta pääset hyvin käsiksi karaan. Poista karassa mahdollisesti olevat lisävarusteet. Kierrä teräskuppiharja karaan ja kiristä se työkalun mukana toimitettavalla avaimella.

Teräsharjalaikan asentaminen

Lisävaruste

HUOMIO: Älä käytä teräsharjalaikkaa, jos se on vaurioitunut tai epätasapainossa. Vaurioituneen teräsharjalaikan käyttäminen voi aiheuttaa loukkaantumisvaaran katkenneiden harjasten takia.

HUOMIO: Käytä teräsharjalaikan kanssa AINA suojusta. Varmista, että laikka mahtuu suojuksen sisäpuolelle. Laikka voi hajota käytössä, joten suojuus vähentää henkilövahingon riskiä.

- **Kuva22:** 1. Teräsharjalaikka

Irrota akku työkalusta ja käännä työkalu ylösalaisin, jotta pääset hyvin käsiksi karaan. Poista karassa mahdollisesti olevat lisävarusteet. Kiinnitä teräsharjalaikka karaan ja kiristä se avaimilla.

TYÖSKENTELY

VAROITUS: Älä koskaan pakota konetta. Koneen oma paino riittää. Pakottaminen ja liiallinen painaminen voi aiheuttaa vaarallisen laikan rikkoutumisen.

VAROITUS: Vaihda laikka AINA, jos kone pääsee putoamaan hionnan aikana.

VAROITUS: ÄLÄ KOSKAAN iske tai kolhi laikkaa työkalupaleeseen.

VAROITUS: Vältä laikan pomppimista ja jumittumista varsinkin silloin, kun työstät nurkkia, teräviä reunoja ja niin edelleen. Seurauksena voi olla hallinnan menetys ja takapotku.

VAROITUS: ÄLÄ KOSKAAN asenna koneeseen puun leikkaamiseen tarkoitettuja teriä tai muita sahanteriä. Kulmahiomakoneessa käytettynä nämä terät aiheuttavat usein takapotkun ja hallinnan menetyksen, jolloin seurauksena voi olla henkilövahinko.

HUOMIO: Älä koskaan käynnistä konetta, kun se koskettaa työkalupaleeseen, koska tämä voi aiheuttaa käyttäjälle vammoja.

HUOMIO: Käytä aina suojalaseja tai kasvosuojusta käytön aikana.

HUOMIO: Käytön jälkeen katkaise koneesta aina virta ja odota, kunnes laikka on täysin pysähtynyt ennen kuin lasket koneen käsistä.

HUOMIO: Ota työkalusta AINA tukeva ote toisen käden ollessa rungossa ja toisen käden ollessa sivukahvassa (kahva).

Hionta

- **Kuva23**

Käynnistä kone ja vie sitten laikka työkalupaleeseen. Pidä yleisesti laikkaa noin 15°:een kulmassa työkalupaleen pintaan nähden.

Kun ajat sisään uuttaa laikkaa, älä käytä hiomakonetta hioaksesi eteenpäin, koska tällöin laikka voi leikata työkalupaleeseen. Sitten kun laikan reuna on pyörästynyt käytössä, konetta voidaan käyttää sekä eteenpäin että taaksepäin.

Hiovan katkaisulaikan/timanttilaikan käyttäminen

Lisävaruste

VAROITUS: Älä anna laikan juuttua kiinni tai työnnä sitä liiallisella voimalla. Älä yritä tehdä liian syvää uraa. Laikan liiallinen painaminen voi aiheuttaa laikan kiertymisen tai juuttumisen, takapotkun, laikan rikkoutumisen tai moottorin ylikuumenemisen.

VAROITUS: Älä aloita leikkaamista työkalu kiinni työstettävässä kappaleessa. Anna laikan saavuttaa täysi nopeus ja aseta se varovasti leikkattavaan kohtaan työntämällä työkalua eteenpäin työstettävän kappaleen pinnan yli. Laikka saattaa juuttua, nousta ylös tai potkaista takaisin, jos työkalu käynnistetään kiinni työstettävässä kappaleessa.

VAROITUS: Leikkaustoiminnan aikana, älä koskaan vaihda laikan kulmaa. Jos sijoitat katkaisulaikkaan sivupainetta (kuten hiomisen aikana), se voi aiheuttaa laikan murtumisen ja katkeamisen, mikä voi aiheuttaa henkilövammaa.

VAROITUS: Timanttilaikkaa on pidettävä koh-tisuorassa leikkattavaan materiaaliin nähden.

Käyttöesimerkki: hiovan katkaisulaikan käyttäminen
► Kuva24

Käyttöesimerkki: timanttilaikan käyttäminen
► Kuva25

Teräskuppiharjan käyttö

Lisävaruste

HUOMIO: Tarkista harjan toiminta käyttämällä työkalua ilman kuormitusta. Varmista, ettei kukaan ole harjan tiellä.

HUOMAUTUS: Vältä liiallista painamista, koska se voi aiheuttaa harjasten liiallista taipumista teräskuppiharjaa käytettäessä. Se voi aiheuttaa ennenaikaisen rikkoutumisen.

Käyttöesimerkki: teräskuppiharjan käyttäminen
► Kuva26

Teräsharjalaikan käyttäminen

Lisävaruste

HUOMIO: Tarkista teräsharjalaikan toiminta käyttämällä työkalua ilman kuormitusta. Varmista, ettei kukaan ole teräsharjalaikan tiellä.

HUOMAUTUS: Vältä liiallista painamista, koska se voi aiheuttaa harjasten liiallista taipumista harjalaikkaa käytettäessä. Se voi aiheuttaa ennenaikaisen rikkoutumisen.

Käyttöesimerkki: teräsharjalaikan käyttäminen
► Kuva27

KUNNOSSAPITO

HUOMIO: Varmista aina ennen tarkastusta tai huoltoa, että työkalu on sammutettu ja akku irrotettu.

HUOMAUTUS: Älä koskaan käytä bensiiniä, ohenteita, alkoholia tai tms. aineita. Muutoin pinta voi halkeilla tai sen värit ja muoto voivat muuttua. Muutoin laitteeseen voi tulla värjäytyksiä, muodon vääristymiä tai halkeamia.

Koneen TURVALLISUUDEN ja LUOTETTAVUUDEN säilyttämiseksi korjaukset sekä muut huoltotoimet ja säädöt on jätettävä Makitan valtuuttaman huollon tehtäväksi käyttäen aina Makitan alkuperäisiä varaosia.

Ilma-aukkojen puhdistaminen

Kone ja sen ilma-aukot on pidettävä puhtaina. Puhdista koneen ilma-aukot säännöllisesti tai aina kun ne alkavat tukkeutua.

► **Kuva28:** 1. Ilman poistoaukko 2. Ilman tuloaukko

Varmista ilman tasainen kierto irrottamalla pölysuojus ilmanottoaukosta ja puhdistamalla se.

► **Kuva29:** 1. Pölysuojus

HUOMAUTUS: Puhdista pölysuojus, jos se on vierasaineiden tukkima. Työn jatkaminen tukkeutunutta pölysuojusta käyttäen voi vaurioittaa työkalua.

LISÄVARUSTEET

⚠HUOMIO: Seuraavia lisävarusteita tai laitteita suositellaan käytettäväksi tässä ohjeessa kuvatun Makita-työkalun kanssa. Muiden lisävarusteiden tai laitteiden käyttö voi aiheuttaa henkilövahinkoja. Käytä lisävarusteita ja -laitteita vain niiden käyttötarkoituksen mukaisesti.

Jos tarvitset apua tai yksityiskohtaisempia tietoja seuraavista lisävarusteista, ota yhteys paikalliseen Makitan huoltoon.

- Aito Makitan akku ja laturi

► Kuva30

–	150 mm:n (6") malli
1	Kahva 36
2	Laikan suojus (hiomalaikalle)
3	Sisälaippa
4	Upotetulla navalla varustettu laikka / lamelli-laikka
5	Lukkomutteri
6	Varatyyny
7	Joustolaikka
8	Kumityyny 125
9	Hiomalaikka
10	Hionnan lukkomutteri
11	Teräsharjalaikka
12	Teräskuppiharja
13	Laikan suojus (katkaisulaikalle) *1
14	Hiova katkaisulaikka / timanttilaikka
–	Lukkomutteriävain

HUOMAA: *1 Joissakin Euroopan maissa timanttilaikkaa käytettäessä voidaan käyttää tavallista suojusta molemmat puolet peittävän erikoislaikan sijaan. Noudata oman maasi määräyksiä.

HUOMAA: Jotkin luettelossa mainitut varusteet voivat sisältyä työkalun toimitukseen vakiovarusteina. Ne voivat vaihdella maittain.

SPECIFIKATIONER

Model:		GA035G
Skivediameter		150 mm (6")
Maks. skivetykkelse		6,4 mm
Spindelgevind		M14 eller 5/8" (landespecifik)
Nominel hastighed (n)		8.500 min ⁻¹
Samlet længde	med BL4025	398 mm
	med BL4040	410 mm
Nettovægt		3,0 - 3,7 kg
Mærkespænding		D.C. 36 V - 40 V maks.

- På grund af vores kontinuerlige forsknings- og udviklingsprogrammer kan hosstående specifikationer blive ændret uden varsel.
- Specifikationer kan variere fra land til land.
- Vægten kan være anderledes afhængigt af tilbehøret, inklusive akkuen. Den letteste og tungeste kombination i henhold til EPTA-procedure 01/2014 er vist i tabellen.

Anvendelig akku og oplader

Akku	BL4025 / BL4040
Oplader	DC40RA

- Nogle af de akkuer og opladere, der er angivet ovenfor, er muligvis ikke tilgængelige, afhængigt af hvilket område du bor i.

⚠ ADVARSEL: Brug kun de akkuer og opladere, der er angivet ovenfor. Brug af andre akkuer og opladere kan medføre personskaade og/eller brand.

Tilsigtet anvendelse

Denne maskine er beregnet til afslibning, sandslibning, trådbørstning og skæring i metal- og stenmaterialer uden anvendelse af vand.

Støj

Det typiske A-vægtede støjniveau bestemmt i overensstemmelse med EN60745-2-3:

Lydtryksniveau (L_{pA}): 82 dB (A)

Lydeffektniveau (L_{WA}): 93 dB (A)

Usikkerhed (K): 3 dB (A)

BEMÆRK: De(n) angivne støjemissionsværdi(er) er målt i overensstemmelse med en standardtestmetode og kan anvendes til at sammenligne en maskine med en anden.

BEMÆRK: De(n) angivne støjemissionsværdi(er) kan også anvendes i en præliminær eksponeringsvurdering.

⚠ ADVARSEL: Bær høreværn.

⚠ ADVARSEL: Støjemissionen under den faktiske anvendelse af maskinen kan være forskellig fra de(n) angivne værdi(er), afhængigt af den måde hvorpå maskinen anvendes, især den type arbejdsemne der behandles.

⚠ ADVARSEL: Sørg for at identificere de sikkerhedsforskrifter til beskyttelse af operatøren, som er baseret på en vurdering af eksponering under de faktiske brugsforhold (med hensyntagen til alle dele i brugscyklussen, f.eks. de gange, hvor maskinen er slukket, og når den kører i tomgang i tilgift til afbrydertiden).

Vibration

Vibrationens totalværdi (tre-aksial vektorsum) bestemt i overensstemmelse med EN60745-2-3:

Arbejdstilstand: overfladeslibning med normalt sidehåndtag

Vibrationsafgivelse ($a_{h,AG}$): 7,0 m/s²

Usikkerhed (K): 1,5 m/s²

Arbejdstilstand: overfladeslibning med

anti-vibrations-sidehåndtag

Vibrationsafgivelse ($a_{h,AG}$): 9,5 m/s²

Usikkerhed (K): 1,5 m/s²

Arbejdstilstand: disksandslibning med normalt sidehåndtag

Vibrationsafgivelse ($a_{h,DS}$): 4,5 m/s²

Usikkerhed (K): 1,5 m/s²

Arbejdstilstand: disksandslibning med

anti-vibrations-sidehåndtag

Vibrationsafgivelse ($a_{h,DS}$): 4,0 m/s²

Usikkerhed (K): 1,5 m/s²

BEMÆRK: De(n) angivne totalværdi(er) for vibration er målt i overensstemmelse med en standardtestmetode og kan anvendes til at sammenligne en maskine med en anden.

BEMÆRK: De(n) angivne totalværdi(er) for vibration kan også anvendes i en præliminær eksponeringsvurdering.

⚠ ADVARSEL: Vibrationsemissionen under den faktiske anvendelse af maskinen kan være forskellig fra de(n) angivne værdi(er), afhængigt af den måde hvorpå maskinen anvendes, især den type arbejdsemne der behandles.

⚠ ADVARSEL: Sørg for at identificere de sikkerhedsforskrifter til beskyttelse af operatøren, som er baseret på en vurdering af eksponering under de faktiske brugsforhold (med hensyntagen til alle dele i brugscyklussen, f.eks. de gange, hvor maskinen er slukket, og når den kører i tomgang i tilgift til afbrydertiden).

⚠ ADVARSEL: Den erklærede værdi for vibrationsemission gælder for el-værktøjets primære anvendelser. Hvis el-værktøjet imidlertid anvendes til andre formål, kan værdien for vibrationsemission være anderledes.

EF-overensstemmelseserklæring

Kun for lande i Europa

EF-overensstemmelseserklæringen er inkluderet som Bilag A i denne brugsanvisning.

SIKKERHEDSADVARSLER

Almindelige sikkerhedsregler for el-værktøj

⚠ ADVARSEL: Læs alle de sikkerhedsadvarsler, instruktioner, illustrationer og specifikationer, der følger med denne maskine. Forsømmelse af at overholde alle nedenstående instruktioner kan medføre elektrisk stød, brand og/eller alvorlig personskade.

Gem alle advarsler og instruktioner til fremtidig reference.

Ordet "el-værktøj" i advarslerne henviser til det netforsynede (netledning) el-værktøj eller batteriforsynede (akku) el-værktøj.

Sikkerhedsadvarsler for ledningsfri vinkelsliber

Almindelige sikkerhedsadvarsler for arbejde med slibning, slibning med sandpapir, trådbørstning eller slibende afskæring:

1. Denne maskine er beregnet til at fungere som en sliber, slibemaskine med sandpapir, trådbørste eller afskæringsværktøj. Læs alle de sikkerhedsadvarsler, instruktioner, illustrationer og specifikationer, som følger med denne maskine. Forsømmelse af at følge alle instruktionerne herunder kan resultere i elektrisk stød, brand og/eller alvorlig tilskadekomst.
2. **Det anbefales ikke at udføre operationer som for eksempel polering med denne maskine.** Anvendelse, som maskinen ikke er beregnet til, kan være farligt og føre til personskade.
3. **Anvend ikke tilbehør, som ikke er specifikt lavet og anbefalet af maskinens fabrikant.** Den omstændighed, at tilbehøret kan monteres på din maskine, er ingen garanti for, at anvendelsen bliver sikkerhedsmæssig forsvarlig.
4. **Tilbehørets nominelle hastighed skal være beregnet til mindst den samme som den maksimale hastighed, som er anført på maskinen.** Tilbehør, som kører med en større hastighed end deres nominelle hastighed, kan brække og slynges af.
5. **Tilbehørets ydre diameter og tykkelse skal være inden for din maskines kapacitetsrating.** Tilbehør med en forkert størrelse kan ikke beskyttes eller styres tilstrækkeligt.
6. **Gevindmontering af tilbehør skal passe til maskinens spindelgevind. For tilbehør, som monteres med flanger, skal dornhullet på tilbehøret passe til lokaliseringsdiameteren på flangen.** Tilbehør, som ikke passer til maskinens monteringsdele, vil miste balancen, vibrere ekstremt og kan føre til tab af kontrol.
7. **Anvend ikke beskadiget tilbehør. Inspicer altid tilbehøret inden brugen, som for eksempel slibeskiver, for skår og revner, bagskiven for revner, slitage eller ekstrem nedslidning, trådbørsten for løse eller revnede træde.** Hvis maskinen eller tilbehøret tabes, skal de eftersees for skade, eller en ubeskadiget tilbehørsdel skal monteres. Efter inspektion og montering af tilbehør, skal De og omkringstående stå på god afstand af det roterende tilbehørs flade, og maskinen skal køres på højeste, ubelastede hastighed i et minut. Beskadiget tilbehør vil normalt brække under prøvetiden.
8. **Anvend personligt beskyttelsesudstyr. Afhængigt af brugen skal der anvendes ansigtsskærm, beskyttelsesbriller eller sikkerhedsbriller. Anvend, alt efter forholdene, støvmaske, hørevern, handsker og forklæde, som kan stoppe små slibningsstykker eller fragmenter fra arbejdsemnet.** Øjenbeskyttelsen skal kunne stoppe afslyngede stykker, som er frembragt af forskelligt arbejde. Støvmasken og respiratoren skal være i stand til at filtrere partikler, som er frembragt af arbejdet. Længere tids udsættelse for støj af høj intensitet kan medføre høretab.
9. **Hold tilskuere på god afstand af arbejdsområdet. Enhver person, som befinder sig i arbejdsområdet, skal bære personligt beskyttelsesudstyr.** Fragmenter fra arbejdsemner eller fra brækket tilbehør kan blive slynget af og være årsag til tilskadekomst, også uden for det umiddelbare arbejdsområde.
10. **Hold kun maskinen i dens isolerede gribe-flader, når du udfører et stykke arbejde, hvor skæremaskinen kan komme i berøring med skjulte ledninger.** Kontakt med en strømførende ledning vil bevirke, at blottede metaldele på maskinen også bliver strømførende, hvorved operatøren kan få stød.
11. **Læg aldrig maskinen fra Dem, før tilbehøret er stoppet fuldstændigt.** Det roterende tilbehør kan gribe fat i overfladen, hvilket kan bevirke, at De mister herredømmet over maskinen.

12. **Lad ikke maskinen køre, mens De bærer den ved siden.** Utilsliget kontakt med det roterende tilbehør kan gribe fat i tøjet og derved trække tilbehøret ind mod kroppen.
13. **Rengør maskinens ventilationsåbninger med jævne mellemrum.** Motorens vifte vil trække støv ind i huset, og en kraftig opbobling af metalstøv kan skabe elektrisk fare.
14. **Anvend ikke maskinen i nærheden af brændbare materialer.** Disse materialer kan blive antændt af gnister.
15. **Anvend ikke tilbehør, der kræver kølevæske.** Anvendelse af vand eller anden kølevæske kan resultere i dødelige stød eller elektriske stød.

Tilbageslag og relaterede advarsler

Tilbageslag er en pludselig reaktion på en fastklemt eller blokeret roterende skive, bagskive, børste eller andet tilbehør. En fastklemt eller blokeret del forårsager hurtig standsning af det roterende tilbehør, som derved bliver årsag til, at den ukontrollerede maskine bliver tvunget i den modsatte retning af tilbehørets rotation ved punktet for bindingen.

Hvis for eksempel en slibeskive er blokeret eller fastklemt af arbejdsemnet, kan kanten på skiven, som går ind i fastklemningspunktet, grave sig ind i materialets overflade og derved bevirke, at skiven kommer ud eller presses ud. Skiven kan enten slynges mod eller bort fra operatøren, afhængigt af skivens bevægelse på fastklemningspunktet. Slibeskiver kan også brække under disse forhold.

Tilbageslag er resultatet af misbrug af maskinen og/eller fejlagtig anvendelse eller forkerte brugsforhold og kan undgås ved at man tager de rigtige forholdsregler som vist herunder.

1. **Hold godt fast i maskinen og hold kroppen og armen således, at De kan modvirke tilbageslagskraften.** Anvend altid hjælpelhåndtaget, hvis et sådant medfølger, til at opnå maksimal kontrol af tilbageslag og drejningsmomentreaktion under starten. Operatøren kan kontrollere drejningsmomentreaktion eller tilbageslagskraft, hvis de rigtige forholdsregler tages.
2. **Anbring aldrig hænderne i nærheden af det roterende tilbehør.** De risikerer at få hånden ind i tilbageslagets bane.
3. **Stil Dem ikke i det område, hvor maskinen vil bevæge sig, hvis der opstår tilbageslag.** Tilbageslag vil slynge maskinen i den modsatte retning af skivens omdrejning på blokeringsstidspunktet.
4. **Vær særlig omhyggelig, når De arbejder på hjørner, skarpe kanter osv. Undgå at bumpe eller blokere tilbehøret.** Hjørner, skarpe kanter eller bumpen har tendens til at blokere det roterende tilbehør og forårsage tab af kontrol eller tilbageslag.
5. **Monter ikke en savkæde, træskæreklinge eller en savklinge med tænder.** Sådanne klinger giver hyppige tilbageslag og tab af kontrol.

Særlige sikkerhedsadvarsler for arbejde med slibning og afskæring:

1. **Anvend kun skivetyper, som anbefales til din maskine og den specielle beskyttelseskærm, som er beregnet til den valgte skive.** Skiver, for hvilke maskinen ikke er beregnet, kan ikke afskærmes tilstrækkeligt og er ikke sikkerhedsmæssigt forsvarlige.

2. **Slibefluden på forsænkede centerskiver skal monteres under beskyttelseskærmkantens flade.** En forkert monteret skive, som stikker ud fra beskyttelseskærmkantens flade, kan ikke beskyttes tilstrækkeligt.
3. **Beskyttelseskærmen skal være ordentligt monteret på maskinen og placeret, så den optimale sikkerhed opnås, således at mindst muligt af skiven vender mod operatøren.** Beskyttelseskærmen bidrager til at beskytte operatøren mod afbrækkede skivefragmenter og utilsliget kontakt med skiven og gnister, der kan antænde tøjet.
4. **Skiver må kun anvendes til de anbefalede opgaver. For eksempel: slib ikke med siden af en afskæringsskive.** Slibende afskæringsskiver er beregnet til periferisk slibning. Hvis disse skiver udsættes for sidetryk, kan resultatet blive, at de brækker.
5. **Anvend altid ubeskadigede skiveflanger, som har den rigtige størrelse og form til den valgte skive.** Rigtige skiveflanger støtter skiven, hvorved risikoen for skivebrud nedsættes. Flanger til afskæringsskiver kan være anderledes end slibeskiveflanger.
6. **Anvend ikke nedslidte skiver fra større maskiner.** Skiver, som er beregnet til større maskiner, er ikke egnede til en mindre maskines højere hastighed og kan brække.

Supplerende sikkerhedsadvarsler for arbejde med slibende afskæring:

1. **Vær påpasselig med ikke at "klemme" afskæringsskiven fast eller udsætte den for et ekstremt tryk. Forsøg ikke at lave et snit af ekstrem dybde.** Et for stort pres på skiven vil øge belastningen og risikoen for at skiven vrider eller binder i snittet med risikoen for tilbageslag eller brud på skiven til følge.
2. **Stå ikke på linje med eller bag den roterende skive.** Når skiven under anvendelse drejer bort fra Dem, kan et muligt tilbageslag bevirke, at den roterende skive og maskinen slynges direkte mod Dem.
3. **Hvis skiven binder eller hvis en skæring af en eller anden årsag afbrydes, skal De slukke for maskinen og holde den ubevægelig, indtil skiven er holdt helt op med at dreje. Forsøg aldrig at fjerne afskæringsskiven fra snittet, mens skiven er i bevægelse, da dette kan føre til tilbageslag.** Undersøg problemet og tag de rigtige forholdsregler for at eliminere årsagen til at skiven binder.
4. **Lad være med at starte skæringen i arbejdsemnet. Lad skiven komme op på fuld hastighed og gå derefter forsigtigt ind i snittet igen.** Skiven kan binde, presses op eller give tilbageslag, hvis maskinen startes igen i arbejdsemnet.
5. **Understøt paneler eller alle arbejdsemner i overstrøelse for at minimere risikoen for fastklemning af skiven og tilbageslag.** Store arbejdsemner har tendens til at synke sammen under deres egen vægt. Der skal anbringes støtteanordninger under arbejdsemnet i nærheden af snitlinjen og nær kanten på arbejdsstykket på begge sider af skiven.

6. **Vær ekstra forsigtig, når De laver et "lommesnit" i eksisterende vægge eller andre blinde områder.** Den fremspringende skive kan komme til at skære i gas- og vandrør, elektriske ledninger eller genstande, som kan forårsage tilbageslag.
13. **Ved anvendelse af maskiner, der er beregnet til montering af slibeskiver med gevindforsynet hul, skal det altid sikres, at gevindet i skiven er langt nok i forhold til spindellængden.**
14. **Kontrollér at emnet er korrekt understøttet.**
15. **Forsigtig! Skiven fortsætter med at rotere, efter at der slukket for maskinen.**
16. **Hvis arbejdsstedet er ekstremt varmt eller fugtigt, eller slemt tilnavset med ledende støv, bør der anvendes en kortslutningsafbryder (30 mA) for at garantere sikkerheden under arbejdet.**

Særlige sikkerhedsadvarsler for slibning med sandpapir:

1. **Anvend ikke sandpapir af overstørrelse. Følg fabrikantens anbefalinger, når De vælger sandpapir.** Større sandpapir, som går ud over sandparksivken, udgør en fare for sønderrivelse og kan medføre blokering og beskadigelse af skiven eller være årsag til tilbageslag.

Særlige sikkerhedsadvarsler for trådbørstning:

1. **Vær opmærksom på, at trådbørstehårene afståede fra børsten selv under almindelig anvendelse. Udsæt ikke trådbørstehårene for et for stort tryk ved at trykke for kraftigt på børsten.** Trådbørstehårene kan nemt gennemtrænge tynde klæder og/eller huden.
2. **Hvis anvendelse af en beskyttelseskærm ved trådbørstning anbefales, må man ikke tillade interferens af trådsivken eller børsten med beskyttelseskærmen.** Trådsivken eller børsten kan udvide sig i diameter på grund af arbejdsbelastningen og centrifugalkraften.

Supplerende sikkerhedsadvarsler:

1. **Hvis der anvendes forsænkede centerskiver, skal man sørge for kun at anvende fiberglasforstærkede skiver.**
2. **ANVEND ALDRIG skiver af stenkop-typen med denne sliber.** Denne sliber er ikke beregnet til disse typer skiver, og anvendelse af et sådant produkt kan resultere i alvorlig tilskadekomst.
3. **Vær påpasselig med ikke at komme til at beskadige spindlen, flangen (specielt monteringsfladen) eller låsemøtrikken.** Beskadigelse af disse dele kan resultere i, at skiven brækker.
4. **Sørg for, at skiven ikke er i berøring med arbejdsområdet, inden De tænder for maskinen med afbryderen.**
5. **Inden De begynder at anvende maskinen på et rigtigt arbejdsområde, skal De lade den køre i et stykke tid.** Vær opmærksom på vibrationer eller slør, som kan være tegn på dårlig montering eller en forkert afbalanceret skive.
6. **Anvend den specificerede overflade på skiven til at udføre slibningen.**
7. **Læg ikke maskinen fra Dem, mens den stadig kører.** Anvend kun maskinen som håndværktøj.
8. **Berør ikke arbejdsområdet lige efter at arbejdet er udført.** Det kan blive meget varmt og være årsag til forbrændinger.
9. **Undgå at berøre tilbehør umiddelbart efter arbejdets ophør.** Det kan være meget varmt og kan forårsage forbrændinger af huden.
10. **Overhold altid fabrikantens instruktioner for korrekt montering og anvendelse af skiver.** Behandl og opbevar skiver med forsigtighed.
11. **Anvend ikke separate reduktionsbøsninger eller adaptere til at tilpasse slibeskiver med store centerhuller til maskinen.**
12. **Anvend kun de specificerede flanger til denne maskine.**

17. **Anvend aldrig maskinen på materialer, der indeholder asbest.**
18. **Anvend altid den støvsopsamlende beskyttelseskærm, som er påkrævet ifølge de lokale regler, når afskæringsskiven anvendes.**
19. **Skæreskiver må ikke udsættes for tryk fra siden.**
20. **Anvend ikke stofarbejdsdhandsker under brugen.** Fibre fra stofhandsker kan muligvis trænge ind i maskinen, hvilket forvolder skade på maskinen.
21. **Sørg for, at der ikke er nogen elledninger, vandrør, gasrør osv., der kan udgøre en fare, hvis de beskadiges ved brug af maskinen.**

GEM DISSE FORSKRIFTER.

⚠ ADVARSEL: LAD IKKE bekvemmelighed eller kendskab til produktet (opnået gennem gentagen brug) forhindre, at sikkerhedsforskrifterne for produktet nøje overholdes. MISBRUG eller forsømmelse af at følge de i denne brugsvejledning givne sikkerhedsforskrifter kan medføre alvorlig personskade.

Vigtige sikkerhedsinstruktioner for akkuen

1. **Læs alle instruktioner og advarselsmærkater på (1) akku-opladeren, (2) akkuen og (3) produktet, som anvender akku.**
2. **Adskil eller ændr ikke akkuen.** Det kan muligvis resultere i en brand, overdreven varme eller eksplosion.
3. **Hold straks op med anvendelsen, hvis brugstiden er blevet stærkt afkortet.** Forsat anvendelse kan resultere i risiko for overophedning, forbrændinger og endog eksplosion.
4. **Hvis De har fået elektrolytvæske i øjnene, skal De straks skylle den ud med rent vand og derefter øjeblikkeligt søge lægehjælp.** I modsat fald kan De miste synet.
5. **Vær påpasselig med ikke at komme til at kortslutte akkuen:**
 - (1) Rør ikke ved terminalerne med noget ledende materiale.
 - (2) Undgå at opbevare akkuen i en beholder sammen med andre genstande af metal, for eksempel søm, mønter og lignende.
 - (3) Udsæt ikke akkuen for vand eller regn.

Kortslutning af akkuen kan forårsage en kraftig øgning af strømmen, overophedning, mulige forbrændinger og endog værktøjstop.

- Opbevar og brug ikke maskinen og akkuen på steder, hvor temperaturen muligvis kan nå eller overstige 50 °C.
- Lad være med at brænde akkuen, selv ikke i tilfælde, hvor den har lidt alvorlig skade eller er fuldstændig udtjent. Akkuen kan eksplodere, hvis man forsøger at brænde den.
- Slå ikke søm i, skær ikke i, knus, kast, tab ikke akkuen og stød ikke akkuen mod en hård genstand. Sådanne adfærd kan muligvis resultere i en brand, overdreven varme eller eksplosion.
- Anvend ikke en beskadiget akku.
- De indbyggede litium-ion-batterier er underlagt lovkrav vedrørende farligt gods. Ved kommerciel transport, f.eks. af tredjeparts transportselskaber, skal særlige krav til forpakning og mærkning overholdes. Ved forberedelse af udstyret til forsendelse skal du kontakte en ekspert i farligt gods. Overhold også eventuel mere detaljeret national lovgivning. Tape eller tildæk åbne kontakter, og pak batteriet på en måde, så det ikke kan flytte sig rundt i pakningen.
- Når akkuen bortskaffes, skal du fjerne den fra maskinen og bortskaffe den på et sikkert sted. Følg de lokale love vedrørende bortskaffelsen af batterier.
- Brug kun batterierne med de produkter, som Makita specificerer. Hvis batterierne installeres i ikke-kompatible produkter, kan det medføre brand, kraftig varme, eksplosion eller udsivning af elektrolyt.
- Hvis maskinen ikke skal bruges i længere tid ad gangen, skal du fjerne batteriet fra maskinen.
- Akkuen kan muligvis under og efter brug være varm, hvilket kan forårsage forbrændinger eller lavtemperaturforbrændinger. Vær påpasselig med håndtering af varme akkuer.
- Rør ikke terminalen på maskinen straks efter brug, da den bliver varm nok til at forårsage forbrændinger.
- Sørg for at spåner, støv eller jord ikke sætter sig fast inde i terminalerne, hullerne og rillerne på akkuen. Det kan muligvis medføre dårlig ydelse eller nedbrud af maskinen eller akkuen.
- Medmindre maskinen understøtter brugen i nærheden af elektriske højspændingsledninger, skal du ikke anvende akkuen i nærheden af elektriske højspændingsledninger. Det kan muligvis medføre funktionsfejl på eller nedbrud af maskinen eller akkuen.
- Opbevar batteriet utilgængeligt for børn.

GEM DENNE BRUGSANVISNING.

⚠FORSIGTIG: Brug kun originale batterier fra Makita. Brug af uoriginale Makita-batterier, eller batterier som er blevet ændret, kan muligvis medføre brud på batteriet, hvilket kan forårsage brand, personskade eller beskadigelse. Det ugyldiggør også Makita-garantien for Makita-maskinen og opladeren.

Tips til opnåelse af maksimal akku-levetid

- Oplad akkuen, inden den er helt afladet. Stop altid værktøjet, og oplad akkuen, hvis De bemærker, at værktøjeffekten er aftagende.
- Genoplad aldrig en fuldt opladet akku. Overopladning vil afkorte akkuens levetid.
- Oplad akkuen ved stuetemperatur ved 10 °C - 40 °C. Lad altid en varm akku få tid til at køle af, inden den oplades.
- Når du ikke anvender akkuen, skal du fjerne den fra maskinen eller opladeren.
- Oplad akkuen, hvis De ikke skal bruge den i længere tid (mere end seks måneder).

FUNKTIONSBESKRIVELSE

⚠FORSIGTIG: Sørg altid for at maskinen er slukket, og at akkuen er taget ud, før der udføres justering eller kontrol af funktioner på maskinen.

Isætning eller fjernelse af akkuen

⚠FORSIGTIG: Sluk altid for værktøjet, før De monterer eller fjerner akkuen.

⚠FORSIGTIG: Hold værktøjet og akkuen fast ved montering eller fjernelse af akkuen. Hvis De ikke holder værktøjet og akkuen fast, kan de glide ud af hænderne på Dem og forårsage beskadigelse af værktøjet og akkuen eller personskade.

► Fig.1: 1. Rød indikator 2. Knap 3. Akku

Akkuen fjernes ved, at De trækker den ud af værktøjet, idet De skyder knappen på forsiden af akkuen i stilling.

Akkuen monteres ved, at De sætter tungen på akkuen ud for noten i kabinettet og lader den glide på plads. Sæt den hele vejen ind, så den låses på plads med et lille klik. Hvis den røde indikator på oversiden af knappen er synlig, betyder det, at den ikke er tilstrækkeligt låst.

⚠FORSIGTIG: Monter altid akkuen helt, indtil den røde indikator ikke længere er synlig. Hvis dette ikke gøres, kan den falde ud af værktøjet ved et uheld, hvorved De selv eller personer i nærheden kan komme til skade.

⚠FORSIGTIG: Brug ikke magt ved montering af akkuen. Hvis akkuen ikke glider på plads uden problemer, betyder det, at den ikke sættes i på korrekt vis.

Indikation af den resterende batteriladning

Tryk på kontrolknappen på akkuen for at få vist den resterende batteriladning. Indikatorlampen lyser i nogle sekunder.

► Fig.2: 1. Indikatorlampe 2. Kontrolknap

Indikatorlamper			Resterende ladning
Tændt	Slukket	Blinker	
■	□	▧	75% til 100%
■	■	■	
■	■	□	50% til 75%
■	■	□	25% til 50%
■	□	□	0% til 25%
▧	□	□	Genoplad batteriet.
■	■	□	Der er muligvis fejl i batteriet.
□	□	■	

BEMÆRK: Afhængigt af brugsforholdene og den omgivende temperatur kan indikationen afvige en smule fra den faktiske ladning.

BEMÆRK: Den første indikatorlampe (længst mod venstre) vil blinke, når batteribeskyttelsessystemet aktiveres.

Beskyttelsessystem til værktøj/batteri

Maskinen er udstyret med et beskyttelsessystem til maskinen/batteriet. Dette system afbryder automatisk strømmen til motoren for at forlænge maskinens og batteriets levetid. Maskinen stopper automatisk under brugen, hvis maskinen eller batteriet udsættes for et af følgende forhold:

Overbelastningsbeskyttelse

Hvis maskinen/batteriet bruges på en måde, der får den til at trække en unormalt høj strøm, stopper maskinen automatisk uden indikation. Sluk i så fald for maskinen, og stop den anvendelse, der medførte overbelastningen af maskinen. Tænd derefter for maskinen for at starte igen.

Beskyttelse mod overophedning

Hvis maskinen/batteriet er overophedet, stopper maskinen automatisk. Lad maskinen køle af, inden du tænder for maskinen igen.

Beskyttelse mod overafledning

Når batteriladningen er utilstrækkelig, stopper maskinen automatisk. Tag i så fald akkuen ud af maskinen, og oplad akkuen.

Frigørelse af beskyttelseslåsen

Når beskyttelsessystemet aktiveres gentagne gange, låses maskinen.

I så fald starter maskinen ikke, selv om der tændes og slukkes for maskinen. For at frigøre beskyttelseslåsen skal du fjerne akkuen, sætte den i batteriopladeren og vente, indtil opladningen er fuldført.

Aksellås

Tryk på aksellåsen for at forhindre, at spindlen roterer, når tilbehør monteres eller afmonteres.

► Fig.3: 1. Aksellås

BEMÆRKNING: Udløs aldrig aksellåsen, mens spindlen bevæger sig. Maskinen kan lide skade.

Afbryderfunktion

⚠FORSIGTIG: Før akkuen indsættes i maskinen, skal det altid kontrolleres, at glidekontakten fungerer ordentligt og vender tilbage til "OFF"-stillingen, når bagsiden af glidekontakten trykkes ind.

⚠FORSIGTIG: Kontakten kan låses i "ON"-stillingen for at gøre det nemmere for brugeren ved længere tids brug af maskinen. Vær forsigtig, når maskinen låses i "ON"-stillingen, og hold godt fast i maskinen.

For at starte maskinen, skal man trykke ned på bagerste ende af glidekontakten og derefter trykke den mod "I (ON)"-stillingen. For kontinuerlig brug skal man trykke ned på forreste ende af glidekontakten for at låse den.

► Fig.4: 1. Glidekontakt

For at stoppe maskinen, skal man trykke ned på bagerste ende af glidekontakten så den vender tilbage til "O (OFF)"-stillingen.

► Fig.5: 1. Glidekontakt

Funktion til forhindring af utilsigtet genstart

Når akkuen sættes i, mens glidekontakten er i "I (ON)"-stillingen, starter maskinen ikke.

For at starte maskinen skal man først trykke glidekontakten mod "O (OFF)"-stillingen og derefter trykke den mod "I (ON)"-stillingen.

Funktion til elektronisk drejningsmomentkontrol

Maskinen registrerer elektronisk situationer, hvor skiven eller tilbehøret kan risikere at binde. I så fald slukkes der automatisk for maskinen for at forhindre spindlen i at rotere yderligere (det forhindrer ikke tilbageslag). For at genstarte maskinen skal man først slukke for maskinen, eliminere årsagen til det pludselige fald i rotationshastighed og derefter tænde for maskinen.

Funktion for blød start

Funktionen for blød start reducerer startreaktionen.

SAMLING

⚠FORSIGTIG: Sørg altid for at maskinen er slukket, og at akkuen er taget ud, før der udføres justering eller kontrol af funktioner på maskinen.

Montering af sidehåndtag

⚠ FORSIGTIG: Sørg altid for, at sidehåndtaget er ordentligt monteret inden brugen.

Skru sidehåndtaget ordentligt på maskinen på det på illustrationen viste sted.

► Fig.6

Montering eller afmontering af beskyttelsesskærm

⚠ ADVARSEL: Ved brug af en forsænket centerskive, bladdisk, flex-skive eller trådskivebørste skal beskyttelsesskærmen monteres på maskinen, så den lukkede side af skærmen altid vender mod operatøren.

⚠ ADVARSEL: Kontroller at beskyttelsesskærmen er låst ordentligt fast vha. låsearmen med et af hullerne i beskyttelsesskærmen.

⚠ ADVARSEL: Ved brug af en slibende afskæringsskive / diamantskive skal man sørge for kun at anvende den særlige beskyttelsesskærm, der er beregnet til brug med afskæringsskiver.

(I nogle lande i Europa kan den almindelige beskyttelsesskærm anvendes, når man anvender en diamantskive. Følg bestemmelserne for det pågældende land.)

Til forsænket centerskive, bladdisk, flex-skive, trådskivebørste / slibende afskæringsskive, diamantskive

1. Mens du trykker på låsearmen, skal du montere beskyttelsesskærmen, så fremspringene på beskyttelsesskærmen er ud for indhakkene på kuglelejevoksen.

► Fig.7: 1. Låsearm 2. Indhak 3. Fremspring

2. Mens du trykker låsearmen mod A, skal du trykke beskyttelsesskærmen ind ved at holde ned på delene B som vist på figuren.

► Fig.8: 1. Beskyttelsesskærm 2. Hul

BEMÆRK: Tryk beskyttelsesskærmen lige ned. Ellers kan du ikke trykke beskyttelsesskærmen helt ind.

3. Mens du beholder låsearmens og beskyttelsesskærmens position, som beskrevet i trin 2, skal du dreje beskyttelsesskærmen mod C og derefter ændre vinklen på beskyttelsesskærmen i overensstemmelse med arbejdet, så operatøren kan blive beskyttet. Ret låsearmen ind med et af hullerne i beskyttelsesskærmen og slip derefter låsearmen for at låse beskyttelsesskærmen.

► Fig.9: 1. Beskyttelsesskærm 2. Hul

BEMÆRK: Tryk beskyttelsesskærmen helt ind. Ellers kan du ikke dreje beskyttelsesskærmen.

Følg fremgangsmåden til montering i modsat rækkefølge for at afmontere beskyttelsesskærmen.

Montering eller afmontering af forsænket centerskive eller bladdisk

Ekstraudstyr

⚠ ADVARSEL: Når en forsænket centerskive eller bladdisk anvendes, skal beskyttelsesskærmen sættes på maskinen, så den lukkede side af skærmen altid er rettet mod operatøren.

⚠ FORSIGTIG: Sørg for, at monteringsdelen af den indvendige flange passer perfekt ind i den indvendige diameter på den forsænkede centerskive / bladdisken. Monteres den indvendige flange på den forkerte side, kan det medføre farlig vibration.

Monter den indvendige flange på spindlen. Sørg for, at anbringe den bulende del af den indvendige flange på den lige del nederst på spindlen.

Anbring den forsænkede centerskive / bladdisken på den indvendige flange og skru låsemøtrikken på spindlen.

► Fig.10: 1. Låsemøtrik 2. Forsænket centerskive 3. Indvendig flange 4. Monteringsdel

Låsemøtrikken strammes ved at man trykker fast på aksellåsen, så spindlen ikke kan dreje, og derefter anvender låsemøtriknøglen til at stramme godt til i retningen med uret.

► Fig.11: 1. Låsemøtriknøgle 2. Aksellås

Gå frem i modsat rækkefølge af monteringsproceduren, når skiven skal tages af.

Montering og afmontering af flex-skive

Ekstraudstyr

⚠ ADVARSEL: Brug altid den medfølgende beskyttelsesskærm, når flex-skiven er monteret på maskinen. Skiven kan brække under brugen, og beskyttelsesskærmen bidrager til at reducere risikoen for tilskadekomst.

► Fig.12: 1. Låsemøtrik 2. Flex-skive 3. Bagskive 4. Indvendig flange

Følg instruktionerne for den forsænkede centerskive, men brug også bagskiven over skiven. Se rækkefølgen for samling på siden med beskrivelse af tilbehør i denne brugsanvisning.

Montering og afmontering af slibedisk

Ekstraudstyr

► Fig.13: 1. Sandslibelåsemøtrik 2. Slibedisk 3. Gummipude

1. Monter gummipuden på spindlen.
2. Monter disken på gummipuden og skru sandslibelåsemøtrikken på spindlen.
3. Hold spindlen med aksellåsen og spænd sandslibelåsemøtrikken ordentligt til i urets retning med låsemøtriknøglen.

Følg fremgangsmåden til montering i modsat rækkefølge for at afmontere disken.

BEMÆRK: Brug sandslibetilbehør, som er specificeret i denne brugsanvisning. Dette skal anskaffes separat.

Montering eller fjernelse af Ezynut

Ekstraudstyr

⚠FORSIGTIG: Brug ikke Ezynut med superflange eller vinkelsliber med "F" i enden af modelnummeret. Disse flanger er så tykke, at hele gevindet ikke kan skrues ind i spindlen.

- **Fig.14:** 1. Ezynut 2. Slibeskive 3. Indvendig flange 4. Spindel

Monter indvendig flange, slibeskive og Ezynut på spindlen, så Makita-logoet på Ezynut vender udad.

- **Fig.15:** 1. Aksellås

Tryk aksellåsen ordentligt ind og stram Ezynut ved at dreje slibeskiven med uret, så langt den kan dreje. Drej den udvendige ring på Ezynut mod uret for at løsne den.

- **Fig.16:** 1. Pil 2. Indhak

- **Fig.17**

BEMÆRK: Ezynut kan løsnes med hånden, så længe pilen peger mod indhakkets. Ellers kræves der en låsemøtriknøgle for at løsne den. Sæt én af nøglenstifter ind i et hul og drej Ezynut mod uret.

Montering af slibende afskæringsskive / diamantskive

Ekstraudstyr

⚠ADVARSEL: Ved brug af en slibende afskæringsskive / diamantskive skal man sørge for kun at anvende den særlige beskyttelsesskærm, der er beregnet til brug med afskæringsskiver.

(I nogle lande i Europa kan den almindelige beskyttelsesskærm anvendes, når man anvender en diamantskive. Følg bestemmelserne for det pågældende land.)

⚠ADVARSEL: Anvend ALDRIG en afskæringsskive til sideslibning.

- **Fig.18:** 1. Låsemøtrik 2. Slibende afskæringsskive / diamantskive 3. Indvendig flange 4. Beskyttelsesskærm til slibende afskæringsskive / diamantskive

Med hensyn til monteringen skal instruktionerne for forsænkede centerskiver følges.

Retningen for montage af låsemøtrikken og den indvendige flange afhænger af skivetyper og tykkelsen.

Se de følgende figurer.

Når den slibende afskæringsskive monteres:

- **Fig.19:** 1. Låsemøtrik 2. Slibende afskæringsskive (Tyndere end 4 mm) 3. Slibende afskæringsskive (4 mm eller tykkere) 4. Indvendig flange

Når diamantskiven monteres:

- **Fig.20:** 1. Låsemøtrik 2. Diamantskive (Tyndere end 4 mm) 3. Diamantskive (4 mm eller tykkere) 4. Indvendig flange

Montering af trådkopbørste

Ekstraudstyr

⚠FORSIGTIG: Anvend ikke en børste, som er beskadiget, eller som ikke er i balance. Anvendelse af en beskadiget børste kan øge risikoen for tilskadekomst forårsaget af kontakt med knækkede børstetråde.

- **Fig.21:** 1. Trådkopbørste

Tag akkuen ud af maskinen, og anbring den på hovedet, så der er nem adgang til spindlen. Fjern alt ekstraudstyr på spindlen. Monter trådkopbørsten på spindlen og stram til med den medfølgende nøgle.

Montering af trådslibebørste

Ekstraudstyr

⚠FORSIGTIG: Anvend ikke en trådslibebørste, som er beskadiget, eller som ikke er i balance. Anvendelse af en beskadiget trådslibebørste kan øge risikoen for tilskadekomst forårsaget af kontakt med ødelagte træde.

⚠FORSIGTIG: Anvend ALTID en beskyttelsesskærm med trådslibebørster, og sørg for, at skivens diameter passer inden i beskyttelsesskærmen. Skiven kan brække under brugen, og beskyttelsesskærmen bidrager til at reducere risikoen for tilskadekomst.

- **Fig.22:** 1. Trådslibebørste

Tag akkuen ud af maskinen, og anbring den på hovedet, så der er nem adgang til spindlen. Fjern alt ekstraudstyr på spindlen. Sæt trådslibebørsten på spindlen og stram med nøglerne.

ANVENDELSE

⚠ADVARSEL: Det bør aldrig være nødvendigt at anvende magt på maskinen. Maskinens egen vægt sørger for det nødvendige tryk. Tvang og ekstremit tryk kan medføre farlige brud på skiven.

⚠ADVARSEL: Skift ALTID skiven ud, hvis maskinen tabes under slibning.

⚠ADVARSEL: Stød eller slå ALDRIG slibeskiven mod arbejdsemnet.

⚠ADVARSEL: Undgå at støde og vride skiven, især ved arbejde på hjørner, skarpe kanter osv. Det kan medføre tab af kontrol og tilbageslag.

⚠ADVARSEL: Anvend ALDRIG maskinen med klinger, der er beregnet til skæring i træ, og andre savklinger. Hvis sådanne klinger anvendes på en sliber, bliver resultatet ofte tilbageslag og tab af kontrol, hvilket kan føre til tilskadekomst.

⚠FORSIGTIG: Tænd aldrig for maskinen, mens den er i kontakt med arbejdsemnet. Operatøren kan i så fald komme til skade.

⚠FORSIGTIG: Bær altid beskyttelsesbriller eller ansigtsskærm under brugen.

⚠FORSIGTIG: Efter brugen skal man altid slukke for maskinen og vente, indtil skiven er stoppet helt, inden man lægger maskinen fra sig.

⚠FORSIGTIG: Hold **ALTID** godt fast i maskinen med den ene hånd på maskinhuset og den anden på sidehåndtaget.

Slibning og sandslibning

► Fig.23

Start maskinen og anbring derefter skiven eller disken på arbejdsemnet.

Generelt skal kanten på skiven eller disken holdes i en vinkel på ca. 15° mod arbejdsemnets overflade.

I det tidsrum, hvor en ny skive indkøres, må man ikke arbejde med sliberen i forlæns retning, da dette muligvis vil bevirke, at den skærer ind i arbejdsemnet. Når først et stykke tids anvendelse har rundet kanten af skiven af, kan den anvendes i både forlæns og baglæns retning.

Anvendelse med slibende afskæringsskive / diamantskive

Ekstraudstyr

⚠ADVARSEL: Vær påpasselig med ikke at "klemme" skiven eller udsætte den for ekstremt tryk. Forsøg ikke at lave et snit af ekstrem dybde. Et for stort pres på skiven vil øge belastningen og risikoen for at skiven vrider eller binder i snittet samt risikoen for tilbageslag, brud på skiven og overophedning af motoren.

⚠ADVARSEL: Begynd ikke skæringen i arbejdsemnet. Lad skiven komme op på fuld hastighed og gå omhyggeligt ind i snittet, idet maskinen bevæges fremad over arbejdsemnets overflade. Skiven kan binde, presses op eller give tilbageslag, hvis maskinen startes i arbejdsemnet.

⚠ADVARSEL: Under skæring må man aldrig ændre skivens vinkel. Hvis man øver sidelæns tryk på afskæringsskiven (som ved slibning), vil det bevirke, at skiven revner eller brækker med alvorlig tilskadekomst til følge.

⚠ADVARSEL: En diamantskive skal anvendes vinkelret på det materiale, der skæres i.

Eksempel på anvendelse: anvendelse med slibende afskæringsskive

► Fig.24

Eksempel på anvendelse: anvendelse med diamantskive

► Fig.25

Anvendelse med trådkopbørste

Ekstraudstyr

⚠FORSIGTIG: Kontroller børstens funktion ved at køre maskinen uden belastning, og sørg for at der ikke befinder sig nogen personer foran eller i forlængelse af børsten.

BEMÆRKNING: Undgå, at udøve et for stort tryk, som medfører overbøjning af tråde, når trådkopbørsten anvendes. Det kan muligvis medføre for tidligt brud.

Eksempel på anvendelse: anvendelse med trådkopbørste

► Fig.26

Anvendelse med trådskevebørste

Ekstraudstyr

⚠FORSIGTIG: Kontroller trådskevebørstens funktion ved at køre maskinen uden belastning, og sørg for, at der ikke befinder sig nogen personer foran eller i forlængelse af børsten.

BEMÆRKNING: Undgå, når trådskevebørsten anvendes, at udøve et for stort tryk, som medfører overbøjning af tråde. Det kan muligvis medføre for tidligt brud.

Eksempel på anvendelse: anvendelse med trådskevebørste

► Fig.27

VEDLIGEHOLDELSE

⚠FORSIGTIG: Vær altid sikker på, at værktøjet er slukket, og at akkuen er taget ud, inden De begynder at udføre inspektion eller vedligeholdelse.

BEMÆRKNING: Anvend aldrig benzin, rensebenzin, fortynder, alkohol og lignende. Det kan medføre misfarvning, deformation eller revner.

For at opretholde produktets SIKKERHED og PÅLIDELIGHED må reparation, vedligeholdelse eller justering kun udføres af et autoriseret Makita-servicecenter med anvendelse af Makita-reservedele.

Rengøring af ventilationsåbninger

Maskinen og dens ventilationsåbninger skal altid holdes rene. Rengør maskinens ventilationsåbninger med jævne mellemrum eller når ventilationsåbningerne begynder at blive tilstoppede.

► Fig.28: 1. Udstødningsåbning 2. Indsugningsåbning

Fjern støvdækslet fra indsugningsåbningen, og rengør det for uhindret luftcirkulation.

► Fig.29: 1. Støvdæksel

BEMÆRKNING: Rengør støvdækslet, når det er tilstoppet med støv eller fremmedlegemer. Fortsat brug med et tilstoppet støvdæksel kan beskadige maskinen.

EKSTRAUDSTYR

⚠ FORSIGTIG: Det følgende tilbehør og ekstraudstyr er anbefalet til brug med Deres Makita maskine, der er beskrevet i denne brugsanvisning. Anvendelse af andet tilbehør eller ekstraudstyr kan udgøre en risiko for personskade. Anvend kun tilbehør og ekstraudstyr til det beskrevne formål.

Hvis De behøver hjælp ved valg af tilbehør eller ønsker yderligere informationer, bedes De kontakte Deres lokale Makita servicecenter.

- Original Makita-akku og oplader

► Fig.30

-	150 mm model
1	Håndtag 36
2	Beskyttelsesskærm (til slibeskive)
3	Indvendig flange
4	Forsænket centerskive / bladdisk
5	Låsemøtrik
6	Bagskive
7	Flex-skive
8	Gummipude 125
9	Slibedisk
10	Sandslibelåsemøtrik
11	Trådskevborste
12	Trådkopborste
13	Beskyttelsesskærm (til afskæringsskive) *1
14	Slibende afskæringsskive / diamantskive
-	Låsemøtriknøgle

BEMÆRK: *1 I nogle lande i Europa kan den almindelige beskyttelsesskærm anvendes i stedet for den specielle beskyttelsesskærm, som dækker begge sider af skiven, når man anvender en diamantskive. Følg bestemmelserne i det pågældende land.

BEMÆRK: Nogle ting på denne liste kan være inkluderet i værktøjspakken som standardtilbehør. Det kan være forskellige fra land til land.

SPECIFIKĀCIJAS

Modelis:		GA035G
Slīpripas diametrs		150 mm (6")
Maks. slīpripas biezums		6,4 mm
Vārpstas vītne		M14 vai 5/8" (atkarībā no valsts)
Nominālais ātrums (n)		8 500 min ⁻¹
Kopējais garums	ar BL4025	398 mm
	ar BL4040	410 mm
Tīrsvars		3,0–3,7 kg
Nominālais spriegums		Līdzstrāva 36 V–40 V maks.

- Nepārtrauktās izpētes un izstrādes programmas dēļ šeit uzrādītās specifiskācijas var tikt mainītas bez brīdinājuma.
- Atkarībā no valsts specifiskācijas var atšķirties.
- Svārs var būt atšķirīgs atkarībā no papildierīces (–ēm), tostarp akumulatora kasetnes. Tabulā ir attēlota vieglākā un smagākā kombinācija atbilstoši EPTA procedūrai 01/2014.

Piemērotā akumulatora kasetne un lādētājs

Akumulatora kasetne	BL4025/BL4040
Lādētājs	DC40RA

- Daži no iepriekš norādītajiem lādētājiem un akumulatora kasetnēm var nebūt pieejami atkarībā no jūsu mītnes reģiona.

▲BRĪDINĀJUMS: Izmantojiet vienīgi iepriekš norādītās akumulatora kasetnes un lādētājus. Cita tipa akumulatora kasetņu un lādētāju izmantošana var radīt traumu un/vai aizdegšanās risku.

Paredzētā lietošana

Šis darbarīks ir paredzēts metāla un akmens materiālu slīpēšanai, apstrādei ar stieplu suku un griešanai bez ūdens izmantošanas.

Trokšņa līmenis

Tipiskais A svērtais trokšņa līmenis noteikts saskaņā ar EN60745-2-3:

Skaņas spiediena līmeni (L_{pA}): 82 dB (A)

Skaņas jaudas līmeni (L_{WA}): 93 dB (A)

Mainīgums (K): 3 dB (A)

PIEZĪME: Paziņotā trokšņa emisijas vērtība noteikta atbilstoši standarta pārbaudes metodei, un to var izmantot, lai salīdzinātu vienu darbarīku ar citu.

PIEZĪME: Paziņoto trokšņa emisijas vērtību arī var izmantot iedarbības sākotnējā novērtējumā.

▲BRĪDINĀJUMS: Lietojiet ausu aizsargus.

▲BRĪDINĀJUMS: Trokšņa emisija patiesos darba apstākļos var atšķirties no paziņotās vērtības atkarībā no darbarīka izmantošanas veida un jo īpaši atkarībā no apstrādājamā materiāla veida.

▲BRĪDINĀJUMS: Lai aizsargātu lietotāju, nosakiet drošības pasākumus, kas pamatoti ar iedarbību reālos darba apstākļos (ņemot vērā visus ekspluatācijas cikla posmus, piemēram, laiku, kamēr darbarīks ir izslēgts un kad darbojas tukšgaitā, kā arī palaides laiku).

Vibrācija

Vibrācijas kopējā vērtība (trīsasu vektora summa) noteikta atbilstoši EN60745-2-3:

Darba režīms: virsmas slīpēšana ar parastu sānu rokturi

Vibrācija ($a_{h,AG}$): 7,0 m/s²

Mainīgums (K): 1,5 m/s²

Darba režīms: virsmas slīpēšana ar pretvibrācijas sānu rokturi

Vibrācija ($a_{h,AG}$): 9,5 m/s²

Mainīgums (K): 1,5 m/s²

Darba režīms: slīpēšana ar ripu, ar parastu sānu rokturi

Vibrācija ($a_{h,DS}$): 4,5 m/s²

Mainīgums (K): 1,5 m/s²

Darba režīms: slīpēšana ar ripu, ar pretvibrācijas sānu rokturi

Vibrācija ($a_{h,DS}$): 4,0 m/s²

Mainīgums (K): 1,5 m/s²

PIEZĪME: Paziņotā kopējā vibrācijas vērtība noteikta atbilstoši standarta pārbaudes metodei, un to var izmantot, lai salīdzinātu vienu darbarīku ar citu.

PIEZĪME: Paziņoto kopējo vibrācijas vērtību arī var izmantot iedarbības sākotnējā novērtējumā.

▲BRĪDINĀJUMS: Vibrācijas emisija patiesos darba apstākļos var atšķirties no paziņotās vērtības atkarībā no darbarīka izmantošanas veida un jo īpaši atkarībā no apstrādājamā materiāla veida.

▲BRĪDINĀJUMS: Lai aizsargātu lietotāju, nosakiet drošības pasākumus, kas pamatoti ar iedarbību reālos darba apstākļos (ņemot vērā visus ekspluatācijas cikla posmus, piemēram, laiku, kamēr darbarīks ir izslēgts un kad darbojas tukšgaitā, kā arī palaišanas laiku).

▲BRĪDINĀJUMS: Paziņoto vibrācijas emisijas vērtību izmanto galvenajām mehanizētā darbarīka darbībām. Taču, ja darbarīku izmanto citām darbībām, vibrācijas emisijas vērtība var būt atšķirīga.

EK atbilstības deklarācija

Tikai Eiropas valstīm

EK atbilstības deklarācija šajā lietošanas rokasgrāmatā ir iekļauta kā A pielikums.

DROŠĪBAS BRĪDINĀJUMI

Vispārīgi elektrisko darbarīku drošības brīdinājumi

▲BRĪDINĀJUMS: Izlasiet visus drošības brīdinājumus, instrukcijas, apskatiet ilustrācijas un tehniskos datus, kas iekļauti mehanizētā darbarīka komplektācijā. Ja netiek ievēroti visi tālāk minētie noteikumi, var tikt izraisīta elektrotrauma, notikt aizdegšanās un/vai rasties smagas traumas.

Glabājiet visus brīdinājumus un norādījumus, lai varētu tajos ieskatīties turpmāk.

Termins „elektrisks darbarīks” brīdinājumos attiecas uz tādu elektrisko darbarīku, ko darbina ar elektrību (ar vadu), vai tādu, ko darbina ar akumulatoru (bez vada).

Drošības brīdinājumi bezvada slīpmašīnas lietošanai

Drošības brīdinājumi, kas vienādi attiecas uz slīpēšanas, smalkās slīpēšanas, tīrīšanas ar stieplu suku vai abrazīvās griešanas darbībām:

1. Šo mehanizēto darbarīku paredzēts izmantot slīpēšanai, smalkai slīpēšanai, tīrīšanai ar stieplu suku vai griešanai. Izlasiet visus drošības brīdinājumus, instrukcijas, apskatiet ilustrācijas un tehniskos datus mehanizētā darbarīka komplektā. Ja netiek ievēroti visi tālāk minētie noteikumi, var tikt izraisīta elektrotrauma, notikt aizdegšanās un/vai rasties smagas traumas.
2. Ar šo mehanizēto darbarīku nav ieteicams veikt tādas darbības kā pulēšana. Tādu darbību veikšana, kam šis mehanizētais darbarīks nav paredzēts, var būt bīstama un radīt traumas.
3. Lietojiet tikai darbarīka ražotāja īpaši izgatavotos un ieteiktos piederumus. Kaut arī piederumu ir iespējams piestiprināt pie mehanizētā darbarīka, tā lietošana nav droša.

4. Piederuma nominālajam ātrumam jābūt vismaz identiskam ar maksimālo ātrumu, kas atzīmēts uz mehanizētā darbarīka. Piederumi, kas griežas ātrāk par nominālo ātrumu, var salūzt un tikt izsviesti.
5. Piederuma ārējām diametram un biežumam jābūt mehanizētā darbarīka jaudas robežās. Nepareiza izmēra piederumus nav iespējams pietiekami uzmanīt vai vadīt.
6. Piederumu stiprinājuma vītnei jāatbilst slīpmašīnas vārpstas vītnei. Piederumu, kurus piestiprina aiz atlokiem, ass atverei jāatbilst atloka uzstādīšanas diametram. Piederumi, kas neatbilst mehanizētā darbarīka stiprinājumiem, kļūs nestabili, pārmērīgi vibrēs un var izraisīt vadības zaudēšanu.
7. Neizmantojiet bojātu piederumu. Pirms katras lietošanas pārbaudiet, vai piederumos, piemēram, abrazīvās ripās nav plaisu, plīsumu, atbalsta plāksne nav saplaisājusi, saplēsta vai pārmērīgi nolietota, un stieplu suku nav vajūgu vai salūzušu stieplu. Ja mehanizētais darbarīks nokrīt, pārbaudiet, vai nav radušies bojājumi, vai uzstādiet nebojātu piederumu. Pēc piederuma pārbaudes un uzstādīšanas atkāpieties pats un lieciet visiem klātesošajiem atkāpties no piederuma rotācijas plaknes, un vienu minūti darbiniet mehanizēto darbarīku bez slodzes ar maksimālo ātrumu. Bojāti piederumi šādas pārbaudes laikā parasti salūst.
8. Izmantojiet individuālos aizsarglīdzekļus. Atkarībā no veicamā darba valkājiet sejas aizsargu, aizsargbrilles vai brilles. Ja nepieciešams, valkājiet putekļu masku, ausu aizsargus, cimdus un darba priekšautu, kas aiztur mazas abrazīvas vai materiāla daļiņas. Acu aizsardzības aprīkojumam jāspēj aizturēt lidojošus gruzus, kas rodas dažādu darbu veikšanas laikā. Putekļu maskai vai respiratoram jāaiztur darba laikā radušās daļiņas. Ilgstoši pakļaujot sevi ļoti intensīvam troksnim, var rasties dzirdes zudums.
9. Gādājiet, lai apkārtējie atrastos drošā attālumā no darba vietas. Ikvienam, kas atrodas darba vietā, jāizmanto individuālie aizsarglīdzekļi. Apstrādājamā materiāla vai bojāta piederuma daļiņas var tikt izsviestas un traumēt cilvēkus darba vietas tuvumā.
10. Strādājot mehānisko darbarīku turiet aiz izolētajām satveršanas virsmām, ja griešanas darbarīks varētu saskarties ar neredzamu elektroinstalāciju. Saskare ar vadu zem sprieguma var spriegumu novadīt uz mehanizētā darbarīka metāla daļām, bet operators var saņemt elektriskās strāvas triecienu.
11. Nekādā gadījumā nenolieciet mehanizēto darbarīku, pirms tas nav pilnībā apstājies. Rotējošais piederums var aizķert virsmu un izraut mehanizēto darbarīku jums no rokām.
12. Nedarbiniet mehanizēto darbarīku, to pārnēsājot. Ja apgērbs nejauši pieskaras rotējošajam piederumam, tas var tikt satverts, iespējot piederumu miesā.
13. Regulāri tīriet mehanizētā darbarīka ventilācijas atveres. Motora ventilators ievieļ putekļus korpusā un pārmērīga sīku metāla daļiņu uzkrāšanās var izraisīt elektrosistēmas bojājumus.

14. **Mehanizēto darbarīku nedrīkst darbināt ugunsnedrošu materiālu tuvumā.** Dzirksteles var aizdedzināt šos materiālus.
15. **Nelietojiet tādus piederumus, kam vajadzīgi dzesēšanas šķidrums.** Lietojot ūdeni vai citus dzesēšanas šķidrumus, var gūt nāvējošu elektrottraumu vai elektriskās strāvas triecienu.

Atsitiens un ar to saistīti brīdinājumi

Atsitiens ir pēkšņa reakcija uz rotējošās ripas iespiešanu vai aizķeršanos, balsta paliktņi, suku vai kādu citu piederumu. Iesprūšana vai aizķeršanās izraisa pēkšņu rotējošā piederuma apstāšanos, kas savukārt saskares brīdī izraisa nevadāmu mehanizētā darbarīka grūdienu pretējā tā rotācijas virzienā.

Ja abrazīvā slīpriņa, piemēram, aizķeras vai iesprūst apstrādājamā materiālā, slīpriņas mala, kas nokļūst iesprūšanas vietā, var iespiesties materiāla virsmā, liekot slīpriņai izvirzīties vai atlēkt. Slīpriņa saskares brīdī var izlēkt operatora virzienā vai prom no viņa, atkarībā no slīpriņas kustības virziena. Šādos gadījumos abrazīvās slīpriņas var arī salūzt.

Atsitiens rodas darbarīka nepareizas lietošanas un/vai nepareizas darbības vai apstākļu rezultātā, un no tā var izvairīties, veicot piemērotus drošības pasākumus, kā norādīts tālāk.

1. **Saglabājiet ciešu darbarīka tvērienu un novietojiet ķermeni un rokas tā, lai pretotos atsitienu spēkam.** Lai maksimāli kontrolētu atsitienu (iedarbināšanas laikā) vai griezes momentu, vienmēr lietojiet palīgrokturi, ja tāds ir. Operators var savaldīt griezes momenta reakciju vai atsitienu spēku, ja veic atbilstošus piesardzības pasākumus.
2. **Nekad nenovietojiet roku rotējošā piederuma tuvumā.** Piederums var radīt atsitienu, trāpot rokai.
3. **Neviena jūsu ķermeņa daļa nedrīkst atrasties ceļā, kur atsitienu gadījumā pārvietosies mehanizētais darbarīks.** Atsitiens iekēršanās gadījumā grūdis darbarīku no iekēršanās vietas slīpriņas kustībai pretējā virzienā.
4. **Īpaši uzmanieties, apstrādājot stūrus, asas malas u.c. Nepieļaujiet piederuma atlēkšanu un aizķeršanos.** Stūri, asas malas vai atleķšana parasti izraisa rotējošā piederuma aizķeršanos un var radīt kontroles zaudēšanu vai atsitienu.
5. **Nepievienojiet ķēdes zāga kokgriezumam asmeni vai zobaino zāga asmeni.** Šādi asmeņi izraisa biežus atsitienu un vadības zaudēšanu.

Drošības brīdinājumi tieši slīpēšanas un abrazīvās griešanas darbībām:

1. **Izmantojiet tikai savam mehanizētajam darbarīkam ieteicamos ripu veidus un īpašos aizsargus, kas paredzēti izvēlētajai ripai.** Ripas, kam mehanizētais darbarīks nav paredzēts, nevar pienācīgi aizsargāt, tāpēc tās nav drošas.
2. **Ripas ar ieliektu centru slīpēšanas virsmai jāatrodas zemāk par aizsargatloka malu.** Nepareizi piestiprināta ripa, kas izvirzās no aizsargatloka malas plaknes, nav pietiekami aizsargājama.
3. **Aizsargam jābūt stingri piestiprinātam pie mehanizētā darbarīka un novietotam maksimāli drošībai, lai operatora virzienā ir atsegtā mazākā ripas daļa.** Aizsargs palīdz aizsargāt operatoru no salūzušas ripas daļām un nejaušas saskares ar slīpriņu un dzirkstelēm, kas var aizdedzināt apģērbu.

4. **Slīpriņas jāizmanto tikai tām ieteicamajiem darbiem. Piemēram: neslīpējiet ar griešanas ripas malu.** Abrazīvās griešanas ripas paredzētas perifērai slīpēšanai, tāpēc, ja uz šīm ripām iedarbojas sānu spēks, tās var salūzt.
5. **Vienmēr izmantojiet nebojātus, izvēlētajai ripai atbilstoša izmēra un formas ripas atlokus.** Atbilstoši slīpriņas atloki balsta slīpriņu, tādējādi samazinot tās salūšanas iespēju. Nogrīšanas ripu atloki var atšķirties no slīpēšanai paredzēto ripu atlokiem.
6. **Neizmantojiet nodilušas lielāku mehanizēto darbarīku ripas.** Lielākiem mehanizētajiem darbarīkiem paredzētas ripas nav piemērotas mazāka darbarīka lielākajam ātrumam, tās var sabrukt.

Papildu drošības brīdinājumi tieši abrazīvās griešanas darbībām:

1. **Neļaujiet griezējripai iesprūst, neizmantojiet pārmērīgu spiedienu. Negrieziet pārāk dziļi.** Ripas pārlogošana palielina slodzi, ripas sašķiešanas vai iekēršanās griezumā, atsitienu vai slīpriņas salūšanas iespējamību.
2. **Nenostājieties vienā līnijā ar rotējošo ripu un aiz tās.** Kad darba laikā ripas pārvietojas virzienā prom no jūsu ķermeņa, iespējama atsitiens var grūst rotējošo ripu un mehanizēto darbarīku tieši jūsu virzienā.
3. **Kad darba vietā ripas pārvietojas virzienā prom no operatora ķermeņa, iespējama atsitiens rotējošo ripu un mehanizēto darbarīku var grūst tieši operatora virzienā. Nekādā gadījumā nemēģiniet izņemt griezējripu no griezuma, kad ripa vēl griežas, lai netiktu izraisīts atsitiens.** Pārbaudiet un veiciet attiecīgus pasākumus, lai novērstu ripas iekēršanās cēloņus.
4. **Neatsāciet griešanu, darbarīkam atrodoties apstrādājamā materiālā. Ļaujiet ripai sasniegt pilnu ātrumu un tad uzmanīgi atkal ievietojiet to griezumā.** Slīpriņa var iekerties, izvirzīties augšup vai atlēkt, ja mehanizētais darbarīks tiek atkal iedarbināts, atrodoties apstrādājamajā virsmā.
5. **Atbalstiet paneļus un visus lielos apstrādājamos materiālus, lai samazinātu slīpriņas iesprūšanas un atsitienu bīstamību.** Lieli apstrādājamie materiāli bieži vien ieliecās sava svara dēļ. Balsti jānovieto abās slīpriņas pusēs zem apstrādājamās virsmas, griezuma līnijas tuvumā un tuvu apstrādājamās virsmas malai.
6. **Esiet īpaši uzmanīgs, veicot „nišas griezumus” jau esošajās sienās vai citās aizsegtās vietās.** Caururbūšā slīpriņa var pārgriezt gāzes vai ūdens caurules, elektrības vadus vai priekšmetus, kas var izraisīt atsitienu.

Drošības brīdinājumi tieši smalkajai slīpēšanai:

1. **Neizmantojiet pārāk lielu slīpēšanas ripas papīru. Izvēlieties smilšpapīru smalkajai apstrādei, ievērojiet ražotāja ieteikumus.** Par slīpēšanas pamatni lielāks smilšpapīrs rada plīsuma briesmas, jo ripa var iekerties, plīst vai izraisīt atsitienu.

Drošības brīdinājumi apstrādei ar stieplu suku:

1. **Ņemiet vērā, ka stieplu sari tiek izviesti no sukas pat parastas darbības laikā. Nepārsllogojiet stieples, pieliekot sukai pārmērīgu spēku.** Stieplu sari var ātri caursist vieglus audumus un/vai ādu.

2. Ja apstrādei ar stieplu suku ieteikts izmantot aizsargu, nepieļaujiet stieplu ripas vai sukas saskari ar aizsargu. Darba slodzes un centrālās spēku iedarbībā stieplu ripai vai sukai var palielināties diametrs.
21. Raugieties, lai tuvumā nav elektrības vadu, ūdens cauruļu, gāzes cauruļu u. c., kas varētu radīt bīstamu situāciju, ja tos darba laikā sabojā ar šo darbarīku.

Papildu drošības brīdinājumi:

1. Lietojot slīpripas ar ieliektu jeb iedzilinātu centru, noteikti izmantojiet tikai slīpripas ar stikla šķiedras armatūru.
2. Šai slīpmašīnai NEKAD NEUZSTĀDIET kausveida akmens ripu. Šī slīpmašīna nav paredzēta šāda veida ripām, un to izmantošana var radīt smagas traumas.
3. Uzmanieties, lai nesabojātu vārpstu, atloku (it īpaši uzstādīšanas virsmu) un kontruzgriezni. Šo detaļu bojājums var izraisīt ripas salūšanu.
4. Pārliecinieties, ka slīpripa nepieskaras apstrādājamajai virsmai pirms slēdža ieslēgšanas.
5. Pirms lietot darbarīku materiāla apstrādei, īslaicīgi darbiniet to bez slodzes. Pievērsiet uzmanību tam, vai nav novērojama vibrācija vai svārstības, kas var norādīt uz nekvalitatīvu uzstādīšanu vai nepareizi līdzsvarotu slīpripu.
6. Lai slīpētu, izmantojiet tam paredzēto slīpripas virsmu.
7. Neatstājiet darbarīku ieslēgtu. Darbiniet darbarīku vienīgi tad, ja turat to rokās.
8. Neskarieties pie apstrādājamas detaļas tūlīt pēc darba izpildes; tā var būt ārkārtīgi karsta un apdedzināt ādu.
9. Nepieskarieties piederumiem tūlīt pēc darba izpildes; tie var būt ārkārtīgi karsti un apdedzināt ādu.
10. Ievērojiet ražotāja norādījumus slīpripu pareizai montāžai un lietošanai. Rīkojieties ar slīpripām uzmanīgi un uzglabājiet tās rūpīgi.
11. Neizmantojiet atsevišķus samazinošus ieliktņus vai pārejas, lai pielāgotu abrazīvās slīpripas ar liela diametra atveri.
12. Izmantojiet tikai šim darbarīkam paredzētus atlokus.
13. Darbarīkiem, kuri paredzēti lietošanai ar vītņotu slīpripu, pārliecinieties, ka slīpripas vītne garums atbilst vārpstas garumam.
14. Pārbaudiet, vai apstrādājamā detaļa ir pienācīgi atbalstīta.
15. Nemiet vērā, ka slīpripa turpina griezties arī pēc darbarīka izslēgšanas.
16. Ja darba vietā ir ārkārtīgi augsta temperatūra un liels mitrums, vai tā ir stipri piesārņota ar vadītspējīgiem putekļiem, izmantojiet īssavienojuma pārtraucēju (30 mA), lai garantētu operatora drošību.
17. Neizmantojiet darbarīku tādu materiālu apstrādei, kas satur azbestu.
18. Lietojot griezējripas, vienmēr izmantojiet ripas aizsargu ar putekļu savācēju, ko prasa vietēja likumdošana.
19. Griešanas ripas nedrīkst pakļaut jebkādam sānu spiedienam.
20. Strādājot nelietojiet auduma darba cimdus. Šķiedras no auduma cimdium var iekļūt darbarīkā, izraisot darbarīka bojājumus.

SAGLABĀJIET ŠOS NORĀDĪJUMUS.

▲BRĪDINĀJUMS: NEPIEĻAUJIET to, ka labu iemaņu vai izstrādājuma labas pārzināšanas (darbarīku atkārtoti ekspluatējot) rezultātā vairs stingri neievērojāt šī izstrādājuma drošības noteikumus. NEPAREIZI LIETOJOT darbarīku vai neievērojot šajā instrukcijā rokasgrāmatā minētos drošības noteikumus, var tikt gūtas smagas traumas.

Svarīgi drošības norādījumi par akumulatora kasetni

1. Pirms akumulatora lietošanas izlasiet visus norādījumus un brīdinājumus, kuri attiecas uz (1) akumulatora lādētāju, (2) akumulatoru un (3) ierīci, kurā tiek izmantots akumulators.
2. Akumulatora kasetni nedrīkst ne pārveidot, ne izjaukt. Citādi var tikt izraisīta aizdegšanās, pārmērīgs karstums vai sprādziens.
3. Ja akumulatora darbības laiks kļūva ievērojami īsāks, nekavējoties pārtrauciet to izmantot. Citādi, tas var izraisīt pārkarsējumu, uzliesmojumu vai pat sprādzienu.
4. Ja elektrolīts nonāk acīs, izskalojiet tās ar tīru ūdens un nekavējoties griezieties pie ārsta. Tas var izraisīt redzes zaudēšanu.
5. Neradīet īssavienojumu akumulatora kasetnē:
 - (1) Nepieskarieties spailēm ar elektrību vadošiem materiāliem.
 - (2) Neuzglabājiet akumulatoru kasetni kopā ar citiem metāla priekšmetiem, tādiem kā naglas, monētas u. c.
 - (3) Nepakļaujiet akumulatora kasetni ūdens vai lietus iedarbībai.
 Akumulatora īssavienojums var radīt spēcīgu strāvas plūsmu, pārkarsānu, uzliesmojumu un pat sabojāt akumulatoru.
6. Neglabājiet un neizmantojiet darbarīku un akumulatora kasetni vietās, kur temperatūra var sasniegt vai pārsniegt 50 °C (122 °F).
7. Nededziniet akumulatora kasetni, pat ja tā ir stipri bojāta vai pilnībā nolietota. Akumulatora kasetne ugunī var eksplodēt.
8. Akumulatora kasetni nedrīkst naglot, griezt, saspīest, mest vai nomest, kā arī pa to nedrīkst sist ar cietu priekšmetu. Šādas darbības var izraisīt aizdegšanos, pārmērīgu karstumu vai sprādzienu.
9. Neizmantojiet bojātu akumulatoru.
10. Uz izmantotajiem lītiņa jonu akumulatoriem attiecas likumdošanas prasības par bīstamiem izstrādājumiem.

Komerציālā transportēšanā, ko veic, piemēram, trešās puses, transporta uzņēmumi, jāievēro uz iesaiņojuma un marķējuma norādītās īpašās prasības.

Lai izstrādājumu sagatavotu nosūtīšanai, jāsaziņās ar bīstamo materiālu speciālistu. Ievērojiet arī citus attiecināmos valsts normatīvus. Valējus kontaktus nosedziet ar līmlenti vai citādi pārklājiet, bet akumulatoru iesaiņojiet tā, lai sainītas nevarētu izkustēties.

11. Lai utilizētu akumulatora kasetni, izņemiet to no darbarīka un likvidējiet drošā vietā. Ievērojiet vietējos noteikumus par akumulatora likvidēšanu.
12. Izmantojiet šos akumulatorus tikai ar izstrādājumiem, kurus norādījis Makita. Ievietojiet šos akumulatorus nesaderīgos izstrādājumos, var rasties ugunsgrēks, pārmērīgs karstums, tie var uzsprāgt vai no tiem var iztect elektrolīts.
13. Ja darbarīks netīks lietots ilgu laiku, no tā jāizņem akumulatorus.
14. Lietošanas laikā vai pēc tās akumulatora kasetne var uzkrāt siltumu, kas var izraisīt apdegumus vai zemas temperatūras apdegumus. Ar karstu akumulatora kasetni apējieties rūpīgi.
15. Nepieskarieties darbarīka izvadam uzreiz pēc lietošanas, jo tas var būt sakarsis un izraisīt apdegumus.
16. Neļaujiet akumulatora kasetnes izvadā, atverēs un rievās uzkrāties skaidām, putekļiem vai augšnei. Tādējādi darbarīks vai akumulatora kasetne var sākt darboties nekalitatīvi vai tikt sabojāti.
17. Neizmantojiet akumulatora kasetni augstsprieguma līniju tuvumā, izņemot gadījumus, kad darbarīks ir piemērots lietošanai augstsprieguma līniju tuvumā. Citādi darbarīks vai akumulatora kasetne var sākt darboties nepareizi vai tikt sabojāti.
18. Glabājiet akumulatoru bērniem nepieejamā vietā.

SAGLABĀJIET ŠOS NORĀDĪJUMUS.

UZMANĪBU: Lietojiet tikai oriģinālos Makita akumulatorus. Ja lietojat neoriģinālus Makita akumulatorus vai pārveidotus akumulatorus, tie var uzsprāgt un izraisīt aizdegšanos, traumas un materiālos zaudējumus. Tīks anulēta arī Makita darbarīka un lādētāja garantija.

Ieteikumi akumulatora kalpošanas laika pagarināšanai

1. Uzlādējiet akumulatora kasetni, pirms tā ir pilnībā izlādējusies. Vienmēr, kad ievērojat, ka darbarīka darba jauda zudusi, apturiet darbarīku un uzlādējiet akumulatora kasetni.
2. Nekad neuzlādējiet pilnībā uzlādētu akumulatora kasetni. Pārmērīga uzlāde saīsina akumulatora kalpošanas laiku.
3. Uzlādējiet akumulatora kasetni istabas temperatūrā 10 °C - 40 °C. Karstai akumulatora kasetnei pirms uzlādes ļaujiet atdzist.
4. Kad akumulatora kasetne netiek izmantota, izņemiet to no darbarīka vai lādētāja.
5. Uzlādējiet litiņa jonu akumulatora kasetni, ja to ilgstoši nelietosit (vairāk nekā sešus mēnešus).

FUNKCIJU APRAKSTS

UZMANĪBU: Pirms darbarīka regulēšanas vai tā darbības pārbaudes vienmēr pārlicinieties, ka darbarīks ir izslēgts un akumulatora kasetne ir izņemta.

Akumulatora kasetnes uzstādīšana un izņemšana

UZMANĪBU: Vienmēr pirms akumulatora kasetnes uzstādīšanas vai noņemšanas izslēdziet darbarīku.

UZMANĪBU: Uzstādot vai izņemot akumulatora kasetni, darbarīku un akumulatora kasetni turiet cieši. Ja darbarīku un akumulatora kasetni netur cieši, tie var izkrist no rokām un radīt bojājumus darbarīkam un akumulatora kasetnei, kā arī izraisīt ievainojumus.

- Att. 1: 1. Sarkanās krāsas indikators 2. Poga 3. Akumulatora kasetne

Lai izņemtu akumulatora kasetni, izvelciet to no darbarīka, pārbīdot kasetnes priekšpusē esošo pogu.

Lai uzstādītu akumulatora kasetni, salāgojiet mēlīti uz akumulatora kasetnes ar rievu ietvarā un iebīdīet to vietā. Ievietojiet to līdz galam, līdz tā ar klikšķi nofiksējas. Ja pogas augšējā daļā redzams sarkanās krāsas indikators, tas nozīmē, ka tā nav pilnīgi fiksēta.

UZMANĪBU: Vienmēr ievietojiet akumulatora kasetni tā, lai sarkanais indikators nebūtu redzams. Pretējā gadījumā tā var nejauši izkrist no darbarīka un izraisīt jums vai apkārtējiem traumas.

UZMANĪBU: Neievietojiet akumulatora kasetni ar spēku. Ja kasetne neslīd ietvarā viegli, tā nav pareizi ielikta.

Atlikušās akumulatora jaudas indikators

Nospiediet akumulatora kasetnes pārbaudes pogu, lai pārbaudītu akumulatora atlikušo uzlādes līmeni. Indikatori iedegsies uz dažām sekundēm.

- Att. 2: 1. Indikatora lampas 2. Pārbaudes poga

Indikatora lampas			Atlikusī jauda
Iededzies	Izslēgts	Mirgo	
			No 75% līdz 100%
			No 50% līdz 75%
			No 25% līdz 50%
			No 0% līdz 25%
			Uzlādējiet akumulatoru.
			Iespējama akumulatora kļūme.

PIEZĪME: Reālā jauda var nedaudz atšķirties no norādītās atkarībā no lietošanas apstākļiem un apkārtējās temperatūras.

PIEZĪME: Akumulatora aizsardzības sistēmas darbības laikā mirgo pirmais (kreisais malējais) indikators.

Darbarīka/akumulatora aizsardzības sistēma

Darbarīkam ir darbarīka/akumulatora aizsardzības sistēma. Šī sistēma automātiski izslēdz strāvas padevi motoram, lai pagarinātu darbarīka un akumulatora darbmūžu. Lietošanas laikā darbarīks automātiski pārstās darboties, ja darbarīku vai akumulatoru pakļaus kādam no šādiem apstākļiem.

Aizsardzība pret pārslodzi

Ja darbarīku/akumulatoru lieto tā, ka tas patērē pār mērīgi lielu strāvas daudzumu, darbarīks automātiski bez iepriekšēja brīdinājuma pārstāj darboties. Šādā gadījumā izslēdziet darbarīku un pārtrauciet darbību, kas izraisīja darbarīka pārslodzi. Pēc tam ieslēdziet darbarīku, lai atsāktu darbu.

Aizsardzība pret pārkaršanu

Kad darbarīks/akumulators ir pārkaris, darbarīks automātiski pārstāj darboties. Pirms atkārtotas ieslēgšanas ļaujiet darbarīkam atdzist.

Aizsardzība pret akumulatora pārmērīgu izlādi

Ja akumulatora jaudas līmenis ir zems, darbarīks automātiski pārstāj darboties. Šajā gadījumā akumulatoru izņemiet no darbarīka un uzlādējiet.

Aizsardzības bloķētāja ieslēgšana

Ja aizsardzības sistēma ieslēgsies atkārtoti, darbarīks tiek bloķēts.

Šādā gadījumā darbarīks nesāk darboties pat pēc ieslēgšanas un ieslēgšanas. Lai izslēgtu aizsardzības bloķētāju, akumulatoru izņemiet, ievietojiet akumulatora lādētājā un nogaidiet, līdz beidzas uzlāde.

Vārpstas bloķētājs

Nospiediet vārpstas bloķētāju, lai novērstu vārpstas griešanas piederumu uzstādīšanas vai noņemšanas laikā.

► **Att.3:** 1. Vārpstas bloķētājs

IEVĒRĪBAI: Nekad neieslēdziet vārpstas bloķētāju, kad griežas vārpsta. Tas var sabojāt darbarīku.

Slēdža darbība

⚠UZMANĪBU: Vienmēr pirms akumulatora kasetnes uzstādīšanas darbarīkā pārbaudiet, vai slēdšlīdzis darbojas pareizi un pārslēdzas atpakaļ stāvoklī "OFF" (Izslēgts), nospiežot slēdža aizmugurējo daļu.

⚠UZMANĪBU: Slēdzi var fiksēt stāvoklī "ON" (Ieslēgts), lai atvieglotu operatora darbu, strādājot ilgstoši. Esiet uzmanīgs, fiksējot darbarīka slēdzi stāvoklī „ON” (Ieslēgts); stingri turiet darbarīku.

Lai iedarbinātu darbarīku, nospiediet slēdšlīdzņa aizmugurējo daļu un pārbīdiet to pozīcijā „I (ON)” (Ieslēgts). Lai darbarīks darbotos nepārtraukti, nospiediet slēdšlīdzņa priekšējo daļu, lai to nofiksētu.

► **Att.4:** 1. Slēdšlīdzis

Lai apturētu darbarīku, nospiediet slēdšlīdzņa aizmugurējo daļu un pārbīdiet to pozīcijā „O (OFF)” (Izslēgts).

► **Att.5:** 1. Slēdšlīdzis

Nejaušas atkārtotas ieslēgšanas nepieļaušanas funkcija

Uzstādot akumulatora kasetni, slēdšlīdzim esot stāvoklī „I (ON)” (Ieslēgts), darbarīks nesāk darboties. Lai darbarīku ieslēgtu, slēdšlīdzī pārbīdiet stāvoklī „O (OFF)” (Izslēgts) un tad stāvoklī „I (ON)” (Ieslēgts).

Elektroniskā griezes momenta vadības funkcija

Darbarīks elektroniski nosaka stāvokli, kad rīpa vai piederums var iesprūst. Šādā gadījumā darbarīks automātiski izslēdzas, lai vārpsta vairs negrieztos (taču tas nenovērš atsitieni). Lai atkārtoti ieslēgtu darbarīku, vispirms to izslēdziet, novērsiet darbarīka ātruma pēkšņās samazināšanās iemeslu un tad atkal ieslēdziet darbarīku.

Pakāpeniskas jeb laidenās ieslēgšanas funkcija

Pakāpeniskas ieslēgšanas funkcija mazina iedarbināšanas reakciju.

MONTĀŽA

⚠UZMANĪBU: Pirms darbarīka regulēšanas vai tā darbības pārbaudes vienmēr pārliecinieties, ka darbarīks ir izslēgts un akumulatora kasetne ir izņemta.

Sānu roktura uzstādīšana (rokturis)

⚠UZMANĪBU: Pirms darbarīka izmantošanas vienmēr pārliecinieties, ka sānu rokturis ir uzstādīts droši.

Stingri pieskrūvējiet sānu rokturi pie darbarīka, kā parādīts attēlā.

► **Att.6**

Slīrīpas aizsarga uzstādīšana un noņemšana

▲BRĪDINĀJUMS: Izmantojot slīrīpas ar ieliektu centru, plāksņu disku, lokanās ripas vai stieplu sukas ripas, slīrīpas aizsargs jāuzstāda uz darbarīka tā, lai aizsarga slēgtā daļa vienmēr būtu vērsta pret operatoru.

▲BRĪDINĀJUMS: Pārbaudiet, vai slīrīpas aizsargs ir droši nostiprināts ar aiztura sviru, izmantojot vienu no slīrīpas aizsarga atverēm.

▲BRĪDINĀJUMS: Izmantojot abrazīvo griezējripu vai dimanta ripu, lietojiet tikai īpašu griezējripiem paredzētu ripas aizsargu.

(Dažās Eiropas valstīs, izmantojot dimanta ripu, var lietot parasto aizsargu. Ievērojiet savas valsts noteikumus.)

Slīrīpai ar ieliektu centru, plāksņu ripai, lokanajai ripai, stieplu sukas ripai/abrazīvai griešanas ripai, dimanta ripai

1. Nospiediet bloķēšanas sviru un uzlieciet slīrīpas aizsargu tā, lai uz slīrīpas aizsarga malas esošie izciļņi sakristu ar gultņa korpusa ierobiem.

► **Att.7:** 1. Bloķēšanas svira 2. Ierobs 3. Izvirzījums

2. Spiediet bloķēšanas sviru A bultiņas virzienā un vienlaikus uzspiediet slīrīpas aizsargu, satverot to aiz daļiņ, kas attēlā apzīmētas ar burtu B.

► **Att.8:** 1. Slīrīpas aizsargs 2. Atvere

PIEZĪME: Spiediet slīrīpas aizsargu tieši uz leju. Citādi nav iespējams pilnīgi uzstādīt slīrīpas aizsargu.

3. Saglabājot 2. punktā aprakstīto bloķēšanas sviras un slīrīpas aizsarga pozīciju, grieziet slīrīpas aizsargu C punkta virzienā un tad pielāgojiet slīrīpas aizsarga leņķi atbilstoši veicamajam darbam, lai nodrošinātu operatora aizsardzību. Savietojiet bloķēšanas sviru ar kādu no atverēm slīrīpas aizsargā un tad atlaidiet bloķēšanas sviru, lai nofiksētu slīrīpas aizsargu.

► **Att.9:** 1. Slīrīpas aizsargs 2. Atvere

PIEZĪME: Pilnībā uzspiediet slīrīpas aizsargu. Citādi slīrīpas aizsargu nav iespējams pagriezt.

Lai noņemtu slīrīpas aizsargu, izpildiet iepriekš minētās darbības pretējā secībā.

Slīrīpas ar ieliektu centru vai plāksņu diska uzstādīšana un noņemšana

Papildu piederumi

▲BRĪDINĀJUMS: Izmantojot slīrīpas ar ieliektu centru vai plāksņu diskus, slīrīpas aizsargs jāuzstāda uz darbarīka tā, lai aizsarga slēgtā daļa vienmēr būtu vērsta operatora virzienā.

▲UZMANĪBU: Pārliedzieties, ka iekšējā atloka stiprinājuma daļa precīzi iekļaujas slīrīpas ar ieliektu centru vai plāksņu diska iekšējā diametrā. Ja iekšējo atloku uzstādīsiet nepareizajā pusē, var rasties bīstama vibrācija.

Iekšējo atloku uzstādiat uz vārpstas.

Iekšējā atloka ieliektu daļu uzstādiat uz taisnās daļas vārpstas apakšdaļā.

Slīrīpu ar ieliektu centru vai plāksņu disku uzlieciet uz iekšējā atloka un pieskrūvējiet kontruzgriezni uz vārpstas.

► **Att.10:** 1. Kontruzgrieznis 2. Slīrīpa ar ieliektu centru 3. Iekšējais atloks 4. Stiprinājuma daļa

Lai pievilktu kontruzgriezni, stingri nospiediet vārpstas bloķētāju, lai vārpsta negrieztos, tad ar kontruzgriežņa atslēgu stingri pievelciet to pulksteņrādītāju kustības virzienā.

► **Att.11:** 1. Kontruzgriežņa atslēga 2. Vārpstas bloķētājs

Lai slīrīpu noņemtu, iepriekš norādītās darbības izpildiet pretējā secībā.

Lokanās ripas uzstādīšana un noņemšana

Papildu piederumi

▲BRĪDINĀJUMS: Ja darbarīkam izmantojat lokano ripu, vienmēr lietojiet komplektā iekļauto aizsargu. Lietošanas laikā ripa var sadrupt, bet aizsargs palīdz mazināt traumu bīstamību.

► **Att.12:** 1. Kontruzgrieznis 2. Lokanā ripa 3. Balsta starplika 4. Iekšējais atloks

Ievērojiet norādījumus attiecībā uz slīrīpu ar ieliektu centru; tomēr uz ripas uzlieciet arī balsta starpliku. Montāžas secību skatiet šīs rokasgrāmatas piederumu lappusē.

Abrazīvās ripas uzstādīšana un noņemšana

Papildu piederumi

► **Att.13:** 1. Smilšpapīra jeb smalkās slīpēšanas kontruzgrieznis 2. Abrazīvā ripa 3. Gumijas starplika

1. Uz vārpstas uzstādiat gumijas paliktņi.

2. Uzstādiat ripu uz gumijas starplikas un uzskrūvējiet smilšpapīra slīpēšanas kontruzgriezni uz vārpstas.

3. Turiet vārpstu ar vārpstas bloķētāju un ar kontruzgriežņa atslēgu cieši pievelciet smilšpapīra slīpēšanas kontruzgriezni pulksteņrādītāju kustības virzienā.

Lai noņemtu ripu, izpildiet iepriekš norādītās darbības pretējā secībā.

PIEZĪME: Izmantojiet šajā rokasgrāmatā norādītos slīpmašīnas piederumus. Tie jāiegādājas atsevišķi.

Ezynut uzstādīšana vai noņemšana

Papildu piederumi

▲UZMANĪBU: Neizmantojiet Ezynut ar virsatloku vai lenķa slīpmašīnu, kurai modeļa numura beigās ir burts „F”. Šādi atloki ir ļoti bieži, un vārpsta nevar noturēt visu vītni.

- **Att.14:** 1. Ezynut 2. Abrazīva ripa 3. Iekšējais atloks 4. Vārpsta

Uzstādiet iekšējo atloku, abrazīvu ripu un Ezynut uz vārpstas tādā veidā, lai Makita logotips uz Ezynut atrodas ārpusē.

- **Att.15:** 1. Vārpstas bloķētājs

Cieši piespiediet vārpstas bloķētāju un pieskrūvējiet Ezynut, griežot abrazīvo ripu pulksteņrādītāja virzienā, cik tālu iespējams pagriezt.

Grieziet ārējo gredzenu Ezynut pretēji pulksteņrādītāja virzienam, lai to atskrūvētu.

- **Att.16:** 1. Bultiņa 2. Ierobs

- **Att.17**

PIEZĪME: Ezynut var atskrūvēt ar roku, ja bulta atrodas pret ierobu. Pretējā gadījumā atskrūvēšanai nepieciešama kontruzgriežņa uzgriežņatslēga. Ievietojiet vienu uzgriežņatslēgas tapu atverē un pagrieziet Ezynut pretēji pulksteņrādītāja virzienam.

Abrazīvās griezējriņas/dimanta ripas uzstādīšana

Papildu piederumi

▲BRĪDINĀJUMS: Izmantojot abrazīvo griezējriņu vai dimanta ripu, lietojiet tikai īpašu griezējriņām paredzētu ripas aizsargu.

(Dažās Eiropas valstīs, izmantojot dimanta ripu, var lietot parasto aizsargu. Ievērojiet savas valsts noteikumus.)

▲BRĪDINĀJUMS: NEKAD NELIETOJIET griezējriņu sānu slīpēšanai.

- **Att.18:** 1. Kontruzgriežnis 2. Abrazīvā griezējriņa/dimanta ripa 3. Iekšējais atloks 4. Ripas aizsargs abrazīvai griezējriņai/dimanta ripai

Veicot uzstādīšanu, izpildiet norādījumus, kas paredzēti slīpripi ar ieliektu centru.

Kontruzgriežņa un iekšējā atloka uzstādīšanas virziena maiņa atkarīga no ripas veida un biežuma.

Skatiet attiecīgos parametrus.

Uzstādot abrazīvo griezējriņu:

- **Att.19:** 1. Kontruzgriežnis 2. Abrazīvā griezējriņa (plānāka par 4 mm) 3. Abrazīvā griezējriņa (4 mm vai biežāka) 4. Iekšējais atloks

Uzstādot dimanta ripu:

- **Att.20:** 1. Kontruzgriežnis 2. Dimanta ripa (plānāka par 4 mm) 3. Dimanta ripa (4 mm vai biežāka) 4. Iekšējais atloks

Kausveida stieplu suku uzstādīšana

Papildu piederumi

▲UZMANĪBU: Neizmantojiet bojātu un nelīdzsvarotu suku. Bojātas suku izmantošana var palielināt salauztu suku stieplu radītu traumu bīstamību.

- **Att.21:** 1. Kausveida stieplu suka

Akumulatora kasetni izņemiet no darbarīka un darbarīku atlieciet otrādi, lai viegli piekļūtu vārpstai.

No vārpstas noņemiet piederumus. Kausveida stieplu suku uzskrūvējiet uz vārpstas un pievelciet ar komplekta uzgriežņatslēgu.

Stieplu suku ripas uzstādīšana

Papildu piederumi

▲UZMANĪBU: Neizmantojiet bojātu un nelīdzsvarotu stieplu ripas suku. Bojātas stieplu ripas suku izmantošana var palielināt salauztu stieplu radītu traumu bīstamību.

▲UZMANĪBU: Lietojot stieplu ripas suku, VIENMĒR izmantojiet aizsargu, sekojot, lai viss ripas diametrs iekļaujas aizsargā. Lietošanas laikā ripa var sadrupot, bet aizsargs palīdz mazināt traumu bīstamību.

- **Att.22:** 1. Stieplu ripas suka

Akumulatora kasetni izņemiet no darbarīka un darbarīku atlieciet otrādi, lai viegli piekļūtu vārpstai.

No vārpstas noņemiet piederumus. Stieplu ripas suku uzskrūvējiet uz vārpstas un pievelciet ar uzgriežņu atslēgām.

EKSPLOATĀCIJA

▲BRĪDINĀJUMS: Strādājot ar darbarīku, nekad nepielieciet pārmērīgu spēku. Darbarīka svars rada pietiekamu spiedienu. Pārmērīgs spēks vai spiediens uz darbarīka var izraisīt ripas salūšanu, kas ir ļoti bīstami.

▲BRĪDINĀJUMS: VIENMĒR nomainiet ripu, ja slīpēšanas laikā darbarīks nokrīt.

▲BRĪDINĀJUMS: NEKAD nesītiēt slīpripi pret apstrādājamo materiālu.

▲BRĪDINĀJUMS: Izvairieties no ripas lēkāšanas un iekēršanās, it īpaši stūru, asu malu utt. apstrādē. Tas var izraisīt vadības zaudēšanu un atsitieni.

▲BRĪDINĀJUMS: NEKĀDĀ GADĪJUMĀ neizmantojiet darbarīku ar koku zāģēšanas asmeņiem un citiem zāģu asmeņiem. Šādus asmeņus izmantojot slīpmašīnā, var rasties atsitieni, kura ietekmē var zaudēt vadību pār darbarīku un gūt traumas.

⚠UZMANĪBU: Nekādā gadījumā neieslēdziet darbarīku, ja tas ir saskarē ar apstrādājamo materiālu, jo operators var gūt traumas.

⚠UZMANĪBU: Darba laikā vienmēr lietojiet aizsargbrilles vai sejas aizsargu.

⚠UZMANĪBU: Pēc darba vienmēr izslēdziet darbarīku un uzgaidiet, līdz ripa pilnīgi apstājas, pirms noliekat darbarīku.

⚠UZMANĪBU: VIENMĒR stingri turiet darbarīku ar vienu roku uz korpusa un ar otru uz sānu roktura.

Slīpēšana un līdzināšana ar smilšpapīru

► Att.23

Ieslēdziet darbarīku un tad nolaidiet slīpripu vai disku uz materiāla.

Slīpripas vai diska malu turiet apmēram 15 grādu leņķī pret apstrādājamo virsmu.

Jaunās slīpripas iestrādāšanas laikā nelietojiet darbarīku turpgaitas virzienā, citādi tas var iegriezties apstrādājamā materiālā. Kad slīpripas mala lietošanas gaitā ir noapaļojusies, slīpripu var izmantot darbam gan turpgaitas, gan atpakaļgaitas virzienā.

Abrazīvās griezējripas un dimanta ripas lietošana

Papildu piederumi

⚠BRĪDINĀJUMS: Neļaujiet slīpripai iesprūst; neizmantojiet pārmērīgu spiedienu. Negrieziet pārāk dziļi. Ripas pārslogošana palielina slodzi un iespēju ripai sašķiebties vai aizķerties griezumā, kā arī atsitienu, ripas salūšanas un motora pārkaršanās iespējamību.

⚠BRĪDINĀJUMS: Nesāciet griešanu, darbarīkam atrodoties apstrādājamajā virsmā. Ļaujiet ripai sasniegt pilnu ātrumu un uzmanīgi ievietojiet to griezumā, virzot darbarīku uz priekšu pāri apstrādājamā materiāla virsmai. Ripa var aizķerties, iznākt no griezuma vai radīt atsitienu, ja mehāniskais darbarīks tiek iedarbināts, ripai atrodoties apstrādājamā materiālā.

⚠BRĪDINĀJUMS: Griešanas laikā nekad nemainiet slīpripas leņķi. Pieliekot griezējripai sāniski vērstu spēku (piemēram, slīpējot), ripa var splaisāt un salūzt, radot smagas traumas.

⚠BRĪDINĀJUMS: Dimanta ripa jālieto perpendikulāri griežamajam materiālam.

Darbības piemērs: darbs ar abrazīvo griešanas ripu
► Att.24

Darbības piemērs: darbs ar dimanta ripu
► Att.25

Lietošana kopā ar kausveida stieplu suku

Papildu piederumi

⚠UZMANĪBU: Pārbaudiet suku darbību, darbinot darbarīku bez slodzes, un nodrošinot, lai neviens neatrastos suku priekšā vai tās rotācijas plaknē.

IEVĒRĪBAI: Izvairieties no pārmērīga spēka piemērošanas, kas var salocīt stieples, lietojot kausveida stieplu suku. Tas var izraisīt priekšlaicīgu salūšanu.

Darbības piemērs: darbs ar kausveida stieplu suku
► Att.26

Lietošana kopā ar stieplu ripas suku

Papildu piederumi

⚠UZMANĪBU: Pārbaudiet stieplu ripas suku darbību, darbinot darbarīku bez slodzes un nodrošinot, lai neviens neatrastos stieplu ripas suku priekšā vai tās rotācijas plaknē.

IEVĒRĪBAI: Izvairieties no pārmērīga spiediena, kas var salocīt stieples, lietojot stieplu ripas suku. Tas var izraisīt priekšlaicīgu salūšanu.

Darbības piemērs: darbs ar stieplu suku ripu
► Att.27

APKOPE

⚠UZMANĪBU: Pirms darbarīka pārbaudes vai apkopes vienmēr pārliecinieties, ka darbarīks ir izslēgts un akumulatora kasetne ir izņemta.

IEVĒRĪBAI: Nekad neizmantojiet gazoļīnu, benzīnu, atšķaidītāju, spirtu vai līdzīgus šķidrumus. Tas var radīt izbalēšanu, deformāciju vai plaisas.

Lai saglabātu produkta DROŠU un UZTICAMU darbību, remontdarbus, apkopi un regulēšanu uzticiet veikt tikai Makita pilnvarotam apkopes centram un vienmēr izmantojiet tikai Makita rezerves daļas.

Gaisa ventilācijas atveru tīrīšana

Gaisa ventilācijas atverēm jābūt tīrām. Regulāri tīriet darbarīka ventilācijas atveres, kā arī iekreiz, kad atveres nosprostojas.

► Att.28: 1. Izplūdes atvere 2. Ieplūdes atvere

No ieplūdes atveres noņemiet putekļu aizsargu un notīriet, lai gaisa cirkulācija būtu brīva.

► Att.29: 1. Putekļu aizsargs

IEVĒRĪBAI: Kad putekļu aizsargs aizsērējis ar neīrējiem vai svešķermeņiem, iztīriet to. Ja darbarīku turpina lietot ar aizsērējušu putekļu aizsargu, darbarīku var sabojāt.

PAPILDU PIEDERUMI

⚠ UZMANĪBU: Šādi piederumi un papildierīces tiek ieteiktas lietošanai ar šajā rokasgrāmatā aprakstīto Makita darbarīku. Izmantojot citus piederumus vai papildierīces, var tikt radīta traumu gūšanas bīstamība. Piederumu vai papildierīci izmantojiet tikai paredzētajam mērķim.

Ja jums vajadzīga palīdzība vai precīzāka informācija par šiem piederumiem, vērsieties savā tuvākajā Makita apkopes centrā.

- Makita oriģinālais akumulators un lādētājs

► **Att.30**

-	150 mm (6") modelis
1	Rokturis 36
2	Slīpripas aizsargs (slīpripai)
3	Iekšējais atloks
4	Slīpripa ar ieliektu centru/plāksņu disks
5	Kontruzgrieznis
6	Balsta starplika
7	Lokanā ripa
8	Gumijas starplika 125
9	Abrazīvā ripa
10	Smilšpapīra jeb smalkās slīpēšanas kontruzgrieznis
11	Stieplu ripas suka
12	Kausveida stieplu suka
13	Slīpripas aizsargs (griešanas ripai) *1
14	Abrazīvā griezējripa/dimanta ripa
-	Kontruzgriezņa atslēga

PIEZĪME: *1 Dažās Eiropas valstīs, lietojot dimanta ripu, abas ripas puses sedzošā, īpašā aizsarga vietā var izmantot parasto aizsargu. Ievērojiet savas valsts normatīvus.

PIEZĪME: Daži sarakstā norādītie izstrādājumi var būt iekļauti instrumenta komplektācijā kā standarta piederumi. Tie dažādās valstīs var būt atšķirīgi.

SPECIFIKACIJOS

Modelis:		GA035G
Disko skersmuo		150 mm (6")
Didž. disko storis		6,4 mm
Veleno sriegis		M14 arba 5/8" (priklauso nuo šalies)
Vardinis greitis (n)		8 500 min ⁻¹
Bendrasis ilgis	su BL4025	398 mm
	su BL4040	410 mm
Grynasis svoris		3,0–3,7 kg
Nominali įtampa		Nuol. sr. 36 V–40 V maks.

- Atliekame tęstinus tyrimus ir nuolatos tobuliname savo gaminius, todėl čia pateikiamos specifikacijos gali būti keičiamos be įspėjimo.
- Skirtingose šalyse specifikacijos gali skirtis.
- Svoris gali priklausyti nuo priedo (-ų), įskaitant akumulatoriaus kasetę. Lengviausias ir sunkiausias deriniai pagal EPTA 2014 m. sausio mėn. procedūrą yra parodyti lentelėje.

Tinkama akumulatoriaus kasetė ir (arba) įkroviklis

Akumulatoriaus kasetė	BL4025 / BL4040
Įkroviklis	DC40RA

- Atsižvelgiant į gyvenamosios vietos regioną, kai kurios pirmiau nurodytos akumulatoriaus kasetės ir įkrovikliai gali būti neprieinami.

⚠️ JSPĖJIMAS: Naudokite tik akumulatoriaus kasetes ir įkroviklius, kurie nurodyti anksčiau. Naudojant bet kurias kitas akumulatoriaus kasetes ir įkroviklius, gali kilti sužeidimo ir gaisro pavojus.

Numatytoji naudojimo paskirtis

Įrankis yra skirtas šlifuoti, šlifuoti šlifavimo popieriumi, šveisti vieliniu šepetėliu, metalui ir akmeniui pjauti nenaudojant vandens.

Triukšmas

Įprastas triukšmo A lygis, nustatytas pagal EN60745-2-3:
 Garso slėgio lygis (L_{pA}): 82 dB (A)
 Garso galios lygis (L_{WA}): 93 dB (A)
 Paklaida (K): 3 dB (A)

PASTABA: Paskelbta (-os) triukšmo reikšmė (-ės) nustatyta (-os) pagal standartinį testavimo metodą ir jį galima naudoti vienam įrankiui palyginti su kitu.

PASTABA: Paskelbta (-os) triukšmo reikšmė (-ės) taip pat gali būti naudojama (-os) norint preliminariai įvertinti triukšmo poveikį.

⚠️ JSPĖJIMAS: Dėvėkite ausų apsaugą.

⚠️ JSPĖJIMAS: Faktiškai naudojant elektrinį įrankį, keliamo triukšmo dydis gali skirtis nuo paskelbtos (-ų) reikšmės (-ių), priklausomai nuo būdų, kuriais yra naudojamas šis įrankis, ir ypač nuo to, kokio tipo ruošinys apdirbamas.

⚠️ JSPĖJIMAS: Siekdami apsaugoti operatorių, būtina įvertinkite saugos priemones, remdamiesi vibracijos poveikio įvertinimu esant faktinėms naudojimo sąlygoms (atsižvelgdami į visas darbo ciklo dalis, pavyzdžiui, ne tik kiek laiko įrankis veikia, bet ir kiek kartų jis yra išjungiamas bei kai jis veikia be apkrovų).

Vibracija

Vibracijos bendroji vertė (trიაšio vektoriaus suma) nustatyta pagal EN60745-2-3 standartą:

Darbo režimas: paviršiaus šlifavimas su normalia šonine rankena

Vibracijos emisija ($a_{h,AG}$): 7,0 m/s²

Paklaida (K): 1,5 m/s²

Darbo režimas: paviršiaus šlifavimas su antivibracine šonine rankena

Vibracijos emisija ($a_{h,AG}$): 9,5 m/s²

Paklaida (K): 1,5 m/s²

Darbo režimas: diskinis šlifavimas su normalia šonine rankena

Vibracijos emisija ($a_{h,DS}$): 4,5 m/s²

Paklaida (K): 1,5 m/s²

Darbo režimas: diskinis šlifavimas su antivibracine šonine rankena

Vibracijos emisija ($a_{h,DS}$): 4,0 m/s²

Paklaida (K): 1,5 m/s²

PASTABA: Paskelbta (-os) vibracijos bendroji (-osios) reikšmė (-ės) nustatyta (-os) pagal standartinį testavimo metodą ir jį galima naudoti vienam įrankiui palyginti su kitu.

PASTABA: Paskelbta (-os) vibracijos bendroji (-osios) reikšmė (-ės) taip pat gali būti naudojama (-os) norint preliminariai įvertinti vibracijos poveikį.

⚠️ JSPĖJIMAS: Faktiškai naudojant elektrinį įrankį, keliamos vibracijos dydis gali skirtis nuo paskelbtos (-ų) reikšmės (-ių), priklausomai nuo būdų, kuriais yra naudojamas šis įrankis, ir ypač nuo to, kokio tipo ruošinys apdirbamas.

⚠️ JSPĖJIMAS: Siekiami apsaugoti operatorių, būtinai įvertinkite saugos priemones, remdamiesi vibracijos poveikio įvertinimu esant faktinėms naudojimo sąlygoms (atsižvelgdami į visas darbo ciklo dalis, pavyzdžiui, ne tik kiek laiko įrankis veikia, bet ir kiek kartų jis yra išjungiamas bei kai jis veikia be apkravų).

⚠️ JSPĖJIMAS: Paskelbtasis keliamos vibracijos dydis galioja naudojant šį elektrinį įrankį pagrindiniams, numatytiems darbams atlikti. Tačiau, jeigu įrankis naudojamas kitiems darbams atlikti, keliamos vibracijos dydis gali būti kitoks.

EB atitikties deklaracija

Tik Europos šalims

EB atitikties deklaracija yra pridedama kaip šio instrukcijos vadovo A priedas.

SAUGOS ĮSPĖJIMAI

Bendrieji įspėjimai dirbant elektriniais įrankiais

⚠️ JSPĖJIMAS: Perskaitykite visus saugos įspėjimus, instrukcijas, iliustracijas ir techninius duomenis, pateiktus kartu su šiuo elektriniu įrankiu. Nesilaikant visų toliau išvardytų instrukcijų galima patirti elektros smūgį, gali kilti gaisras ir (arba) galima sunkiai susižaloti.

Išsaugokite visus įspėjimus ir instrukcijas, kad galėtumėte jas peržiūrėti ateityje.

Terminas „elektrinis įrankis“ pateiktuose įspėjimuose reiškia į maitinimo tinklą jungiamą (laidinį) elektrinį įrankį arba akumulatoriaus maitinamą (belaidį) elektrinį įrankį.

Įspėjimai dėl belaidžio šlifuoaklio saugos

Bendri saugos įspėjimai šlifuojant, šlifuojant šlifavimo popieriumi, šveičiant vieliniu šepetčiu ir atliekant šlifuojamojo pjaustymo darbus:

1. Šis elektrinis įrankis skirtas naudoti kaip šlifavimo staklės, šlifuojuvas šlifavimo popieriumi, vielinis šepetys ar pjaustymo įrankis. Perskaitykite visus saugumo įspėjimus, instrukcijas, iliustracijas bei technines sąlygas, pateikiamas kartu su šiuo elektriniu įrankiu. Dėl toliau pateiktų instrukcijų nesilaikymo gali kilti elektros smūgio, gaisro ir (arba) rimto sužeidimo pavojus.
2. Su šiuo elektriniu įrankiu nerekomenduojama atlikti tokių darbų kaip poliravimas. Darbai, kuriems šis elektrinis įrankis nėra skirtas, gali kelti pavojų bei sąlygoti susižeidimą.

3. Nenaudokite priedų, kurie nėra specialiai sukurti ir rekomenduojami įrankio gamintojo. Nors priedą ir galima pritaisyti prie jūsų elektrinio įrankio, tai vistiek neužtikrina saugios eksploatacijos.
4. Nominalusis priedo greitis turi būti bent jau lygus maksimaliam greičiui, nurodytam ant elektrinio įrankio. Priedai, kurie veikia greičiau už vardinį greitį, gali sulūžti ir atsiskirti.
5. Priedo išorinis skersmuo ir storis turi atitikti elektrinio įrankio pajėgumo kategoriją. Netinkamo dydžio priedų negalima tinkamai apsaugoti skydais ar valdyti.
6. Srieginių priedų jungiamoji dalis privalo atitikti šlifuoaklio veleno sriegį. Priedų, montuojamų naudojant junges, angos velenui dydis privalo tiksliai atitikti jungės fiksavimo skersmenį. Naudojami priedai, kurių dydis neatitinka elektrinio įrankio dalių, prie kurių jie montuojami, dydžio, išbalansuos įrankį, sukels pernelyg didelę vibraciją bei įrankio valdymo praradimą.
7. Nenaudokite sugadinto priedo. Kiekvieną kartą prieš naudodami įrankį patikrinkite jo priedus, pvz., ar šlifavimo diskai nenudažyti ir nesutrūkę, ar nėra atraminųjų padėklių įtrūkių, plyšių ar jie ne per daug nusidėvėję, ar nėra iškritusių vielinio šepetčio vielų ir ar jos nenulūžusios. Jei elektrinis įrankis ar jo priedas buvo numestas, patikrinkite, ar nėra pažeidimų, arba naudokite nepažeistą priedą. Patikrinę ir įtaisę priedą, atsistokite bei nuveskite stebintiuosius toliau nuo besisukančio priedo plokštumos ir paleiskite elektrinį įrankį veikti maksimaliu greičiu be apkrovos 1 minutę. Paprastai per šį tikrinimo laiką pažeisti priedai turėtų suskilti.
8. Naudokite asmeninės apsaugos priemones. Priklausomai nuo pritaikymo, naudokite apsauginį veido skydelį, tamsius arba apsauginius akinius. Kaip pridera, dėvėkite apsaugos nuo dulkių kaukę, klausos apsaugą, pirštines ir dirbtuvės prijuostę, sulaukiančią smulkius abrazyvus ar ruošinio skeveldras. Akių apsauga turi sulaukyti skriejančias nuolaužas, susidariusias įvairių operacijų metu. Apsaugos nuo dulkių kaukė arba respiratorius turi filtruoti darbo metu susidariusias dalelytes. Dėl intensyvaus ilgalaikio triukšmo galima prarasti klausą.
9. Laikykite stebintiuosius toliau nuo darbo vietos. Kiekvienas, užeinantis į darbo vietą, turi dėvėti asmeninę apsaugos aprangą. Ruošinio ar sulūžusio priedo skeveldros gali nuskrieti toliau ir sužeisti asmenis už tuo metu atliekamo darbo zonos.
10. Jei dirbant pjaustymo įrankis gali kliudyti paslėptus laidus, elektrinį įrankį laikykite tik už izoliuotų paviršių. Įrankiui prilietus laidą, kuriame yra įtampa, neiizoliuotose metalinėse elektrinio įrankio dalyse taip pat gali atsirasti įtampa, dėl kurios operatorius gali patirti elektros smūgį.
11. Niekada nepadėkite šio elektrinio įrankio, kol jo priedas nėra visiškai sustojęs. Greitai besisukantis priedas gali užkabinti paviršių ir jūs galite nebesuvaldyti elektrinio įrankio.
12. Nešant įrankį prie savo šono, jis turi būti išjungtas. Greitai besisukantis priedas gali atsitiktinai užkabinti jūsų drabužius ir jus sužaloti.

- Reguliariai išvalykite elektrinio įrankio oro ventiliacijos angas.** Varklio ventiliatorius traukia dulkes į korpuso vidų ir dėl per didelių metalo dulkių sankaupų gali kilti su elektros įranga susijęs pavojus.
- Nenaudokite elektrinio įrankio būdami netoliese degių medžiagų.** Nuo kibirkščių degiosios medžiagos gali užsidegti.
- Nenaudokite priedų, kuriems reikalingi skysti ausinimo skysčiai.** Naudojant vandenį ar kitą skystį gali iširti mirtina elektros trauma ar elektros smūgis.

Atatranka ir su ja susiję įspėjimai

Atatranka yra staigi reakcija į suspaustą arba sugriebtą besisukančią diską, atraminį padėklą, šepetį ar kitą priedą. Suspaudimas arba sugnybimas sukelia staigų besisukančio priedo sulaikymą, dėl to nevaldomas elektrinis įrankis sulaikymo taške verčiamas judėti priešinga priedo sukimuisi kryptimi. Pavyzdžiui, jeigu šlifavimo diską suspaudžia ruošinys, disko kraštas, kuris patenka į suspaudimo tašką, gali įsikirsti į medžiagos paviršių ir dėl to diskas atšoks. Diskas gali atšokti į operatorių arba nuo jo; tai priklauso nuo disko sukimosi krypties suspaudimo metu. Šlifavimo diskas tokiomis sąlygomis gali ir sulūžti.

Atatranka yra piktnaudžiavimo elektriniu įrankiu ir (arba) netinkamų darbo procedūrų ar sąlygų rezultatas, jos galima išvengti vadovaujantis toliau nurodytomis atsargumo priemonėmis.

- Tvirtai laikykite elektrinį įrankį ir stovėkite taip, kad jūsų kūnas bei ranka netrukdytų priešintis atatrankos jėgoms.** Visada naudokite papildomą rankeną, jei tokia yra, kad įjungimo metu galėtumėte maksimaliai valdyti atatranką ar sukamojo momento reakcijas. Operatorius gali valdyti sukamojo momento reakciją bei atatrankos jėgą, jei imasi atitinkamų atsargumo priemonių.
- Niekada nelaikykite rankos šalia besisukančio priedo.** Priedas gali atsitrengti į jūsų ranką.
- Nebūkite toje zonoje, kurios link judės elektrinis įrankis, jei įvyks atatranka.** Atatranka pastums įrankį priešinga disko sukimuisi kryptimi suspaudimo taške.
- Ypač saugokitės apdirbdami kampus, aštirus kraštus ir pan. Stenkitės priedo nesutrenkti ir neužkliudyti.** Besisukantis priedas gali užsikabinti ar atsitrengti į kampus, aštirus kraštus ir sukelti atatranką, o dėl to galima nebesuvaldyti įrankio.
- Nenaudokite pjūklo grandinės su medį raižančiais ašmenimis ar dantytos pjūklo grandinės.** Tokie diskai dažnai sukelia atatranką ir įrankio suvaldymo problemų.

Specialūs saugos įspėjimai atliekant šlifavimo ir abrazyvinio pjaustymo darbus:

- Naudokite tik tuos diskus, kurie rekomenduojami naudoti su elektriniu įrankiu, ir specialią tam diskui skirtą apsaugą.** Diskai, kurie netinka elektriniam įrankiui, negali būti tinkamai apsaugoti ir yra nesaugūs.
- Sumontuotų diskų su įspausu centru šlifavimo paviršius privalo būti žemiau apsauginio gaubto krašto plokštumos.** Netinkamai sumontuoto disko, kuris kyšo per apsauginio gaubto krašto plokštumą, nebus galima tinkamai apsaugoti.

- Apsauga turi būti tinkamai pritvirtinta prie elektrinio įrankio, o siekiant apsaugoti kuo labiau, uždėta taip, kad kuo mažesnis disko dalis galėtų paveikti operatorių.** Apsauginis gaubtas padeda apsaugoti operatorių nuo atskilusių disko dalių ir netyčinio prisilietimo prie disko bei žiežirbų, kurios gali uždegti prabužius.
- Diskai turi būti naudojami tik pagal rekomenduojamą paskirtį.** Pavyzdžiui, nešlifukokite pjovimo disko šonu. Šlifuojantys pjovimo diskai yra skirti periferiniam šlifavimui, todėl diskus veikiančios šoninės jėgos juos gali suskaldyti.
- Visada naudokite tik nesugadintas diskų junges, kurios pasirinktam diskui yra tinkamo dydžio bei formos.** Tinkamos diskų jungės prilaiko diską, mažindamos disko trūkimo tikimybę. Pjovimo diskams skirtos jungės gali skirtis nuo šlifavimo diskų jungių.
- Nenaudokite nusidėvėjusių diskų nuo didesnių elektrinių įrankių.** Didiesiems elektriniams įrankiams skirti diskai netinka greičiau besisukančiam mažesniai įrankiui, jie gali sutrukinėti į tūkstančius dalių.

Papildomi specialūs saugos įspėjimai atliekant abrazyvinio pjaustymo darbus:

- Saugokite, kad pjovimo diskas neįstrigtų, ir pernelyg nespaukite.** Nemėginkite atlikti pernelyg gilių pjūvių. Per stipriai spaudžiant, padidėja apkrova ir disko persikreipimo ar užstrigimo pjūvyje tikimybė bei atatrankos ar disko lūžimo galimybė.
- Nestovėkite vienoje eilėje su besisukančiu disku ir už jo.** Kai diskas veiksimo metu juda nuo jūsų kūno, galima atatranka gali pastumti besisukančią diską ir elektrinį įrankį tiesiai į jus.
- Kai diskas užstrigo arba kai pjovimas dėl kitų priežasčių nutraukiamas, išjunkite elektrinį įrankį ir nejudinkite jo, kol diskas visiškai nenustos sukis.** Niekada nebandykite išimti pjovimo disko iš pjūvio, kai diskas sukasi, nes gali susidaryti atatranka. Išstirkite ir imkitės tinkamų veiksmų, kad pašalintumėte disko užstrigimo priežastį.
- Nepradėkite iš naujo pjauti, kai diskas ruošinyje.** Leiskite, kad diskas pasiektų visą greitį ir tik tada atsargiai įleiskite jį į pjūvį. Diskas gali įstrigti, iššokti arba atšokti, jeigu elektrinis įrankis bus iš naujo paleistas diskui esant ruošinyje.
- Plokštes ar kitus per didelio dydžio ruošinius paremkite ir taip sumažinkite pavojų, kad diskas bus suspaustas ir atšoks.** Dideli ruošiniai linksta dėl savo pačių svorio. Ruošinį reikia paremti iš abiejų disko pusių, šalia pjovimo linijos ir prie ruošinio krašto.
- Ypač būkite atsargūs įpjaudami sienas arba kitas aklines vietas.** Atsikėšęs diskas gali prajauti dujų ar vandens vamzdžius, elektros laidus arba objektus, kurie gali sukelti atatranką.

Specialūs saugos įspėjimai atliekant šlifavimo darbus šlifavimo popieriumi:

- Nenaudokite itin didelio dydžio šlifavimo disko popieriaus.** Laikykites gamintojo rekomendacijų, kai renkatės šlifavimo popierių. Didėnis šlifavimo popierius, kuris išsikiša už šlifavimo padėklo ribų, gali sukelti įplėšimo pavojų, dėl to gali lūžti diskas arba įvykti atatranka.

Specialūs saugos įspėjimai dirbant su vieliniu šepėčiu:

1. **Atkreipkite dėmesį, kad vieliniai šereliai krinta iš šepėčio netgi įprasto naudojimo metu. Nespauskite per daug šerelių, naudodami didelę jėgą šepėčiu.** Vieliniai šereliai gali lengvai pradurti ploną drabužį ir (arba) odą.
2. **Jeigu rekomenduojama naudoti vielinio šepėčio apsaugą, neleiskite, kad vielinis diskas ar šepetys būtų naudojami be apsaugos.** Vielinio disko ar šepėčio skersmuo dėl darbinio krūvio ir išcentrinų jėgų poveikio gali padidėti.

Papildomi saugos įspėjimai:

1. **Naudodami nuspaustus centrinius šlifavimo diskus, būtina naudokite tik stiklo pluoštu sustiprintus diskus.**
2. **Su šiuo šlifuoekliu NIEKADA NENAUDOKITE taurelės formos akmeninio šlifavimo disko.** Šis šlifuoeklis nėra skirtas naudoti su šio tipo diskais, todėl naudojant tokį gaminį galima sunkiai susižeisti.
3. **Nepažeiskite veleno, jungės (ypač montavimo paviršiaus) ir fiksavimo galvutės.** Dėl šių dalių pažeidimų gali lūžti diskas.
4. **Prieš įjungdami jungiklį patikrinkite, ar diskas nesiliečia su ruošiniu.**
5. **Prieš naudodami įrankį su ruošiniu, leiskite jam kurį laiką veikti be apkrovos.** Stebėkite, ar nėra vibracijos ar klibėjimo, rodančio, jog blogai surinkta ar kad blogai subalansuotas diskas.
6. **Šlifavimui naudokite nurodyto paviršiaus diską.**
7. **Nepalikite veikiančio įrankio. Naudokite įrankį tik laikydami rankomis.**
8. **Nelieskite ruošinio iškart po naudojimo; jis gali būti itin karštas ir nudeginti odą.**
9. **Nelieskite priedų iš karto po naudojimo; jie gali būti itin karšti ir nudeginti odą.**
10. **Laikykites gamintojo nurodymų apie teisingą diskų uždėjimą ir naudojimą. Su diskais elkitės ir juos laikykite rūpestingai.**
11. **Nenaudokite atskirų mažinimo įvorių arba adapterių, skirtų didelių skylių šlifuojamiesiems diskams uždėti.**
12. **Naudokite tik šiam įrankiui nurodytas junges.**
13. **Jeį naudojate įrankius, kuriems skirti diskai su sriegiu, įsitinkinkite, ar sriegis diske yra pakankamai ilgas, kad tiktų veleno ilgis.**
14. **Patikrinkite, ar ruošinys yra tinkamai palaikomas.**
15. **Atkreipkite dėmesį, kad išjungus įrankį diskas toliau sukasi.**
16. **Jeį darbo vieta yra ypač karšta ir drėgna arba labai užteršta laidžiomis dulkmėmis, naudokite užtrumpinimo pertraukiklį (30 mA), kad užtikrintumėte naudojimo saugumą.**
17. **Nenaudokite įrankio su bet kokiomis medžiagomis, kuriose yra asbesto.**
18. **Kai naudojate pjovimo diską, visuomet dirbkite su dulkes renkančia disko apsauga, kurios reikalauja vietinės taisyklės.**
19. **Pjovimo diskų negalima spausti iš šonų.**

20. **Nenaudokite medžiaginių pirštinių darbo metu.** Medžiaginių pirštinių audinio pluoštų gali patekti į įrankį, todėl įrankis gali sugesti.
21. **Įsitinkinkite, kad nėra jokių elektros laidų, vandentiekio vamzdžių, dujų vamzdžių ir pan., kuriuos pažeidus įrankiu gali kilti pavojus.**

SAUGOKITE ŠIAS INSTRUKCIJAS.

ĮSPĖJIMAS: NELEISKITE, kad patogumas ir gaminio pažinimas (įgyjamas pakartotinai naudojant) susilpnintų griežtą saugos taisyklių, taikytinų šiam gaminiui, laikymąsi. Dėl **NETINKAMO NAUDOJIMO** arba saugos taisyklių, kurios pateiktos šioje instrukcijoje, nesilaikymo galima rimtai susižeisti.

Svarbios saugos instrukcijos, taikomos akumulatoriaus kasetei

1. **Prieš naudodami akumulatoriaus kasetę, perskaitykite visas instrukcijas ir perspėjimus ant (1) akumulatorių įkroviklio, (2) akumulatorių ir (3) akumulatorių naudojančio gaminio.**
 2. **Neardykite ir negadinkite akumulatoriaus kasetės.** Dėl to ji gali užsidegti, per daug įkaisti arba sprogti.
 3. **Jeį įrankio darbo laikas žymiai sutrumpėjo, nedelsdami nutraukite darbą su įrankiu.** Tai gali kelti perkaitimo, nudegimų ar net sprogio pavojų.
 4. **Jeį elektrolitas pateko į akis, plaukite jas tyru vandeniu ir nedelsdami kreipkitės į gydytoją.** Gali kilti regėjimo praradimo pavojus.
 5. **Neužtrumpinkite akumulatoriaus kasetės:**
 - (1) Nelieskite kontaktų degiomis medžiagomis.
 - (2) Venkite laikyti akumulatoriaus kasetę kartu su kitais metaliniais daiktai, pavyzdžiui, vinimis, monetomis ir pan.
 - (3) Saugokite akumulatoriaus kasetę nuo vandens ir lietaus.
- Trumposis jungimas akumulatoriuje gali sukelti stiprią srovę, perkaitimą, galimus nudegimus ar net akumulatoriaus gedimą.
6. **Nelaikykite ir nenaudokite įrankio ir akumulatoriaus kasetės vietose, kur temperatūra gali pasiekti ar viršyti 50 °C (122 °F).**
 7. **Nedeginkite akumulatoriaus kasetės, net jeį yra stipriai pažeista ar visiškai susidėvėjusi.** Ugnyje akumulatoriaus kasetė gali sprogti.
 8. **Akumulatoriaus kasetės nekalkite, nepjaustykite ir nemėtykite ir taip pat į ją netrankykite kietu daiktu.** Taip elgiantis, ji gali užsidegti, per daug įkaisti arba sprogti.
 9. **Nenaudokite pažeisto akumulatoriaus.**
 10. **Įdėtoms ličio jonų akumulatoriams taikomi Pavojingų prekių teisės akto reikalavimai.** Komeracinis transportas, pvz., trečiųjų šalių, prekių vežimo atstovų, turi laikytis specialaus reikalavimo ant pakuočių ir ženklavimo. Norėdami paruošti siūstiną prekę, pasitarkite su pavojingų medžiagų specialistu. Be to, laikykites galimai išsamesnių nacionalinių reglamentų. Užklijuokite juosta arba padenkite atvirus kontaktus ir supakuokite akumulatorių taip, kad ji pakuotėje nejudėtų.

- Kai išmetate akumulatoriaus kasetę, išimkite ją iš įrankio ir išmeskite saugioje vietoje. Vadovaukitės vietos reglamentais dėl akumuliatorių išmetimo.
- Baterijas naudokite tik su „Makita“ nurodytais gaminiais. Baterijas įdėjus į netinkamus gaminius gali kilti gaisras, gaminys pernelyg kaisti, kilti sprogimas arba pratekėti elektrolitas.
- Jei įrankis bus ilgą laiką nenaudojamas, akumuliatorių būtina išimti iš įrankio.
- Darbo metu ir po akumulatoriaus kasetės gali būti įkaitusi ir dėl to nudeginti. Imdami akumulatoriaus kasetes, būkite atsargūs.
- Tuoju pat po naudojimo nelieskite įrankio gnybtų, nes jie gali būti įkaitę tiek, kad nudegins.
- Neleiskite, kad į akumulatoriaus kasetės gnybtus, angas ir griovelius patektų drožlių, dulkių ar žemių. Dėl to įrankis ar akumulatoriaus kasetė gali imti prastai veikti ar sugesti.
- Jeigu įrankis nėra pritaikytas naudoti šalia aukštos įtampos elektros linijų, akumulatoriaus kasetės nenaudokite šalia aukštos įtampos elektros linijų. Dėl to gali sutrikti įrankio ar akumulatoriaus kasetės veikimas arba jie gali sugesti.
- Laikykite akumuliatorių vaikams nepasiekiamoje vietoje.

SAUGOKITE ŠIAS INSTRUKCIJAS.

▲PERSPĖJIMAS: Naudokite tik originalų „Makita“ akumuliatorių. Neoriginalaus „Makita“ arba pakeisto akumulatoriaus naudojimas gali nulemti gaisrą, asmens sužalojimą ir pažeidimą. Tai taip pat panaikina „Makita“ suteikiamą „Makita“ įrankio ir įkroviklio garantiją.

Patarimai, ką daryti, kad akumulatorius veiktų kuo ilgiau

- Pakraukite akumulatoriaus kasetę prieš ją visiškai išsikraunant. Visuomet nustokite naudoti įrankį ir pakraukite akumulatoriaus kasetę, kai pastebite, kad įrankio galia sumažėjo.
- Niekada nekraukite iki galo įkrautos akumulatoriaus kasetės. Perkraunant trumpėja akumulatoriaus eksploatacijos laikas.
- Akumulatoriaus kasetę kraukite esant kambario temperatūrai 10 - 40 °C. Prieš pradėdami krauti, leiskite įkaitusiai akumulatoriaus kasetei atvėsti.
- Kai akumulatoriaus kasetės nenaudojate, ją išimkite iš įrankio ar įkroviklio.
- Įkraukite akumulatoriaus kasetę, jei jos nenaudojate ilgą laiką (ilgiau nei šešis mėnesius).

VEIKIMO APRAŠYMAS

▲PERSPĖJIMAS: Prieš pradėdami reguliuoti arba tikrinti įrankio veikimą, visuomet būtinai išjunkite įrankį ir išimkite akumulatoriaus kasetę.

Akumulatoriaus kasetės uždėjimas ir nuėmimas

▲PERSPĖJIMAS: Prieš įdėdami arba išimdami akumulatoriaus kasetę, visada išjunkite įrankį.

▲PERSPĖJIMAS: Įdėdami arba išimdami akumulatoriaus kasetę, tvirtai laikykite įrankį ir akumulatoriaus kasetę. Jeigu įrankį ir akumulatoriaus kasetę laikysite netvirtai, jie gali išsllysti iš jūsų rankų, todėl įrankis ir akumulatoriaus kasetė gali būti sugadinti, o naudotojas sužalotas.

- **Pav.1:** 1. Raudonas sandariklis (indikatorius)
2. Mygtukas 3. Akumulatoriaus kasetė

Jei norite išimti akumulatoriaus kasetę, ištraukite ją iš įrankio, stumdami mygtuką, esantį kasetės priekyje.

Jei norite įdėti akumulatoriaus kasetę, sulygiuokite liežuvelį ant akumulatoriaus kasetės su grioveliu korpuse ir įstumkite į jai skirtą vietą. Įdėkite iki galo, kol spragtelėdama užsifiksuos. Jeigu matote raudoną sandariklį (indikatorių) viršutinėje mygtuko pusėje, ji nėra visiškai užfiksuota.

▲PERSPĖJIMAS: Akumulatoriaus kasetę visada įkiškite iki galo, kol nebematysite raudono sandariklio (indikatoriaus) Priešingu atveju ji gali atsitiktinai iškristi iš įrankio ir sužeisti jus arba aplinkinius.

▲PERSPĖJIMAS: Nekiškite akumulatoriaus kasetės jėga. Jeigu kasetė sunkiai lenda, ją kišate netinkamai.

Likusios akumulatoriaus galios rodymas

Paspauskite akumulatoriaus kasetės tikrinimo mygtuką, kad būtų rodoma likusi akumulatoriaus energija. Maždaug trims sekundėms užsidsigs indikatorių lemputės.

- **Pav.2:** 1. Indikatorių lemputės 2. Tikrinimo mygtukas

Indikatorių lemputės			Likusi galia
Šviečia	Nešviečia	Blyksi	
■	□	▣	75 - 100 %
■ ■ ■ ■	□		50 - 75 %
■ ■ □ □	□		25 - 50 %
■ □ □ □	□		0 - 25 %
▣ □ □ □	□		Įkraukite akumuliatorių.
■ ■ □ □	□		Galimai įvyko akumulatoriaus veikimo triktis.
□ □ ■ ■		↑ ↓	

PASTABA: Rodmuo gali šiek tiek skirtis nuo faktinės energijos lygio – tai priklauso nuo naudojimo sąlygų ir aplinkos temperatūros.

PASTABA: Veikiant akumulatoriaus apsaugos sistemai ims mirksėti pirmoji (toliausiai kairėje) indikatoriaus lemputė.

Įrankio / akumulatoriaus apsaugos sistema

Įrankyje įrengta įrankio / akumulatoriaus apsaugos sistema. Ši sistema automatiškai atjungia variklio maitinimą, kad įrankis ir akumulatorius ilgiau veiktų. Įrankis automatiškai išsijungs darbo metu esant vienai iš toliau nurodytų įrankio arba akumulatoriaus darbo sąlygų:

Apsauga nuo perkrovos

Kai įrankis / akumulatorius naudojamas taip, kad neįprastai padidėja elektros srovė, įrankis automatiškai išsijungia nepateikiant jokių indikatorių įspėjimų. Tokiu atveju išjunkite įrankį ir nutraukite darbą, dėl kurio kilo įrankio perkrova. Tada vėl įjunkite įrankį.

Apsauga nuo perkaitimo

Kai įrankis / akumulatorius perkaista, įrankis automatiškai išsijungia. Prieš vėl įjungdami įrankį, leiskite jam atvėsti.

Apsauga nuo visiško išsekimo

Kai akumulatoriaus įkrovos lygis nepakankamas, įrankis automatiškai išsijungia. Tokiu atveju ištraukite akumulatorių iš įrankio ir įkraukite jį.

Apsauginio stabdiklio išjungimas

Pakartotinai suveikus apsaugos sistemai, įrankis yra užblokuotas.

Tokiu atveju įrankis neįsijungia net ir pabandžius jį išjungti ir vėl įjungti. Norėdami išjungti apsauginį stabdiklį, išimkite akumulatorių, įdėkite jį į akumulatoriaus įkroviklį ir palaukite, kol jis bus įkrautas.

Ašies fiksatorius

Paspauskite ašies fiksatorių, kad velenas nesisuktų, kai dedate ar nuimate priedus.

► **Pav.3:** 1. Ašies fiksatorius

PASTABA: Niekada neįjunkite ašies fiksatoriaus, kai velenas juda. Įrankis galis sugesti.

Jungiklio veikimas

▲ PERSPĖJIMAS: Prieš įdėdami keičiamąjį akumulatorių į įrankį, visada patikrinkite, ar slankusis jungiklis tinkamai veikia ir grįžta į padėtį OFF (išjungta), nuspaudus slankiojo jungiklio galą.

▲ PERSPĖJIMAS: Kai įrankis naudojamas ilgą laiko tarpą, operatoriaus patogumui jungiklį galima užfiksuoti „ON“ (įjungta) padėtyje. Būkite atsargūs, užfiksuodami įrankį „ON“ (įjungta) padėtyje ir tvirtai laikykite įrankio rankeną.

Norėdami įjungti įrankį, spauskite galinę jungiklio dalį, po to pastumkite ją „I“ (įjungimo) padėties link. Jei norite dirbti be pertraukų, paspauskite žemyn stumdomo jungiklio priekinę dalį, kad užfiksuotumėte.

► **Pav.4:** 1. Stumdomas jungiklis

Norėdami išjungti įrankį, spauskite žemyn galinę jungiklio dalį, kad ji sugrįžtų į „O“ (išjungimo) padėtį.

► **Pav.5:** 1. Stumdomas jungiklis

Apsaugos nuo netyčinio įjungimo funkcija

Jeigu akumulatoriaus kasetę į įrankį įdėsite stumdomajam jungikliui esant padėtyje I (ON) (įjungta), įrankis neįsijungs.

Norėdami įjungti įrankį, pastumkite slankųjį mygtuką į padėtį O (OFF) (išjungta), tada gražinkite jį į padėtį I (ON) (įjungta).

Elektroninės sukimo momento kontrolės funkcija

Įrankio elektroniniai įtaisai aptinka situacijas, kuriose diskas arba priedas gali užstrigti. Tokiose situacijose įrankis automatiškai išsijungia, kad velenas nebūtų toliau sukamas (ši funkcija neapsaugo nuo atatrakos). Norėdami iš naujo įjungti įrankį, pirmiausia išjunkite jį, pašalinkite staigaus užstrigimo priežastį, tada vėl įjunkite įrankį.

Tolygaus įjungimo funkcija

Tolygus įjungimas slopina įjungimo reakciją.

SURINKIMAS

▲ PERSPĖJIMAS: Prieš pradėdami reguliuoti arba tikrinti įrankio veikimą, visuomet būtina išjunkite įrankį ir išimkite akumulatoriaus kasetę.

Šoninės rankenos montavimas

▲ PERSPĖJIMAS: Prieš naudodami visuomet įsitikinkite, ar šoninė rankena yra patikimai uždėta.

Prisukite šoninę rankeną patikimai jos vietoje, kaip parodyta paveikslėlyje.

► **Pav.6**

Disko saugiklio uždėjimas ar nuėmimas

▲JSPĖJIMAS: Kai naudojate diską su įgaubtu centru, poliravimo diską, lankstųjį diską arba vielinį disko formos šepetėlį, apsauginis disko gaubtas turi būti uždėtas ant įrankio taip, kad uždaras apsauginio gaubto šonas visuomet būtų atsuktas į operatorių.

▲JSPĖJIMAS: Įsitikinkite, kad disko saugiklis yra tvirtai užfiksuotas fiksavimo svirtelė vienoje iš disko saugiklio skylių.

▲JSPĖJIMAS: Naudodami šlifuojamąjį pjovimo / deimantinį diską, būtinai naudokite tik specialų apsauginį gaubtą, skirtą naudoti su pjovimo diskais.

(Tam tikrose Europos šalyse naudojant deimantinį diską, galima naudoti įprastą apsauginį gaubtą. Vadovaukitės jūsų šalyje galiojančiomis taisyklėmis.)

Nuspaustam centriniam diskui, poliravimo diskui, lanksčiajam diskui, vieliniam disko formos šepetėliui / šlifuojamajam nupjovimo diskui, deimantiniam diskui

1. Spausdami fiksavimo svirtelę, uždėkite disko saugiklį, išsikišimus sutapindami su ant jo esančiomis įrantomis ties guolių dėže.

► **Pav.7:** 1. Fiksavimo svirtelė 2. Įranta 3. Iškyša

2. Stumdami fiksavimo svirtelę link dalies A, įspauskite disko saugiklį, laikydami dalis B, kaip parodyta paveikslėlyje.

► **Pav.8:** 1. Disko saugiklis 2. Anga

PASTABA: Spauskite disko saugiklį tiesiai žemyn. Priešingu atveju negalėsite visiškai paspausti disko saugiklio.

3. Laikydami užrakto svirtelę ir disko saugiklį nustatytus į padėtį, apibūdintą 2 veiksme, sukite disko saugiklį dalies C link, tada priklausomai nuo užduoties pakeiskite disko saugiklio kamą taip, kad operatorius būtų apsaugotas. Sulygiuokite fiksavimo svirtelę su viena iš disko saugiklio angų ir tada atlaisvinkite fiksavimo svirtelę disko saugikliui užfiksuoti.

► **Pav.9:** 1. Disko saugiklis 2. Anga

PASTABA: Iki galo paspauskite disko saugiklį. Priešingu atveju negalėsite pasukti disko saugiklio.

Jei norite išimti disko saugiklį, atlikite montavimo procedūrą atvirkščia tvarka.

Disko su įgaubtu centru arba poliravimo disko uždėjimas ir nuėmimas

Pasirenkamas priedas

▲JSPĖJIMAS: Kai naudojate diską su įgaubtu centru arba poliravimo diską, apsauginis disko gaubtas turi būti uždėtas ant įrankio taip, kad uždaras apsauginio gaubto šonas visuomet būtų atsuktas į operatorių.

▲PERSPĖJIMAS: Įsitikinkite, ar vidinės jungės tvirtinimo dalis puikiai telpa į disko su įgaubtu centru / poliravimo disko vidinį skersmenį. Sumontavus vidinę jungę netinkamoje pusėje, gali kilti pavojinga vibracija.

Uždėkite vidinę jungę ant veleno.

Vidinės jungės įranta dalis būtinai turi būti uždėta ant tiesios dalies ties veleno apačia.

Uždėkite diską su įgaubtu centru / poliravimo diską ant vidinės jungės ir užsukite ant veleno antveržlę.

► **Pav.10:** 1. Fiksavimo veržlė 2. Nuspaustas centrinis diskas 3. Vidinė jungė 4. Tvirtinimo dalis

Jei norite priveržti fiksavimo galvutę, stipriai paspauskite ašies fiksatorių taip, kad velenas negalėtų sukis, tada pasinaudokite fiksavimo galvutės raktu ir patikimai priveržkite pagal laikrodžio rodyklę.

► **Pav.11:** 1. Fiksavimo galvutės raktas 2. Ašies fiksatorius

Jei norite nuimti diską, laikykitės uždėjimo procedūros atvirkščia tvarka.

Lanksčiojo disko uždėjimas ir nuėmimas

Pasirenkamas priedas

▲JSPĖJIMAS: Visada naudokite pateiktą apsauginį gaubtą, kai ant įrankio uždėtas lankstusis diskas. Naudojimo metu diskas gali subyrėti, o apsauginis gaubtas sumažina galimybę susižeisti.

► **Pav.12:** 1. Fiksavimo veržlė 2. Lankstusis diskas 3. Atraminis pagrindas 4. Vidinė jungė

Vadovaukitės diskui su įgaubtu centru taikomais nurodymais, bet ant disko taip pat uždėkite atraminį pagrindą. Žr. uždėjimo eilės tvarką, aprašytą šio vadovo priedų puslapyje.

Šlifavimo disko uždėjimas ir nuėmimas

Pasirenkamas priedas

► **Pav.13:** 1. Šlifavimo priedo fiksuojamoji veržlė 2. Šlifavimo diskas 3. Guminis pagrindas

1. Uždėkite ant ašies guminį pagrindą.

2. Uždėkite diską ant guminio pagrindo ir užsukite antveržlę ant veleno.

3. Laikykite veleną su ašies fiksatoriumi ir fiksuojamosios veržlės veržliarakčiu pagal laikrodžio rodyklę gerai priveržkite šlifavimo priedo fiksuojamąją veržlę.

Jei norite nuimti diską, laikykitės uždėjimo procedūros atvirkščia tvarka.

PASTABA: Naudokite šiame vadove išvardintus papildomus šlifavimo priedus. Juos reikia įsigyti atskirai.

„Ezynut“ įdėjimas ir išėmimas

Pasirenkamas priedas

▲ PERSPĖJIMAS: Nenaudokite veržlės „Ezynut“ su papildoma jungė arba kampiniu šlifuko liuku, kurio modelio numerio gale yra raidė „F“. Šios jungės yra tokios storos, kad jų neįmanoma iki galo užsriegti ant veleno.

- **Pav.14:** 1. Veržlė „Ezynut“ 2. Abrazyvinis diskas 3. Vidinis kraštas 4. Velenas

Uždėkite vidinę jungę, šlifavimo diską ir veržlę „Ezynut“ ant veleno taip, kad ant „Ezynut“ esantis logotipas „Makita“ būtų nukreiptas išorėn.

- **Pav.15:** 1. Ašies fiksatorius

Tvirtai įspauskite veleno fiksatorių ir priveržkite veržlę „Ezynut“, sukdami abrazyvinį diską pagal laikrodžio rodyklę tiek, kiek jis suksis.

Norėdami atlaisvinti, sukite išorinį įtaisą „Ezynut“ žiedą prieš laikrodžio rodyklę.

- **Pav.16:** 1. Rodyklė 2. Įdubimas

- **Pav.17**

PASTABA: Jeigu tik rodyklė nukreipta įrąntos link, įtaisą „Ezynut“ galima atsukti rankomis. Kitais atvejais, norint jį atsukti, reikia veržliarakčio. Įkiškite vieną veržliarakčio smaigą į angą ir sukite įtaisą „Ezynut“ prieš laikrodžio rodyklę.

Šlifuojamojo pjovimo disko / deimantinio disko montavimas

Pasirenkamas priedas

▲ JSPĖJIMAS: Naudodami šlifuojamąjį pjovimo / deimantinį diską, būtinai naudokite tik specialų apsauginį gaubtą, skirtą naudoti su pjovimo diskais.

(Tam tikrose Europos šalyse naudojant deimantinį diską, galima naudoti įprastą apsauginį gaubtą. Vadovaukitės jūsų šalyje galiojančiomis taisyklėmis.)

▲ JSPĖJIMAS: NIEKADA nenaudokite pjovimo disko šonams šlifuoti.

- **Pav.18:** 1. Fiksavimo veržlė 2. Šlifuojamasis pjovimo diskas / deimantinis diskas 3. Vidinė jungė 4. Apsauginis gaubtas šlifuojamajam pjovimo diskui / deimantiniam diskui

Norėdami sumontuoti diską su įgaubtu centru, vykdykite jam skirtas instrukcijas.

Antveržlės ir vidinės jungės montavimo kryptis priklauso nuo disko tipo ir storio.

Žr. šiuos paveikslėlius.

Montuojant šlifuojamąjį pjovimo diską:

- **Pav.19:** 1. Fiksavimo veržlė 2. Šlifuojamasis pjovimo diskas (plonesnis nei 4 mm) 3. Šlifuojamasis pjovimo diskas (4 mm ar storesnis) 4. Vidinė jungė

Montuojant deimantinį diską:

- **Pav.20:** 1. Fiksavimo veržlė 2. Deimantinis diskas (plonesnis nei 4 mm) 3. Deimantinis diskas (4 mm ar storesnis) 4. Vidinė jungė

Vielinio šepetėlio sumontavimas

Pasirenkamas priedas

▲ PERSPĖJIMAS: Nenaudokite apgadinto arba išbalansuoto šepetėlio. Naudojant apgadintą šepetėlį, prisilietus prie aplūžusių šepetėlio vielų, galima susižeisti.

- **Pav.21:** 1. Vielinis šepetėlis

Išimkite keičiamąjį akumuliatorių iš įrankio ir padėkite įrankį apversta, kad galėtumėte lengvai pasiekti veleną. Nuimkite nuo veleno visus priedus. Užsukite ant veleno vielinį taurėlės formos šepetėlį ir priveržkite jį pateiktuju veržliarakčiu.

Vielinio disko formos šepetėlio sumontavimas

Pasirenkamas priedas

▲ PERSPĖJIMAS: Nenaudokite apgadinto arba išbalansuoto vielinio, disko formos šepetėlio. Naudojant apgadintą vielinį, disko formos šepetėlį, prisilietus prie aplūžusių šepetėlio vielų, galima susižeisti.

▲ PERSPĖJIMAS: Naudodami vielinius, disko formos šepetėlius, VISADA naudokite apsauginį gaubtą, kuriame tilptų atitinkamo skersmens diskas. Naudojimo metu diskas gali subyrėti, o apsauginis gaubtas sumažina galimybę susižeisti.

- **Pav.22:** 1. Vielinis disko formos šepetėlis

Išimkite keičiamąjį akumuliatorių iš įrankio ir padėkite įrankį apversta, kad galėtumėte lengvai pasiekti veleną. Nuimkite nuo veleno visus priedus. Užsukite vielinį disko formos šepetėlį ant veleno ir priveržkite veržliarakčiais.

NAUDOJIMAS

▲ JSPĖJIMAS: Dirbant įrankiu niekada nereikėtų naudoti jėgos. Įrankio svoris sukelia pakankamą spaudimą. Jėgos naudojimas ir per didelis spaudimas kelia disko lūžimo pavojų.

▲ JSPĖJIMAS: VISUOMET pakeiskite diską, jei įrankis iškrito šlifavimo metu.

▲ JSPĖJIMAS: NIEKADA nedaužykite šlifavimo disko į ruošinį.

▲ JSPĖJIMAS: Venkite disko atšokimų ir užkliuvimų, ypač kai apdorojate kampus, aštrius kraštus ir pan. Dėl to galima nesuvaldyti įrankio ir jis gali atšokti.

▲ JSPĖJIMAS: NIEKADA nenaudokite įrankio su medžio pjovimo ašmenimis ir kitomis pjūklų geležtėmis. Tokius ašmenis naudojant su šlifotuovu dažnai įvyksta atatranka, dėl kurios įrankis tampa nevaldomas ir gali sužeisti žmogų.

▲PERSPĖJIMAS: NIEKADA nejunkite įrankio, kai jis liečiasi su ruošiniu, kadangi galite susižeisti.

▲PERSPĖJIMAS: Dirbdami visuomet dėvėkite apsauginius akinius arba veido skydelį.

▲PERSPĖJIMAS: Panaudoję įrankį visuomet jį išjunkite ir prieš padėdami įrankį palaukite, kol diskas visiškai sustos.

▲PERSPĖJIMAS: VISUOMET laikykite įrankį tvirtai, vieną ranką uždėję ant korpuso, o kitą – ant šoninės rankenos.

Šlifavimas ir šlifavimas švitriniu popieriumi

► Pav.23

Įjunkite įrankį ir tada disku apdirbkite ruošinį. Laikykite disko kraštą pakreiptą apie 15° laipsnių kampą į ruošinio paviršų.

Naujo disko apšilimo laikotarpiu nedirbkite šlifuoekliu pakreipimo į priekį kryptimi, kadangi jis gali įpjauti ruošinį. Kai disko kraštas naudojant suapvalėja, disku galima dirbti kryptimis į priekį ir atgal.

Šlifuojamojo pjovimo disko / deimantinio disko naudojimas

Pasirenkamas priedas

▲JSPĖJIMAS: Nespauskite disko ir nenaudokite pernelyg didelio slėgio. Nemėginkite atlikti pernelyg gilių pjūvių. Pernelyg spaudžiant diską, padidėja apkrova ir tikimybė, kad diskas persikreips arba įstrigs pjūvyje; taip pat atsiranda atatrakos, disko lūžimo ir variklio perkaitimo galimybė.

▲JSPĖJIMAS: Nepradėkite pjauti atrėmę diską į ruošinį. Palaukite, kol diskas ims sukintis visu greičiu, ir atsargiai nuleiskite jį į pjūvį, stumdami įrankį pirmyn ruošinio paviršiumi. Jeigu elektrinį įrankį paleisite ruošinyje, diskas gali įstrigti, pasislinkti arba atšokti.

▲JSPĖJIMAS: Pjudami niekada nekeiskite disko kampo. Spaudžiant pjovimo diską iš šono (pvz., šlifuojant), diskas gali įtrūkti ar sulūžti, sukeldamas pavojų susižeisti.

▲JSPĖJIMAS: Deimantinį diską reikia naudoti tik nukreipus jį statmenai pjaujamai medžiagai.

Naudojimo pavyzdys: darbas šlifuojamuoju nupjovimo disku

► Pav.24

Naudojimo pavyzdys: darbas deimantiniu disku

► Pav.25

Vielinio, taurelės formos šepetėlio naudojimas

Pasirenkamas priedas

▲PERSPĖJIMAS: Patikrinkite, kaip veikia šepetėlis, paleidę įrankį veikti be apkrovų ir įsitikinę, kad niekas nestovi priešais arba vienoje linijoje su šepetėliu.

PASTABA: Nespauskite pernelyg stipriai, kadangi naudojant vielinį šepetėlį gali sulinkti šereliai. Šepetėlis gali sulūžti pirma laiko.

Naudojimo pavyzdys: vielinio šepetėlio naudojimas

► Pav.26

Vielinio, disko formos šepetėlio naudojimas

Pasirenkamas priedas

▲PERSPĖJIMAS: Patikrinkite, kaip veikia vielinis, disko formos šepetėlis, paleidę įrankį veikti be apkrovų ir įsitikinę, kad niekas nestovi priešais arba vienoje linijoje su vieliniu, disko formos šepetėliu.

PASTABA: Nespauskite pernelyg stipriai, kadangi naudojant vielinį disko formos šepetėlį gali sulinkti šereliai. Šepetėlis gali sulūžti pirma laiko.

Naudojimo pavyzdys: darbas vieliniu disko formos šepetėliu

► Pav.27

TECHNINĖ PRIEŽIŪRA

▲PERSPĖJIMAS: Visuomet įsitikinkite, ar įrankis yra išjungtas ir akumulatoriaus kasetė yra nuimta prieš atlikdami apžiūrą ir priežiūrą.

PASTABA: Niekada nenaudokite gazolino, benzino, tirpiklio, spirito arba panašių medžiagų. Gali atsirasti išblukimų, deformacijų arba įtrūkimų.

Kad gaminyt būtų SAUGUS ir PATIKIMAS, jį taisyti, apžiūrėti ar vykdyti bet kokią kitą priežiūrą ar derinimą turi įgaliotasis kompanijos „Makita“ techninės priežiūros centras; reikia naudoti tik kompanijos „Makita“ pagamintas atsargines dalis.

Oro ventiliacijos angų valymas

Priziūrėkite, kad įrankis ir jo oro angos būtų švarios. Reguliariai išvalykite įrankio oro angas arba tada, kai jos užsikemša.

► Pav.28: 1. Oro išleidimo anga 2. Oro įleidimo anga

Nuimkite gaubtelį nuo dulkių nuo oro įėjimo angos ir nuvalykite jį, kad oras galėtų laisvai cirkuluoti.

► Pav.29: 1. Gaubtelis nuo dulkių

PASTABA: Nuvalykite gaubtelį nuo dulkių, kai jis užsikemša dėl dulkių arba pašalinių medžiagų. Toliau naudojant įrankį, kai gaubtelis nuo dulkių užsikimšęs, įrankis gali sugesti.

PASIRENKAMI PRIEDAI

⚠ PERSPĖJIMAS: Šiuos papildomus priedus arba įtaisus rekomenduojama naudoti su šioje instrukcijoje nurodytu „Makita“ bendrovės įrankiu. Naudojant bet kokius kitus papildomus priedus arba įtaisus, gali kilti pavojus sužeisti žmones. Naudokite tik nurodytam tikslui skirtus papildomus priedus arba įtaisus.

Jeigu norite daugiau sužinoti apie tuos priedus, kreipkitės į artimiausią „Makita“ techninės priežiūros centrą.

- Originalus „Makita“ akumulatorius ir įkroviklis

► Pav.30

	150 mm (6") modelis
–	
1	Rankena 36
2	Disko saugiklis (šlifavimo diskui)
3	Vidinė jungė
4	Diskas su įgaubtu centru / poliravimo diskas
5	Fiksavimo veržlė
6	Atraminis pagrindas
7	Lankstusis diskas
8	Guminis padas 125
9	Šlifavimo diskas
10	Šlifavimo priedo fiksuojamoji veržlė
11	Vielinis disko formos šepetėlis
12	Vielinis šepetėlis
13	Disko saugiklis (nupjovimo diskui) *1
14	Šlifuojamasis pjovimo diskas / deimantinis diskas
–	Fiksavimo galvutės raktas

PASTABA: *1 Kai kuriose Europos šalyse, naudojant deimantinį diską, vietoj specialiosios apsaugos, dengiančios abi disko puses, galima naudoti įprastą apsaugą. Vadovaukitės jūsų šalyje galiojančiomis taisyklėmis.

PASTABA: Kai kurie sąrašė esantys priedai gali būti pateikti įrankio pakuotėje kaip standartiniai priedai. Jie įvairiose šalyse gali skirtis.

TEHNILISED ANDMED

Mudel:	GA035G	
Ketta läbimõõt	150 mm (6")	
Max ketta paksus	6,4 mm	
Võlli keere	M14 või 5/8" (riigispetsiifiline)	
Nimikiirus (n)	8 500 min ⁻¹	
Üldpikkus	BL4025-ga	398 mm
	BL4040-ga	410 mm
Netokaal	3,0 – 3,7 kg	
Nimipinge	Alalisvool 36 V – 40 V max	

- Meie pideva uuringu- ja arendusprogrammi tõttu võidakse tehnilisi andmeid muuta ilma sellest ette teatamata.
- Tehnilised andmed võivad riigiti erineda.
- Kaal võib erineda olenevalt lisaseadistest, kaasa arvatud akukassetist. Kergeim ja raskeim kombinatsioon EPTA-protseduuri 01/2014 kohaselt on toodud tabelis.

Sobiv akukassett ja laadija

Akukassett	BL4025 / BL4040
Laadija	DC40RA

- Mõned eespool loetletud akukassetid ja -laadijad ei pruugi olla teie riigis saadaval.

⚠HOIATUS: Kasutage ainult ülalpool loetletud akukassette ja laadureid. Muude akukassetide ja laadurite kasutamine võib tekitada vigastusi ja/või tulekahju.

Kavandatud kasutus

Tööriist on ette nähtud metallide ja kivimaterjali veeta käimiseks, lihvimiseks, traatharjamiseks ja lõikamiseks.

Müra

Tüüpiline A-korrigeeritud müratase, määratud standardi EN60745-2-3 kohaselt:

Helirõhutase (L_{pA}): 82 dB (A)

Helivõimsuse tase (L_{WA}): 93 dB (A)

Määramatus (K): 3 dB (A)

MÄRKUS: Deklareeritud müra väärtust (väärtuseid) on mõõdetud kooskõlas standardse katsemeetodiga ning seda võib kasutada ühe seadme võrdlemiseks teisega.

MÄRKUS: Deklareeritud müra väärtust (väärtuseid) võib kasutada ka mürataseme esmaseks hindamiseks.

⚠HOIATUS: Kasutage kõrvakaitsmeid.

⚠HOIATUS: Müratase võib elektritööriista tege-
likkuses kasutamise ajal erineda deklareeritud
väärtus(t)est olenevalt tööriista kasutusviisidest
ja eriti töödeldavast toorikust.

⚠HOIATUS: Rakendage operatori kaitsmi-
seks kindlasti piisavaid ohutusabinõusid, mis
põhinevad hinnangulisel müratasemel tegelikus
töösituatsioonis (võttes arvesse tööperioodi kõiki
osasid, näiteks korrad, kui seade lülitatakse välja
ja seade töötab tühikäigul, lisaks tööajale).

Vibratsioon

Vibratsiooni koguväärtus (kolmeteljeliste vektorite summa) määratud standardi EN60745-2-3 kohaselt:

Töörežiim: pinna lihvimine tavalise külgakäepideme kasutamise

Vibratsioonitase ($a_{h,AG}$): 7,0 m/s²

Määramatus (K): 1,5 m/s²

Töörežiim: pinna lihvimine vibratsioonikindla külgakäepi-
deme kasutamise

Vibratsioonitase ($a_{h,AG}$): 9,5 m/s²

Määramatus (K): 1,5 m/s²

Töörežiim: ketaslihvimine tavalise külgakäepideme kasutamise

Vibratsioonitase ($a_{h,DS}$): 4,5 m/s²

Määramatus (K): 1,5 m/s²

Töörežiim: ketaslihvimine vibratsioonikindla külgakäepi-
deme kasutamise

Vibratsioonitase ($a_{h,DS}$): 4,0 m/s²

Määramatus (K): 1,5 m/s²

MÄRKUS: Deklareeritud vibratsiooni koguväärtust (-väärtuseid) on mõõdetud kooskõlas standardse katsemeetodiga ning seda võib kasutada ühe seadme võrdlemiseks teisega.

MÄRKUS: Deklareeritud vibratsiooni koguväärtust (-väärtuseid) võib kasutada ka mürataseme esma-
seks hindamiseks.

⚠️HOIATUS: Vibratsioonitase võib elektritööriista tegelikkuses kasutamise ajal erineda deklareeritud väärtus(t)est olenevalt tööriista kasutusviisidest ja eriti töödeldavast toorikust.

⚠️HOIATUS: Rakendage operaatori kaitsmiseks kindlasti piisavaid ohutusabinõusid, mis põhinevad hinnangulisel müratasemel tegelikus töösihtuolukorras (võttes arvesse tööperioodi kõiki osasid, näiteks korrad, kui seade lülitatakse välja ja seade töötab tühikäigul, lisaks tööajale).

⚠️HOIATUS: Deklareeritud vibratsiooniheite väärtust kasutatakse elektritööriista peamisest otstarbest lähtudes. Kui tööriista kasutatakse muul otstarbel, võib vibratsiooniheite väärtus olla erinev.

EÜ vastavusdeklaratsioon

Ainult Euroopa riikide puhul

EÜ vastavusdeklaratsioon sisaldub käesoleva juhendi Lisas A.

OHUTUSHOIATUSED

Üldised elektritööriistade ohutushoiatused

⚠️HOIATUS: Lugege läbi kõik selle elektritööriistaga kaasas olevad ohutushoiatused, juhised, joonised ja tehnilised andmed. Järgnevate juhiste eiramine võib põhjustada elektrilöögi, süttimise ja/või raske kehavigastuse.

Hoidke edaspidisteks viide- teks alles kõik hoiatused ja juhtnõid.

Hoiatuses kasutatud termini „elektritööriist“ all peetakse silmas elektriga töötavaid (juhtmeta) elektritööriistu või akuga töötavaid (juhtmeta) elektritööriistu.

Juhtmeta lihvmasina ohutunõuded

Turvahoiatused. Tavalised turvahoiatused lihvimiseks, poleerimiseks, terasharjamiseks või abrasiivseteks löikeoperatsioonideks:

1. **See elektritööriist on mõeldud lihvimisseadme, poleerimisseadme, terasharja või lõiketööriistana kasutamiseks. Lugege kõiki elektritööriistaga kaasolevaid ohutus- ja kasutusjuhendeid ning tutvuge illustatsioonide ja tehniliste andmetega. Kõigi juhendite täpne järgimine ennetab elektrilöögi-, tulekahju ja/või vigastusohu.**
2. **Selle elektritööriistaga ei soovitata poleerida.** Toimingud, milleks elektritööriist pole ette nähtud, võivad tekitada ohtliku olukorra ja põhjustada kehavigastusi.
3. **Ärge kasutage tarvikuid, mida tootja ei ole selle tööriista jaoks spetsiaalselt välja töötanud.** Tarviku elektritööriistale kinnitamise võimalus ei taga veel selle ohutut tööd.

4. **Tarviku nimikiirus peab olema vähemalt võrdne elektritööriistale märgitud maksimaalse kiirusega.** Tarvikud, mis töötavad nimikiirusest suuremal kiirusel, võivad katki minna ja laiali lennata.
5. **Tarviku välisdiameeter ja paksus peavad jääma Teie elektritööriista puhul ettenähtud parameetrite nimiaandmete vahemikku.** Valedel mõõtudega tarvikud ei ole tööriistas nõuetekohaselt kaitsitud ega kontrolli all.
6. **Tarvikute keermeskinnitus peab vastama lihvmasina vööli keermee suurusele. Äärikutega kinnitatavate tarvikute korral peab tarviku vööliava sobima ääriku fikseeriva läbimõõduga.** Tarvikud, mis ei sobitu elektritööriista paigaldusseadmisega, kaotavad tasakaalu, hakkavad vibreerima ja võivad kaotada juhitavuse.
7. **Ärge kasutage vigast lisatarvikuid. Enne iga kasutust kontrollige, et lihvketastel ei oleks laaste ega mörasid, et tugiketastel ei oleks mörasid, rebendeid ega liigset kulumust, et terasharjade harjased ei oleks lahtised ega purunenud.** Kui elektritööriist või lisatarviku kukub maha, kontrollige, et see ei oleks kahjustunud, või paigaldage uus lisatarviku. Pärast lisatarviku kontrolli ja paigaldust minge koos kõrvalseisjatega pöörlevast lisatarvikust eemale ja käitage elektritööriista maksimaalsel koormusvabal kiirusel üheks minutiks. Kahjustatud lisatarvikud lähevad tavaliselt selle testi ajal katki.
8. **Kandke isiklikku kaitsevarustust. Rakendusest olenevalt kandke näokaitset, kaitseprille või prille. Vajaduse korral kandke tolmumaski, kõvaklappe, kindaid ja põlle, mis suudab kaitsta väikeste abrasiivosakeste või töödeldava detaili kildude eest. Silmakaitse peavad kaitsma töö käigus tekkivate lenduvate osakeste eest. Tolmumask või respiraator peab kaitsma töö käigus tekkivate filtreeruvate osakeste eest. Alaline kokkupuude suure müraga võib põhjustada kuulmiskahjustuse.**
9. **Hoidke kõrvalseisjad tööalast turvalises kauguses. Kõik, kes sisenevad tööalasse, peavad kandma kaitsevarustust.** Töödeldava detaili või tarvikute osakesed võivad eemale lennata ja põhjustada vigastusi ka väljaspool vahetatud tööala.
10. **Hoidke elektritööriista ainult isoleeritud käepidemetest, kui töötate kohtades, kus lõiketera võib kokku puutuda peidetud juhtmetega.** Kokkupuude voolu all oleva juhtmega võib pingestada ka elektritööriista katmata metallosad ning operaator võib saada elektrilöögi.
11. **Ärge pange elektritööriista kunagi maha enne, kui tarviku liikumine pole täielikult peatunud.** Pöörlev tarviku võib pinnal liikumist jätkata ja põhjustada elektritööriista väljumise teie kontrolli alt.
12. **Ärge käitage elektritööriista selle kandmise ajal.** Juhuslik kokkupuude pöörleva tarvikuga võib põhjustada riide kinnijäämist ja tarviku kehasse tõmmata.
13. **Puhastage elektritööriista õhuavasid regulaarselt.** Mootori ventilaator tõmbab tolmu korpusesse ja metallitolmu liigne kogunemine võib põhjustada elektriõhu.
14. **Ärge kasutage seadet tuleohtlike materjalide lähedal.** Need materjalid võivad sädemetest süttida.

15. **Ärge kasutage tarvikuid, mis nõuavad jahutusvedelikke.** Vee või teiste vedelate jahutusvahendite kasutamine võib põhjustada surmava elektrilöögi või -soki.

Tagasilöökk ja vastavad hoiatused

Tagasilöök on äkiline reaktsioon, kui pöörlev ketas, aluspadid, hari või mõni muu lisatarvik kiilub kinni või satub ootamatu takistuse otsa. Väändumine võib pörkumine põhjustab kiiret pöörleva lisatarviku vääratamist, mis omakorda sünnib ühenduspunkti juhitamatut elektritööriista pöörlema vastassuunas lisatarviku pöörlemise suunale.

Näiteks kui abrasiivne ketas kiilub töödeldavasse detajli kinni, võib kinnikiilumiskohta sisenevad löikeketa serv materjali pinda tungida, mille tagajärjel hüppab löikeketa välja või põhjustab tagasilöögi. Löikeketa võib hüpata kasutaja poole või kasutajast eemale olenevalt ketta liikumissuunast kinnikiilumiskohas. Lihvkettad võivad neis tingimustes samuti puruneda.

Tagasilöök tekib elektritööriista väärkasutamisel ja/või mittevastava tööprotseduuri või -tingimuste korral ning on välditav, kui rakendate alljärgnevalt esitatud vastavaid ettevaatusabinõusid.

1. **Hoidke elektritööriistast tugevasti kinni ning seadke keha ja küünarnukk sellisesse asendisse, mis võimaldab tagasilöögile õigesti reageerida. Kasutage alati abikäepidet, kui see on olemas, et tööriista käivitamisel tagasilöögi ja pöördemomendi vastumõju üle kontrolli saavutada.** Asjakohaste ettevaatusabinõude rakendamisel saab operaator tagasilöögi ja pöördemomendi vastumõju kontrollida.
2. **Ärge kunagi asetage kätt pöörleva tarviku lähedale.** Te võite tarvikult tagasilöögi saada.
3. **Ärge viibige alas, kus elektritööriist või tagasilöögi ajal liikuda.** Tagasilöök paneb tööriista pörkekohas ketta liikumissuunale vastupidises suunas liikuma.
4. **Olge eriti ettevaatlik, kui töötlete nurki, teravaid servi jne. Välistage tarviku pörkumist esemete vastu.** Nurgad, teravad servad ja tagasipörkamine on tavaliselt nendeks teguriteks, mis võivad põhjustada pöörleva tarviku kinnijäämist, kontrolli kaotamist või tagasilööki.
5. **Ärge kunagi seadistage puulöketeraga saeketti või hammastega saetera.** Sellised terad tekitavad sageli tagasilööki ja juhitavuse kadu.

Spetsiaalsed turvahoiatused lihvimiseks ja abrasiivseteks löikeoperatsioonideks:

1. **Kasutage vaid kettatüüpe, mida teie elektritööriistale soovitatakse, ja valitud kettale mõeldud spetsiaalset piiret.** Kettaid, mille jaoks elektritööriist ei olnud mõeldud, ei saa piisavalt kaitsta ja need ei ole turvalised.
2. **Õhema keskosaga lihvketaste lihvind peab jääma kaitsepiirde tasapinnast allapoole.** Kui ketas on valesti paigaldatud ja ulatub kaitsepiirde tasapinnast välja, ei ole võimalik seda piisavalt kaitsta.
3. **Kaitsepiire kinnitatakse tugevasti elektritööriista külge ja seadistatakse maksimaalset ohutust tagavasse asendisse nii, et löikeketa jääks kasutajast võimalikult kaugemale.** Piire aitab käitajat kaitsta purunenud kettatükkide, kettaga juhuslikku kokkupuutesse sattumise ja rõivaid süüdata võivate sädemete eest.

4. **Kettaid tohib kasutada ainult sellel ots-terbel, milleks need on mõeldud.** Näiteks ärge kasutage löikeketa külge lihvimiseks. Abrasiivlöikekettad on ette nähtud äärepindade lihvimiseks, nende ketastele rakendatavad külglõud võivad ketta purustada.
5. **Kasutage ainult terveid kettaäärikuid, mis on valitud ketta jaoks sobiva suuruse ja kujuga.** Sobivad kettaäärikud toestavad keta, vähendades nii ketta purunemise ohtu. Löikeketa äärikud võivad lihvketaste äärikutes erineda.
6. **Ärge kasutage suuremate elektritööriistade kulunud kettaid.** Suurema elektritööriista jaoks tehtud ketas ei sobi väiksema tööriista suurema kiirusega ja võib katki minna.

Lisanduvad turvahoiatused abrasiivseteks löikeoperatsioonideks:

1. **Ärge ummistage löikeketa ega rakendage liigset jõudu. Ärge püüdke teha liiga sügavat lõiget.** Ketta ülepingestamine suurendab ketta koormust ja vastuvõtlikkust väändumisele või kinnijäämisele lõikes ning tagasilöögi esinemise või ketta purunemise võimalust.
2. **Ärge seadke ennast ühele joonele pöörleva löikekettaga ega selle taha.** Kui ketas liigub käituse ajal teie kehast eemale, võib tõenäoline tagasilöök pöörketa ega elektritööriista otse teie suunas liigutada.
3. **Kui ketas kiilub kinni või löikamine katkeb mingil põhjusel, lülitage elektritööriist välja ja hoidke tööriista liikumatult kuni ketta täieliku seiskumiseni. Ärge kunagi püüdke eemaldada löikeketa löikest, kui ketas liigub, sest võib esineda tagasilöök.** Selgitage välja ketta kinnijäämise põhjus ja rakendage asjakohast parandusmeetet põhjuse kõrvaldamiseks.
4. **Ärge käivitage löikamist töödeldavas detajlis. Laske kettal saavutada täiskirius ja sisenege uuesti hoolikalt löikesse.** Kui elektritööriist taaskäivitatakse töödeldavas detajlis, võib ketas kinni jääda, ülespoole liikuda või põhjustada tagasilöögi.
5. **Vähendamaks ketta pitsumise ja tagasilöögi ohtu, toestage paneelid või ülemõõdulised töödeldavad detajlid.** Suured detajlid hakkavad painduma omaenese raskuse all. Toed tuleb paigutada töödeldava detajli alla löikejoone lähedale ja tooriku serva lähedale ketta mõlemal küljel.
6. **Olge eriti ettevaatlik, kui teete „sukelduslöikamist“ olemasolevates seinetes või muudes varjatud piirkondades.** Väljaulatuv löikeketa võib lõikuda gaasi- või veetorusse, elektrijuhtmetesse või muudesse esemetesse ning põhjustada tagasilöögi.

Poleerimistöõde turvahoiatused:

1. **Ärge kasutage liiga suurte mõõtmetega poleerketta paberit.** Lihvpaberi valikul järgige tootjate soovitusi. Lihvklotsist kaugemale ulatuv suurem lihvpaber on rebenemisohtlik ja võib põhjustada ketta kinnijäämist, purunemist või tagasilööki.

Terasharjamise operatsioonide turvahoitused:

1. Arvestage sellega, et hari viskab traatharjaseid eemale ka tavakäituse ajal. Ärge avaldage terastraatidele liigset pinget harjale liigse koormuse rakendamisega. Terasharjased võivad lihtsalt kergesse rõivastusse ja/või nahka tungida.
2. Kui terasharjamisel soovitakse kasutada piiret, ärge laske teraskettal ega -harjal piirdega kokku puutuda. Terasketas või -hari võib töökoormuse ja tsentrifugaaljõu tõttu läbimõeldult laieneda.

Lisaturvahoitused:

1. Kui kasutate nõgusa keskosaga lihvketaid, veenduge, et kasutate ainult klaasiuga tugevdatud kettad.
2. **ÄRGE KUNAGI** kasutage selle lihvijaga koos kausslihvketaid. Seda lihvijat ei kasutata koos nimetatud ketastega, sest need võivad põhjustada tõsise kehavigastuse.
3. Ärge vigastage võlli, äärikut (eriti selle paigalduspinda) ega fiksaatormutrit. Nende osade kahjustused võivad põhjustada ketta purunemise.
4. Veenduge, et lihvketas ei puutuks enne tööriista sisselülitamist vastu töödeldavat detaili.
5. Enne tööriista kasutamist tegelikus töökeskkonnas laske sellel mõni aeg koormuseta töötada. Jälgige vibratsiooni või vibamist, mis võib tähendada ebaõiget paigaldust või halvasti tasakaalustatud ketast.
6. Lihvige selleks ette nähtud kettapinna osaga.
7. Ärge jätke tööriista käima. Käivitage tööriist ainult siis, kui hoiate seda käes.
8. Ärge puutuge töödeldavat detaili vahetult pärast töötlemist; see võib olla väga kuum ja põhjustada põletushaavu.
9. Ärge puutuge tarvikuid vahetult pärast töötlemist; need võivad olla väga kuumad ja põhjustada põletushaavu.
10. Ketta õigeks paigaldamiseks ja kasutamiseks järgige valmistaja juhendeid. Käsitsege ja ladustage kettaid hoolikalt.
11. Ärge kasutage suureauguliste lihvketaste kinnitamiseks sobituspukse või adaptereid.
12. Kasutage ainult äärikuid, mis on mõeldud kasutamiseks selle tööriistaga.
13. Tööriistade korral, kus kasutatakse keermetatud auguga kettaid, jälgige, et ketta keerme pikkus oleks piisav võlli kinnitamiseks.
14. Kontrollige, kas töödeldav detail on korralikult kinnitatud.
15. Pöörake tähelepanu asjaolule, et ketas jätkab pöörlemist ka pärast tööriista väljalülitamist.
16. Kui töökoht on äärmiselt kuum ja niiske või tugevalt saastatud elektrit juhtiva tolmuga, siis tuleb operatori ohutuse tagamiseks kasutada lühisvoolukaitset (30 mA).
17. Ärge kasutage tööriista asbesti sisaldavate materjalide töötlemiseks.
18. Kui töötate löikekettaga, siis kasutage alati tolmueemaldusega kettakaitset, mis vastab kohalikele eeskirjadele.
19. Löikeketaid ei tohi külgsuunas suruda.

20. Ärge kasutage töötamise ajal riidest töökin-daid. Riidest kinnaste kiud võivad sattuda tööriista sisse ja põhjustada tööriista purunemise.
21. Veenduge, et tööriista kasutamisel ei oleks läheduses elektrijuhtmeid, vee- ja gaasitorusid jne, mis võivad kahjustamise korral tekitada ohtu.

HOIDKE JUHEND ALLES.

⚠ HOIATUS: ÄRGE UNUSTAGE järgida toote ohutusnõudeid mugavuse või toote (korduskasutamise saavutatud) hea tundmise tõttu. **VALE KASUTUS** või kasutusjuhendi ohutuseeskirjade eiramine võib põhjustada tervisekahjustusi.

Akukassetiga seotud olulised ohutusjuhised

1. Enne akukasseti kasutamist lugege (1) akulaad-
djal, (2) akul ja (3) seadmel olevad juhtnõidrid ja hoiatused läbi.
2. Ärge võtke akukassetti lahti ega muutke seda. See võib põhjustada tulekahju, liigset kuumust või plahvatuse.
3. Kui tööaeg järsult lüheneb, siis lõpetage kohe kasutamine. Edasise kasutamise tulemuseks võib olla ülekuumenemisoht, võimalikud põletused või isegi plahvatus.
4. Kui elektrilüüti satub silma, siis loputage silma puhta veega ja pöörduge koheselt arsti poole. Selline õnnetus võib põhjustada pimedaksjäämist.
5. Ärge tekitage akukassetis lühist:
 - (1) Ärge puutuge klemme elektrijuhtidega.
 - (2) Ärge hoidke akukassetti tööriistakastis koos metallesemetega, nagu naelad, mündid jne.
 - (3) Ärge tehke akukassetti märjaks ega jätke seda vihma kätte.Aku lühis võib põhjustada tugevat elektri-
voolu, ülekuumenemist, põletusi ning ka sea-
det tõsiselt kahjustada.
6. Ärge hoidke ega kasutage tööriista ja akukas-
setti kohtades, kus temperatuur võib tõusta
üle 50 °C (122 °F).
7. Ärge põletage akukassetti isegi siis, kui see on
saanud tõsiselt vigastada või on täiesti kulu-
nu. Akukasett võib tules plahvatada.
8. Ärge naelutage, löigake, muljuge, visake aku-
kassetti ega laske sel kukkuda, samuti ärge
lööge selle pihta kõva esemega. Selline tegevus
võib põhjustada tulekahju, liigset kuumust või
plahvatuse.
9. Ärge kasutage kahjustatud akut.
10. Sisalduvatele liitium-ioonakudele võib kohal-
dua ohtlike kaupade õigusaktide nõuded.
Kaubanduslikul transportimisel, näiteks kolman-
date poolte või transpordiettevõtete poolt, tuleb
järgida pakendil ja siltidel toodud erinõudeid.
Transportimiseks ettevalmistamisel on vajalik
pidada nõu ohtliku materjali ekspertidega. Samuti
tuleb järgida võimalike riiklike regulatsioonide
üksikasjalikumaid nõudeid.
Katke teibiga või varjake avatud kontaktid ja
pakendage aku selliselt, et see ei saaks pakendis
liikuda.

11. Kasutuskõlbmatuks muutunud akukasseti kõrvaldamiseks eemaldage see tööriistast ja viige selleks ette nähtud kohta. Järgige kasutuskõlbmatuks muutunud aku kõrvaldamisel kohalikke eeskirju.
12. Kasutage akusid ainult Makita heaks kiidetud toodetega. Akude paigaldamine selleks mitte ettenähtud toodetele võib põhjustada süttimist, ülemäärast kuumust, plahvatamist või elektrolüüdi lekkimist.
13. Kui tööriista ei kasutata pika ajaperioodi jooksul, tuleb aku tööriistast eemaldada.
14. Kasutamise ajal ja pärast kasutamist võib akukassett kuumeneda, mis võib põhjustada põletusi või madala temperatuuri põletusi. Olge kuuma akukasseti kandmisel ettevaatlik.
15. Ärge puudutage tööriista klemmi kohe pärast kasutamist, sest see võib olla kuum ja põhjustada põletusi.
16. Hoidke akukasseti klemmid, avad ja sooned tükikestest, tolmust ja mullast puhtad. Muidu võib tööriist või akukassett halvasti töötada või puruneda.
17. Kui tööriist ei kannata kasutamist kõrgepingeliinide lähedal, ärge kasutage akukasseti kõrgepingeliinide lähedal. Muidu võib tööriist või akukassett puruneda või sellel tõrge tekkida.
18. Hoidke akut lastele kättesaamatult.

HOIDKE JUHEND ALLES.

⚠ETTEVAATUST: Kasutage ainult Makita originaalakusid. Mitte Makita originaalakude või muudetud akude kasutamine võib põhjustada akude süttimise, kehavigastuse ja kahjustuse. Samuti muudab see kehtetuks Makita tööriista ja laadija Makita garantii.

Vihjeid aku maksimaalse kasutusaja tagamise kohta

1. Laadige akukassetti enne selle täielikku tühjenemist. Kui märkate, et tööriist töötab väiksema võimsusega, peatage töö ja laadige akukassetti.
2. Ärge laadige täielikult laetud akukassetti. Ülelaadimine lühendab akude kasutusiga.
3. Laadige akukassetti toatemperatuuril 10 °C - 40 °C. Enne laadimist laske kuunenud akukassetil maha jahtuda.
4. Kui te ei kasuta parajasti akukassetti, eemaldage see tööriistast või laadurist.
5. Kui te ei kasuta akukassetti kauem kui kuus kuud, laadige see.

FUNKTSIONAALNE KIRJELDUS

⚠ETTEVAATUST: Kandke alati hoolt selle eest, et tööriist oleks enne reguleerimist ja kontrollimist välja lülitatud ja akukassett eemaldatud.

Akukasseti paigaldamine või eemaldamine

⚠ETTEVAATUST: Lülitage tööriist alati enne akukasseti paigaldamist või eemaldamist välja.

⚠ETTEVAATUST: Akukasseti paigaldamisel või eemaldamisel tuleb tööriista ja akukassetti kindlalt paigal hoida. Kui tööriista ja akukassetti ei hoita kindlalt paigal, võivad need käest libiseda ning kahjustada tööriista ja akukassetti või põhjustada kehavigastusi.

► **Joon.1:** 1. Punane näidik 2. Nupp 3. Akukassett

Akukasseti eemaldamiseks libistage see tööriista küljest lahti, vajutades kasseti esiküljel paiknevat nuppu alla.

Akukasseti paigaldamiseks joondage akukasseti keel korpuse soonega ja libistage kassett oma kohale. Paigaldage akuadapter alati nii kaugele, et see lukustuks klõpsatusega oma kohale. Kui näete nupu ülaosas punast osa, pole kassett täielikult lukustunud.

















⚠ETTEVAATUST: Paigaldage akukassett alati täies ulatuses nii, et punast osa ei jääks näha. Muidu võib adapter juhuslikult tööriistast välja kukkuda ning põhjustada teile või läheduses viibivatele isikutele vigastusi.

⚠ETTEVAATUST: Ärge rakendage akukasseti paigaldamisel jõudu. Kui kassett ei lähe kergesti sisse, pole see õigesti paigaldatud.

Aku jääkmahutavuse näit

Akukasseti järelejäänud mahutavuse kontrollimiseks vajutage kontrollimise nuppu. Märgulambid süttivad mõneks sekundiks.

► **Joon.2:** 1. Märgulambid 2. Kontrollimise nupp

Märgulambid			Jääkmahutavus
 Pöleb	 Ei põle	 Vilgub	
			75 - 100%
			50 - 75%
			25 - 50%
			0 - 25%
			Laadige akut.
			Akul võib olla tõrge.
			

MÄRKUS: Näidatud mahutavus võib veidi erineda tegelikkust mahutavusest olenevalt kasutustingimustest ja ümbritseva keskkonna temperatuurist.

MÄRKUS: Esimene (taga vasakul asuv) märgutuli vilgub, kui akukaitsesüsteem töötab.

Tööriista/aku kaitsesüsteem

Tööriist on varustatud tööriista või aku kaitsesüsteemiga. Süsteem lülitab mootori automaatselt välja, et pikendada tööriista ja aku tööiga. Tööriist seiskub käitamise ajal automaatselt, kui tööriista või aku kohta kehtib üks järgmistest tingimustest.

Ülekoormuskaitse

Kui tööriista/aku kasutamise käigus hakkab see tarbima ebaharilikult palju voolu, peatub tööriist automaatselt ilma igasuguse signaalita. Sel juhul lülitage tööriist välja ja lõpetage tööriista ülekoormuse põhjustanud töö. Pärast seda käivitage tööriist uuesti.

Ülekuumenemiskaitse

Tööriista/aku ülekuumenemisel seiskub tööriist automaatselt. Laske tööriistal maha jahtuda, enne kui selle uuesti sisse lülitate.

Ülelaadimiskaitse

Kui aku laetuse tase ei ole piisav, seiskub tööriist automaatselt. Sellisel juhul eemaldage aku seadmest ja laadige täis.

Kaitseluku vabastamine

Kaitsesüsteemi korduval töötamisel tööriist lukustub. Sellises olukorras ei käivitu tööriist isegi siis, kui seda lülitatakse välja ja sisse. Kaitseluku vabastamiseks eemaldage aku, seadke see akulaadijasse ja oodake, kuni laadimine lõpeb.

Võllilukk

Võlli pöörlemise takistamiseks vajutage võllilukku alati, kui paigaldate või eemaldate tarvikuid.

► **Joon.3:** 1. Võllilukk

TÄHELEPANU: Ärge kasutage kunagi võllilukku ajal, kui võll veel liigub. See võib tööriista kahjustada.

Lüliti funktsioneerimine

▲ETTEVAATUST: Enne akukasetti paigaldamist tööriista sisse kontrollige alati, kas liugurlüliti aktiveerub nõuetekohaselt ja tagaosale vajutamiseks naaseb asendisse OFF (VÄLJAS).

▲ETTEVAATUST: Pikemaajalisel kasutamisel saab lüliti operaatori mugavuse huvides lukustada sisselülitatud asendisse. Tööriista lukustamisel sisselülitatud asendisse olge ettevaatlik ja hoidke tööriista kindlas haardes.

Tööriista käivitamiseks vajutage liugurlüliti tagaosale ja libistage seda asendi „I“ (sisse lülitatud) poole. Pidevaks töötamiseks vajutage liugurlüliti esiosa alla, et see lukustada.

► **Joon.4:** 1. Liugurlüliti

Tööriista seiskamiseks vajutage liugurlüliti tagaosale et viia see tagasi asendisse „O“ (välja lülitatud).

► **Joon.5:** 1. Liugurlüliti

Juhusliku taaskäivitamise vältimise funktsioon

Kui paigaldate akukasetti tööriistale sel ajal, kui liugurlüliti on asendis „I“ (sisse lülitatud), siis tööriist ei käivitu. Tööriista käivitamiseks lükake liugurlüliti kõigepealt asendisse „O“ (välja lülitatud) ja seejärel asendisse „I“ (sisse lülitatud).

Elektroniline väändejõu juhtimise funktsioon

Tööriist tuvastab elektroniliselt olukorrad, kus ketas või tarvik ähvardavad kinni jääda. Sellises olukorras lülitatakse tööriist võlli edasise pöörlemise vältimiseks automaatselt välja (see ei hoiu ära tagasilööki). Tööriista taaskäivitamiseks lülitage tööriist esmalt välja, kõrvaldage pöörlemiskiiruse ootamatu langemise põhjus ja lülitage tööriist seejärel uuesti sisse.

Sujuvkäivituse funktsioon

Sujuvkäivituse funktsioon vähendab käivituslööki.

KOKKUPANEK

▲ETTEVAATUST: Kandke alati hoolt selle eest, et tööriist oleks enne reguleerimist ja kontrollimist välja lülitatud ja akukasett eemaldatud.

Külglkäepideme (käepide) paigaldamine

▲ETTEVAATUST: Enne tööd kontrollige alati, kas külglkäepide on kindlalt paigaldatud.

Kravige külglkäepide kindlalt oma kohale, nii nagu joonisel näidatud.

► **Joon.6**

Kettakaitsme paigaldamine või eemaldamine

▲HOIATUS: Kui kasutate nõrga keskosaga ketast, lamellketast, painduvat ketast või ketast-raatharja, tuleb kettakaitsme paigaldada tööriista külge nii, et kaitsme kinnine külg jääks alati operaatori poole.

▲HOIATUS: Veenduge, et lukustushoob oleks kettakaitsme turvaliselt lukustunud, lukustades ühe kettakaitsmel oleva augu.

▲HOIATUS: Kui kasutate lihvi/teemantketast, siis valige kindlasti spetsiaalselt selle löikekettaga kasutamiseks mõeldud kettakaitsme.

(Mõnes Euroopa riigis võib teemantkettaga kasutada tavalist kettakaitsmet. Järgige oma riigis kehtivaid eeskirju.)

Nõgusa keskosaga kettale, lamellkettale, painduvale kettale, ketastraatharjale / lõikekettale, teemantkettale

1. Paigaldage kettakaitse lukustushooba alla vajutades nii, et kettakaitse klambri eendid oleksid laagri-ümbrise sälkudega kohakuti.

► **Joon.7:** 1. Lukustushoob 2. Soon 3. Eenduv osa

2. Lukustushooba A suunas lükates suruge alla kettakaitse, hoides B-osj poonisel näidatud viisil all.

► **Joon.8:** 1. Kettakaitse 2. Ava

MÄRKUS: Suruge kettakaitse sirgelt alla. Muidu ei ole võimalik kettakaitset täielikult suruda.

3. Hoides lukustushooba ja kettakaitset 2. sammus kirjeldatud asendis, keerake kettakaitse C suunas ja muutke seejärel kettakaitse nurka olenevalt tööst, et kasutaja oleks kaitstud. Viige lukustushoob kohakuti kettakaitse aukudest ühega ja vabastage seejärel kettakaitse lukustamiseks lukustushoob.

► **Joon.9:** 1. Kettakaitse 2. Ava

MÄRKUS: Suruge kettakaitse täielikult alla. Muidu ei ole võimalik kettakaitset pöörata.

Kettakaitse eemaldamiseks järgige paigaldamise protseduuri vastupidises järjekorras.

Nõgusa keskosaga ketta või lamellketta paigaldamine või eemaldamine

Valikuline tarvik

⚠HOIATUS: Kui kasutate nõgusa keskosaga kettast või lamellkettast, tuleb kettakaitse paigaldada tööriista külge nii, et kaitse kinnine külg jääks alati operaatori poole.

⚠ETTEVAATUST: Veenduge, et siseääriku paigaldusosa sobiks suurepäraselt nõgusa keskosaga ketta / lamellketta siseläbimõõduga. Siseääriku paigaldamine valele küljele võib põhjustada ohtlikku vibratsiooni.

Paigaldage siseäärik võllile.

Asetage siseääriku süvendatud pool kindlasti võlli põhjas sirgele osale.

Paigaldage nõgusa keskosaga ketas / lamellketas siseääriku peale ja keerake fiksaatormutter võlli külge.

► **Joon.10:** 1. Fiksaatormutter 2. Nõgusa keskosaga ketas 3. Siseäärik 4. Paigaldusosa

Fiksaatormutri pingutamiseks suruge tugevalt võlli lukustusnuppu nii, et võll ei saaks pöörelda, ning pingutage fiksaatormutrit fiksaatormutri jaoks ettenähtud võtmega päripäeva.

► **Joon.11:** 1. Fiksaatormutri võti 2. Võllilukk

Ketta eemaldamiseks järgige paigaldamise protseduuri vastupidises järjekorras.

Lõikeketta paigaldamine või eemaldamine

Valikuline tarvik

⚠HOIATUS: Kasutage alati kaasasolevat kaitset, kui tööriistal on painduv ketas. Kui ketas peaks töötamisel tükikideks purunema, aitab kaitse vigastusi vältida.

► **Joon.12:** 1. Fiksaatormutter 2. Painduv ketas 3. Tugipadi 4. Siseäärik

Järgige nõgusa keskosaga ketta juhtnööre, kuid kasutage kettal ka tugipatja. Vt kokkupaneku järjekorda selle kasutusjuhendi tarvikute leheküljelt.

Lihvketta paigaldamine või eemaldamine

Valikuline tarvik

► **Joon.13:** 1. Lihvimise fiksaatormutter 2. Lihvketas 3. Kummist tugiketas

1. Paigaldage kummist tugiketas võllile.

2. Sobitage ketas kummist tugikettale ja kravige lihvimise fiksaatormutter võllile.

3. Hoidke võlli koos võllilukuga ja pingutage lihvimise fiksaatormutrit lukustusmutri mutrivõtmega päripäeva.

Ketta eemaldamiseks tegutsuge paigaldamise protseduurile vastupidises järjekorras.

MÄRKUS: Kasutage kasutusjuhendis nimetatud lihvtarvikuid. Need tuleb osta eraldi.

Ezynuti paigaldamine või eemaldamine

Valikuline tarvik

⚠ETTEVAATUST: Ärge kasutage Ezynutiit suureäärikuga ega nurklihvijaga, mille mudeli numbril lõpus on „F“. Need äärikud on nii paksud, et võll ei suuda tervet keeret kinni hoida.

► **Joon.14:** 1. Ezynut 2. Lihvketas 3. Sisemine flanš 4. Võll

Paigaldage siseäärik, lihvketas ja Ezynut võllile nii, et Makita logo jääks Ezynutil väljapoole.

► **Joon.15:** 1. Võllilukk

Vajutage tugevasti võllilukule ja kinnitage Ezynut, keerates lihvketas päripäeva lõpuni.

Avamiseks pöörake Ezynuti välisrõngast vastupäeva.

► **Joon.16:** 1. Nool 2. Sälk

► **Joon.17**

MÄRKUS: Ezynuti saab avada käsitsi siis, kui nool osutab sälgule. Vastasel korral kasutage avamiseks mutrivõtit. Sisestage mutrivõtme üks sõrm avasse ja pöörake Ezynuti vastupäeva.

Lihv-/teemantketta paigaldamine

Valikuline tarvik

▲HOIATUS: Kui kasutate lihv-/teemantketast, siis valige kindlasti spetsiaalselt selle löikekettaga kasutamiseks mõeldud kettakaitse.

(Mõnes Euroopa riigis võib teemantketta puhul kasutada tavalist kettakaitset. Järgige oma riigis kehtivaid eeskirju.)

▲HOIATUS: ÄRGE KUNAGI kasutage löikeketast küglihvimiseks.

- **Joon.18:** 1. Fiksaatormutter 2. Lihv-/teemantketas 3. Siseäärrik 4. Lihv-/teemantketta ketta kaitse

Paigaldamisel järgige nõgusa keskosaga ketast puudutavaid juhtnõude.

Fiksaatormutri ja siseääriku suund on oleb monteerimisel ketta tüübit ja paksusest.

Vt järgmisi jooniseid.

Lihvketta paigaldamine:

- **Joon.19:** 1. Fiksaatormutter 2. Lihvketas (õhem kui 4 mm) 3. Lihvketas (4 mm või paksem) 4. Siseäärrik

Teemantketta paigaldamine:

- **Joon.20:** 1. Fiksaatormutter 2. Teemantketas (õhem kui 4 mm) 3. Teemantketas (4 mm või paksem) 4. Siseäärrik

Traatidega kaussharja paigaldamine

Valikuline tarvik

▲ETTEVAATUST: Ärge kasutage kahjustatud või balansseerimata harja. Kahjustatud harja kasutamine võib suurendada harja katkiste terasharjaste põhjustatud vigastusohu.

- **Joon.21:** 1. Kausshari Terasharjad

Eemaldage akukassett tööriista küljest ja asetage tööriist tagurpidi, et võimaldada hõlpsat juurdepääsu völliile.

Eemaldage völliilt kõik tarvikud. Paigaldage terashari völliile ja keerake kaasasoleva mutrivõtmega kinni.

Ketastraatharja paigaldamine

Valikuline tarvik

▲ETTEVAATUST: Ärge kasutage kahjustatud või tasakaalustamata ketastraatharja. Kahjustatud ketastraatharja kasutamine võib suurendada katkiste harjaste põhjustatud vigastusohu.

▲ETTEVAATUST: Kasutage ketastraatharjadega töötamisel ALATI kaitset, valides ketta diameetrile sobiva suuruse. Kui ketas peaks töötamisel tükki purunema, aitab kaitse vigastusi vältida.

- **Joon.22:** 1. Ketastraathari

Eemaldage akukassett tööriista küljest ja asetage tööriist tagurpidi, et võimaldada hõlpsat juurdepääsu völliile.

Eemaldage völliilt kõik tarvikud. Keerake ketastraathari völliile ja kinnitage mutrivõtmega.

TÖÖRIISTA KASUTAMINE

▲HOIATUS: Ärge kasutage tööriista suhtes kunagi jõudu. Tööriista enda raskus annab piisava surve. Ülemäärane surumine ja surve võivad põhjustada ketta ohtliku purunemise.

▲HOIATUS: Vahetage ketas ALATI välja, kui tööriist on käimise ajal maha kukkunud.

▲HOIATUS: Ärge lööge KUNAGI käiaketast vastu töödeldavat detaili.

▲HOIATUS: Vältige ketta kinnikiilumist ja vastu töödeldavat pinda pörkumist, eriti siis, kui töötate nurkades ja teravate servadega jne. See võib põhjustada ohtlikke tagasilööke.

▲HOIATUS: Ärge kasutage tööriista puude saagimise saelehtedega ega muude saelehtedega. Selliste saelehtede kasutamisel lihvijaga annavad need sageli tagasilöögi ja toovad endaga kaasa kontrolli kaotamise, mis põhjustab vigastuste tekkimist.

▲ETTEVAATUST: Ärge käivitage kunagi tööriista, mis on kontaktis töödeldava pinna või detailiga, sest see võib kaasa tuua ohtlikke vigastusi.

▲ETTEVAATUST: Kandke töö juures alati kaitseprille või näokatet.

▲ETTEVAATUST: Pärast tööd lülitage tööriist alati välja ja oodake enne tööriista käest panemist, kuni ketas on täielikult seiskunud.

▲ETTEVAATUST: Hoidke tööriista ALATI kindlalt ühe käega korpusest ja teisega külgkäepidemest.

Käimise ja lihvimise režiim

- **Joon.23**

Lülitage tööriist sisse ja alustage seejärel kettaga pinna või detaili töötlemist.

Tavaliselt hoidke ketta serva töödeldava pinna suhtes u 15° nurga all.

Uue ketta sissetöötamisperioodil ärge töötage käiaga edasisuunas; sest muidu võib ketas lõikuda töödeldavasse pinda. Kui ketta serv on töö käigus ümaraks muutunud, võib ketast kasutada nii edasi- kui ka tagasisuunas.

Lihv-/teemantketta käitamine

Valikuline tarvik

⚠️HOIATUS: Ärge ummistage ketast ega rakedage liigset jõudu. Ärge püüdke teha liiga sügavat löiget. Liigse jõu rakendamine suurendab koormust ja ketta väänamise või kinnikiilumise tõenäosust lõikejaljes ning tagasilöögi, ketta purunemise ja mootori ülekuumenemise võimalusi.

⚠️HOIATUS: Ärge käivitage töödeldava detaili löikeoperatsiooni. Laske kettal saavutada täisikiirus ja sisenege hoolikalt löikesse, liigutades tööriista üle töödeldava detaili pinna. Kui elektritööriista taaskäivitatatakse töödeldava detaili sees, võib ketas kinni jääda, ülespoole liikuda või põhjustada tagasilöögi.

⚠️HOIATUS: Ärge kunagi muutke ketta nurka löikeoperatsiooni ajal. Lõikeketastele külgsurve rakendamine (nagu lihvimisel) põhjustab ketta mõramist ja purunemist, mis võib kaasa tuua tõsiseid vigastusi.

⚠️HOIATUS: Teemantketast tuleb kasutada lõigatava materjali suhtes ristloodis.

Kasutusnäide: töötamine lõikekettaga

► Joon.24

Kasutusnäide: töötamine teemantkettaga

► Joon.25

Traatidega kaussharja käitamine

Valikuline tarvik

⚠️ETTEVAATUST: Kontrollige harja tööd, lastes tööriistal tühjalt käia ja kandes hoolt selle eest, et keegi ei asuks harja ees või sellega ühel joonel.

TÄHELEPANU: Vältige liigse surve avaldamist, mis võiks põhjustada traatidega kaussharja kasutamise ajal traatide ülepaandumist. See võib tuua kaasa enneaegse purunemise.

Kasutusnäide: töötamine traatidega kaussharjaga

► Joon.26

Ketastraatharja käitamine

Valikuline tarvik

⚠️ETTEVAATUST: Kontrollige ketastraatharja tööd, lastes tööriistal tühjalt käia ja kandes hoolt selle eest, et keegi ei asuks ketastraatharja ees või sellega ühel joonel.

TÄHELEPANU: Vältige liigse jõu rakendamist, mis põhjustab traatide ülemäära paindumist ketastraatharja kasutamise ajal. See võib põhjustada enneaegset purunemist.

Kasutusnäide: töötamine ketastraatharjaga

► Joon.27

HOOLDUS

⚠️ETTEVAATUST: Enne kontrolli- või hooldustoimingute tegemist kandke alati hoolt selle eest, et tööriist oleks välja lülitatud ja akusset korpuse küljest eemaldatud.

TÄHELEPANU: Ärge kunagi kasutage bensiini, vedeldit, alkoholi ega midagi muud sarnast. Selle tulemuseks võib olla luitumine, deformatsioon või pragunemine.

Toote OHUTUSE ja TÖÖKINDLUSE tagamiseks tuleb vajalikud remonttööd, muud hooldus- ja reguleerimistööd lasta teha Makita volitatud teeninduskeskustes. Alati tuleb kasutada Makita varuosi.

Ventilatsioonitava puhastamine

Tööriist ja selle ventilatsioonitavad peavad olema puhtad. Puhastage tööriista ventilatsioonitavasid regulaarselt või siis, kui need hakkavad ummistuma.

► Joon.28: 1. Väljalaskeava 2. Sisselaskeava

Eemaldage ventilatsioonitavaltoimukate ja puhastage seda, et tagada sujuv õhuringlus.

► Joon.29: 1. Tolmukate

TÄHELEPANU: Puhastage tolmu- ja õõrkehaded, kui see on tolmu või õõrkehadedega ummistunud. Töö jätkamine ummistunud tolmu- ja õõrkehadedega võib tööriista kahjustada.

VALIKULISED TARVIKUD

⚠ETTEVAATUST: Neid tarvikuid ja lisaseadiseid on soovitatav kasutada koos Makita tööriistaga, mille kasutamist selles kasutusjuhendis kirjeldatakse. Muude tarvikute ja lisaseadiste kasutamisega kaasneb vigastada saamise oht. Kasutage tarvikuid ja lisaseadiseid ainult otstarbekohaselt.

Saate vajaduse korral kohalikust Makita teeninduskeskusest lisateavet nende tarvikute kohta.

- Makita algupärane aku ja laadija

► **Joon.30**

	150 mm (6") mudel
-	
1	Käepide 36
2	Kettakaitse (lihvketta jaoks)
3	Siseäärik
4	Nõgusa keskosaga ketas / lamellketas
5	Fiksaatormutter
6	Tugipadi
7	Painduv ketas
8	Kummist tugiketas 125
9	Lihvketas
10	Lihvimise fiksaatormutter
11	Ketastraathari
12	Kausshari Terasharjad
13	Kettakaitse (lõikekettale) *1
14	Lihv-/teemantketas
-	Fiksaatormutri võti

MÄRKUS: *1 Osas Euroopa riikides võib teemantketta kasutamisel kasutada tavalist kaitsekatet, mitte mõlemat ketta külge varjavat spetsiaalset kaitsekatet. Järgige oma riigis kehtivaid eeskirju.

MÄRKUS: Mõned nimekirjas loetletud tarvikud võivad kuuluda standardvarustusse ning need on lisatud tööriista pakendisse. Need võivad riigiti erineda.

ТЕХНИЧЕСКИЕ ХАРАКТЕРИСТИКИ

Модель:	GA035G	
Диаметр диска	150 мм (6 дюйма)	
Макс. толщина диска	6,4 мм	
Резьба шпинделя	M14 или 5/8 дюйма (в зависимости от страны)	
Номинальное число оборотов (n)	8 500 мин ⁻¹	
Общая длина	с BL4025	398 мм
	с BL4040	410 мм
Масса нетто	3,0–3,7 кг	
Номинальное напряжение	36–40 В пост. тока макс.	

- Благодаря нашей постоянно действующей программе исследований и разработок указанные здесь технические характеристики могут быть изменены без предварительного уведомления.
- Технические характеристики могут различаться в зависимости от страны.
- Масса может отличаться в зависимости от дополнительного оборудования. Обратите внимание, что блок аккумулятора также считается дополнительным оборудованием. В таблице представлены комбинации с наибольшим и наименьшим весом в соответствии с процедурой EPTA 01/2014.

Подходящий блок аккумулятора и зарядное устройство

Блок аккумулятора	BL4025 / BL4040
Зарядное устройство	DC40RA

- В зависимости от региона проживания некоторые блоки аккумуляторов и зарядные устройства, перечисленные выше, могут быть недоступны.

⚠ ОСТОРОЖНО: Используйте только перечисленные выше блоки аккумуляторов и зарядные устройства. Использование других блоков аккумуляторов и зарядных устройств может привести к травме и/или пожару.

Назначение

Инструмент предназначен для шлифовки, зачистки (в том числе проволочной щеткой) и резки материалов из металла и камня без использования воды.

Шум

Типичный уровень взвешенного звукового давления (A), измеренный в соответствии с EN60745-2-3:
 Уровень звукового давления (L_{pA}): 82 дБ (A)
 Уровень звуковой мощности (L_{WA}): 93 дБ (A)
 Погрешность (K): 3 дБ (A)

ПРИМЕЧАНИЕ: Заявленное значение распространения шума измерено в соответствии со стандартной методикой испытаний и может быть использовано для сравнения инструментов.

ПРИМЕЧАНИЕ: Заявленное значение распространения шума можно также использовать для предварительных оценок воздействия.

⚠ ОСТОРОЖНО: Используйте средства защиты слуха.

⚠ ОСТОРОЖНО: Распространение шума во время фактического использования электроинструмента может отличаться от заявленного значения в зависимости от способа применения инструмента и в особенности от типа обрабатываемой детали.

⚠ ОСТОРОЖНО: Обязательно определите меры безопасности для защиты оператора, основанные на оценке воздействия в реальных условиях использования (с учетом всех этапов рабочего цикла, таких как выключение инструмента, работа без нагрузки и включение).

Вибрация

Суммарное значение вибрации (сумма векторов по трем осям), определенное в соответствии с EN60745-2-3:

Рабочий режим: плоское шлифование с использованием обычной боковой ручки

Распространение вибрации ($a_{h,AG}$): 7,0 м/с²

Погрешность (K): 1,5 м/с²

Рабочий режим: плоское шлифование с использованием антивибрационной боковой ручки

Распространение вибрации ($a_{h,AG}$): 9,5 м/с²

Погрешность (K): 1,5 м/с²

Рабочий режим: шлифование с использованием обычной боковой ручки

Распространение вибрации ($a_{h, DS}$) : 4,5 м/с²

Погрешность (K): 1,5 м/с²

Рабочий режим: шлифование с использованием антивибрационной боковой ручки

Распространение вибрации ($a_{h, DS}$) : 4,0 м/с²

Погрешность (K): 1,5 м/с²

ПРИМЕЧАНИЕ: Заявленное общее значение распространения вибрации измерено в соответствии со стандартной методикой испытаний и может быть использовано для сравнения инструментов.

ПРИМЕЧАНИЕ: Заявленное общее значение распространения вибрации можно также использовать для предварительных оценок воздействия.

▲ ОСТОРОЖНО: Распространение вибрации во время фактического использования электроинструмента может отличаться от заявленного значения в зависимости от способа применения инструмента и в особенности от типа обрабатываемой детали.

▲ ОСТОРОЖНО: Обязательно определите меры безопасности для защиты оператора, основанные на оценке воздействия в реальных условиях использования (с учетом всех этапов рабочего цикла, таких как выключение инструмента, работа без нагрузки и включение).

▲ ОСТОРОЖНО: Заявленное значение распространения вибрации относится к основным операциям, выполняемым с помощью электроинструмента. Однако если электроинструмент используется для других целей, уровень вибрации может отличаться.

Декларация о соответствии ЕС

Только для европейских стран

Декларация о соответствии ЕС включена в руководство по эксплуатации (Приложение А).

МЕРЫ БЕЗОПАСНОСТИ

Общие рекомендации по технике безопасности для электроинструментов

▲ ОСТОРОЖНО: Ознакомьтесь со всеми представленными инструкциями по технике безопасности, указаниями, иллюстрациями и техническими характеристиками, прилагаемыми к данному электроинструменту. Несоблюдение каких-либо инструкций, указанных ниже, может привести к поражению электрическим током, пожару и/или серьезной травме.

Сохраните брошюру с инструкциями и рекомендациями для дальнейшего использования.

Термин "электроинструмент" в предупреждениях относится ко всему инструменту, работающему от сети (с проводом) или на аккумуляторах (без провода).

Правила техники безопасности при эксплуатации аккумуляторной шлифовальной машины

Общие предупреждения о правилах техники безопасности при выполнении шлифования, зачистки проволочной щеткой или абразивной резки:

1. Данный электроинструмент предназначен для шлифования, зачистки проволочной щеткой и абразивной резки. Ознакомьтесь со всеми представленными инструкциями по технике безопасности, указаниями, иллюстрациями и техническими характеристиками, прилагаемыми к данному электроинструменту. Несоблюдение каких-либо инструкций, указанных ниже, может привести к поражению электрическим током, пожару и/или серьезной травме.
2. Не рекомендуется пользоваться данным инструментом для выполнения таких операций, как полировка. Использование инструмента не по прямому назначению может привести к опасной ситуации и стать причиной травмы.
3. Не используйте принадлежности других производителей, не рекомендованные производителем данного инструмента. Даже если принадлежность удастся закрепить на инструменте, это не обеспечит безопасность эксплуатации.
4. Номинальная скорость принадлежности должна быть как минимум равна максимальной скорости, обозначенной на инструменте. При превышении номинальной скорости принадлежности она может разломиться на части.
5. Внешний диаметр и толщина принадлежности должны соответствовать номинальной мощности инструмента. Принадлежности, размер которых подобран неверно, не гарантируют безопасности и точности управления.
6. Резьбовые отверстия дополнительных принадлежностей должны совпадать с резьбой шпинделя шлифмашины. Для принадлежностей, устанавливаемых с помощью фланцев, отверстие для шпинделя на принадлежности должно соответствовать диаметру фланца. Принадлежности, не соответствующие монтажному креплению электроинструмента, приведут к разбалансировке, сильной вибрации и потере контроля.
7. Не используйте поврежденные принадлежности. Перед каждым использованием принадлежностей типа абразивных дисков проверяйте их на наличие сколов и трещин, проверяйте опорные фланцы на наличие трещин, задиrow или чрезмерного износа, а проволочные щетки - на наличие выпавших или сломанных проволок. Если вы уронили инструмент или принадлежность, осмотрите их на предмет повреждений или установите исправную принадлежность. После осмотра и установки принадлежности встаньте в безопасном положении относительно плоскости вращения принадлежности (и проследите, чтобы это сделали окружающие) и включите инструмент на максимальной скорости без нагрузки на одну минуту. Поврежденная принадлежность обычно ломается в течение пробного периода.

8. **Надевайте индивидуальные средства защиты. В зависимости от выполняемых операций используйте защитную маску или защитные очки. При необходимости надевайте респиратор, средство защиты органов слуха, перчатки и защитный переносчик для защиты от небольших частиц абразивных материалов или детали.** Средства защиты органов зрения должны предохранять от летящих фрагментов, появляющихся при выполнении различных операций. Пылезащитная маска или респиратор должны обеспечивать фильтрацию пыли, возникающей во время работы. Продолжительное воздействие сильного шума может стать причиной потери слуха.
9. **Посторонние лица должны находиться на безопасном расстоянии от рабочей зоны. Любой приближающийся к рабочему месту человек должен предвзято надеть индивидуальные средства защиты.** Осколки заготовки или сломавшейся принадлежности могут разлететься и причинить травму даже на значительном удалении от рабочего места.
10. **Если при выполнении работ существует риск контакта режущего инструмента со скрытой электропроводкой, держите электроинструмент только за специально предназначенные изолированные поверхности.** Контакт с проводом под напряжением приведет к тому, что металлические детали инструмента также будут под напряжением, что приведет к поражению оператора электрическим током.
11. **Не кладите инструмент, пока принадлежность полностью не остановится.** Вращающаяся насадка может коснуться поверхности, и вы не удержите инструмент.
12. **Не включайте инструмент во время переключки.** Случайный контакт с вращающейся принадлежностью может привести к заземлению одежды и притягиванию принадлежности к телу.
13. **Регулярно прочищайте вентиляционные отверстия инструмента.** Вентилятор электродвигателя засасывает пыль внутрь корпуса, а значительные отложения металлической пыли могут привести к поражению электрическим током.
14. **Не используйте инструмент вблизи горючих материалов.** Эти материалы могут воспламениться от искр.
15. **Не используйте принадлежности, требующие жидкостного охлаждения.** Использование воды или других охлаждающих жидкостей может привести к поражению электротоком.

Отдача и соответствующие предупреждения

Отдача – это мгновенная реакция на неожиданное застопоривание вращающегося диска, опорной подушки, щетки или другой принадлежности. Зажимание или застопоривание вызывает резкий останов вращающейся принадлежности, что, в свою очередь, приводит к неконтролируемому рывку инструмента в направлении, противоположном вращению принадлежности в момент застревания.

Например, если абразивный диск зажимается или прихватывается деталью, край диска, находящийся в точке заклинивания, может углубиться в поверхность детали, что приведет к выкачиванию или выскакиванию диска. Диск может совершить рывок в направлении оператора или обратно, в зависимости от направления перемещения диска в точке заклинивания. Также в этих условиях абразивные диски могут сломаться.

Отдача – это результат неправильного использования электроинструмента и/или неправильных методов или условий работ, чего можно избежать, соблюдая нижеуказанные меры предосторожности.

1. **Крепко держите электроинструмент и располагайте свое тело и руки так, чтобы можно было сопротивляться силам отдачи. Обязательно используйте вспомогательную рукоятку (при наличии), чтобы обеспечить максимальный контроль над отдачей или крутящим моментом во время пуска.** Оператор способен справиться с крутящим моментом и силами отдачи при условии соблюдения соответствующих мер безопасности.
2. **Берегите руки от вращающейся насадки.** При отдаче насадка может задеть ваши руки.
3. **Не становитесь на возможной траектории движения инструмента в случае отдачи.** При отдаче инструмент сместится в направлении, противоположном вращению диска в момент застревания.
4. **Соблюдайте особую осторожность при обработке углов, острых краев и т. п. Не допускайте ударов и застревания принадлежности.** Углы, острые края и удары способствуют прихватыванию вращающейся принадлежности, которое приводит к выходу из-под контроля или отдаче.
5. **Не устанавливайте на инструмент пильную цепь, принадлежность для резьбы по дереву или пильный диск.** Такие пилы часто дают отдачу и приводят к потере контроля.

Специальные предупреждения о безопасности для операций шлифования и абразивной резки:

1. **Используйте диски только рекомендованных для вашего электроинструмента типов и специальные защитные приспособления, разработанные для выбранного диска.** Диски, не предназначенные для данного инструмента, не обеспечивают достаточную степень защиты и небезопасны.
2. **Шлифовальная поверхность дисков с утопленным центром должна быть установлена под плоской поверхностью кромки кожаной.** Для неправильно установленного диска, выступающего над плоской поверхностью кромки кожаной, надлежащая защита не гарантируется.
3. **Ограждение должно быть надежно закреплено на инструменте и расположено для обеспечения максимальной защиты таким образом, чтобы как можно меньший сегмент диска выступал наружу.** Кожух помогает обезопасить оператора от разлета осколков разрушившегося диска, случайного прикосновения к диску и искр, которые могут воспламенить одежду.

4. **Диски должны использоваться только по рекомендованному назначению.** Например: не шлифуйте краем отрезного диска. Абразивные отрезные диски предназначены для периферийного шлифования, и боковые усилия, приложенные к таким дискам, могут вызвать их разрушение.
5. **Обязательно используйте неповрежденные фланцы для дисков соответствующего размера и формы.** Подходящие фланцы поддерживают диск, снижая вероятность его повреждения. Фланцы для отрезных дисков могут отличаться от фланцев для шлифовальных дисков.
6. **Не используйте изношенные диски от более крупных электроинструментов.** Диски, предназначенные для более мощного электроинструмента, не подходят для высокооборотистого электроинструмента меньшей мощности и могут разломиться.

Дополнительные специальные предупреждения о безопасности для операций абразивной резки:

1. **Не “заклинивайте” отрезной диск и не прикладывайте к нему чрезмерное давление.** Не пытайтесь сделать слишком глубоком разрез. Перенапряжение диска увеличивает нагрузку и вероятность искривления или застревания диска в прорези, а также отдачи или поломки диска.
2. **Не становитесь на возможной траектории движения вращающегося диска и позади него.** Если во время работы диск движется от вас, то при отдаче вращающийся диск и инструмент может отбросить прямо на вас.
3. **Если диск застревает или процесс резания прерывается по другой причине, выключите электроинструмент и держите его неподвижно до полной остановки диска.** Не пытайтесь извлечь отрезной диск из разреза до полной остановки диска, в противном случае может возникнуть отдача. Выясните и устранили причину застревания диска.
4. **Не перезапускайте отрезной диск, пока он находится в детали.** Дождитесь, пока диск разовьет максимальную скорость, и осторожно погрузите его в разрез. Диск может застрять, отдача может отбросить его вверх или назад, если перезапустить электроинструмент непосредственно в детали.
5. **Устанавливайте опоры под панели или большие детали, чтобы уменьшить риск застревания диска и возникновения отдачи.** Большие детали имеют тенденцию к прогибанию под собственным весом. При резании таких панелей необходимо поместить опоры под разрезаемую деталью рядом с линией разреза и рядом с краем детали с обеих сторон диска.
6. **Будьте особенно осторожны при выполнении врезки в существующих стенах или на других участках, недоступных для осмотра.** Выступающая часть диска может перерезать газовые или водопроводные трубы, электропроводку или детали, что может вызвать отдачу.

Специальные инструкции по технике безопасности для выполнения операций шлифовки:

1. **Не пользуйтесь наждачной бумагой слишком большого размера.** При выборе наждачной бумаги следуйте рекомендациям производителя. Большие размеры наждачной бумаги, выступающей за края подложки, могут привести к разрыву бумаги, застреванию, разрушению круга или отдаче.

Специальные инструкции по технике безопасности, относящиеся к операциям очистки проволочной щеткой:

1. **Берегитесь проволок, которые разлетаются от щетки даже в нормальном режиме работы.** Не прикладывайте чрезмерное усилие на проволоку, слишком сильно нажимая на щетку. Проволока щетки может легко пробить одежду и/или кожу.
2. **Если для работы по очистке проволочными щетками рекомендуется использовать кожух, не допускайте контакта проволочного диска или щетки с кожухом.** Проволочный диск или щетка могут увеличиваться в диаметре под воздействием нагрузки и центробежных сил.

Дополнительные правила техники безопасности:

1. **При применении дисков с утопленным центром используйте только диски, армированные стекловолокном.**
2. **ЗАПРЕЩАЕТСЯ ИСПОЛЬЗОВАТЬ с этим инструментом шлифовальные чашки для камня.** Данная шлифмашина не предназначена для дисков такого типа, их использование может привести к тяжелой травме.
3. **Будьте осторожны во избежание повреждения шпинделя, фланца (особенно его установочной поверхности) или контргайки.** Повреждения этих деталей могут привести к поломке диска.
4. **Перед включением выключателя убедитесь, что диск не касается детали.**
5. **Перед использованием инструмента на реальной детали дайте ему немного поработать вхолостую.** Следите за вибрацией или биением, которые могут свидетельствовать о неправильной установке или плохой балансировке диска.
6. **Для выполнения шлифования пользуйтесь соответствующей поверхностью диска.**
7. **Не оставляйте работающий инструмент без присмотра.** Включайте инструмент только тогда, когда он находится в руках.
8. **Сразу после окончания работ не прикасайтесь к обработанной детали.** Она может быть очень горячей, что приведет к ожогам кожи.
9. **Сразу после окончания работ не прикасайтесь к вспомогательным деталям.** Они могут быть очень горячими, что приведет к ожогам кожи.
10. **Соблюдайте инструкции изготовителя по правильной установке и использованию дисков.** Бережно обращайтесь с дисками и аккуратно храните их.
11. **Не пользуйтесь отдельными переходными втулками или адаптерами для крепления абразивных дисков с большими отверстиями.**

12. Пользуйтесь только фланцами, предназначенными для данного инструмента.
13. Для инструментов, предназначенных для использования дисков с резьбовым отверстием, убедитесь, что резьба диска достаточна, чтобы диск можно было полностью завернуть на шпindel.
14. Убедитесь, что обрабатываемая деталь имеет надлежащую опору.
15. Обратите внимание на то, что диск будет некоторое время вращаться после выключения инструмента.
16. Если в месте выполнения работ очень высокая температура и влажность или наблюдается большое количество токопроводящей пыли, используйте прерыватель цепи (30 мА) для обеспечения безопасности работ.
17. Не используйте инструмент на любых материалах, содержащих асбест.
18. При использовании отрезного диска, всегда работайте с защитным кожухом с патрубком для удаления пыли, установка которого необходима в соответствии с местными нормативными требованиями.
19. Не подвергайте отрезные круги какому-либо боковому давлению.
20. Не пользуйтесь тканевыми перчатками во время работы. Волокна от тканевых перчаток могут попасть в инструмент и привести к его поломке.
21. Убедитесь в отсутствии поблизости электрических проводов, водопроводных и газовых труб и других предметов, которые могут стать причиной опасной ситуации в случае их повреждения при использовании инструмента.
3. Если время работы аккумуляторного блока значительно сократилось, немедленно прекратите работу. В противном случае, может возникнуть перегрев блока, что приведет к ожогам и даже к взрыву.
4. В случае попадания электролита в глаза промойте их обильным количеством чистой воды и немедленно обратитесь к врачу. Это может привести к потере зрения.
5. Не замыкайте контакты аккумуляторного блока между собой:
 - (1) Не прикасайтесь к контактам какими-либо токопроводящими предметами.
 - (2) Не храните аккумуляторный блок в контейнере вместе с другими металлическими предметами, такими как гвозди, монеты и т. п.
 - (3) Не допускайте попадания на аккумуляторный блок воды или дождя.

Замыкание контактов аккумуляторного блока между собой может привести к возникновению большого тока, перегреву, возможным ожогам и даже поломке блока.

6. Не храните и не используйте инструмент и аккумуляторный блок в местах, где температура может достигать или превышать 50 °C (122 °F).
7. Не бросайте аккумуляторный блок в огонь, даже если он сильно поврежден или полностью вышел из строя. Аккумуляторный блок может взорваться под действием огня.
8. Запрещено вбивать гвозди в блок аккумулятора, резать, ломать, бросать, ронять блок аккумулятора или ударять его твердым предметом. Это может привести к пожару, перегреву или взрыву.
9. Не используйте поврежденный аккумуляторный блок.
10. Входящие в комплект литий-ионные аккумуляторы должны эксплуатироваться в соответствии с требованиями законодательства об опасных товарах.

При коммерческой транспортировке, например, третьей стороной или экспедитором, необходимо нанести на упаковку специальные предупреждения и маркировку.

В процессе подготовки устройства к отправке обязательно проконсультируйтесь со специалистом по опасным материалам. Также соблюдайте местные требования и нормы. Они могут быть строже.

Закройте или закрепите разомкнутые контакты и упакуйте аккумулятор так, чтобы он не перемещался по упаковке.
11. Для утилизации блока аккумулятора извлеките его из инструмента и утилизируйте безопасным способом. Выполняйте требования местного законодательства по утилизации аккумуляторного блока.
12. Используйте аккумуляторы только с продукцией, указанной Makita. Установка аккумуляторов на продукцию, не соответствующую требованиям, может привести к пожару, перегреву, взрыву или утечке электролита.

СОХРАНИТЕ ДАННЫЕ ИНСТРУКЦИИ.

▲ ОСТОРОЖНО: НЕ ДОПУСКАЙТЕ, чтобы удобство или опыт эксплуатации данного устройства (полученный от многократного использования) доминировали над строгим соблюдением правил техники безопасности при обращении с этим устройством. **НЕПРАВИЛЬНОЕ ИСПОЛЬЗОВАНИЕ** инструмента или несоблюдение правил техники безопасности, указанных в данном руководстве, может привести к тяжелой травме.

Важные правила техники безопасности для работы с аккумуляторным блоком

1. Перед использованием аккумуляторного блока прочитайте все инструкции и предупреждающие надписи на (1) зарядном устройстве, (2) аккумуляторном блоке и (3) инструменте, работающем от аккумуляторного блока.
2. Не разбирайте блок аккумулятора и не меняйте его конструкцию. Это может привести к пожару, перегреву или взрыву.

13. Если инструментом не будут пользоваться в течение длительного периода времени, извлеките аккумулятор из инструмента.
14. Во время и после использования блок аккумулятора может нагреваться, что может стать причиной ожогов или низкотемпературных ожогов. Будьте осторожны при обращении с горячим блоком аккумулятора.
15. Не прикасайтесь к контактам инструмента сразу после использования, поскольку они могут быть достаточно горячими, чтобы вызвать ожоги.
16. Не допускайте, чтобы обломки, пыль или земля прилипали к контактам, отверстиям и пазам на блоке аккумулятора. Это может привести к снижению эксплуатационных параметров, поломке инструмента или блока аккумулятора.
17. Если инструмент не рассчитан на использование вблизи высоковольтных линий электропередач, не используйте блок аккумулятора вблизи высоковольтных линий электропередач. Это может привести к неисправности, поломке инструмента или блока аккумулятора.
18. Храните аккумулятор в недоступном для детей месте.

СОХРАНИТЕ ДАННЫЕ ИНСТРУКЦИИ.

⚠ВНИМАНИЕ: Используйте только фирменные аккумуляторные батареи Makita. Использование аккумуляторных батарей, не произведенных Makita, или батарей, которые были подвергнуты модификациям, может привести к взрыву аккумулятора, пожару, травмам и повреждению имущества. Это также автоматически аннулирует гарантию Makita на инструмент и зарядное устройство Makita.

Советы по обеспечению максимального срока службы аккумулятора

1. Заряжайте блок аккумуляторов перед его полной разрядкой. Обязательно прекратите работу с инструментом и зарядите блок аккумуляторов, если вы заметили снижение мощности инструмента.
2. Никогда не подзаряжайте полностью заряженный блок аккумуляторов. Перезарядка сокращает срок службы аккумулятора.
3. Заряжайте блок аккумуляторов при комнатной температуре в 10 - 40 °C (50 - 104 °F). Перед зарядкой горячего блока аккумуляторов дайте ему остыть.
4. Если блок аккумулятора не используется, извлеките его из инструмента или зарядного устройства.
5. Зарядите ионно-литиевый аккумуляторный блок, если вы не будете пользоваться инструментом длительное время (более шести месяцев).

ОПИСАНИЕ РАБОТЫ

⚠ВНИМАНИЕ: Перед регулировкой или проверкой функций инструмента обязательно убедитесь, что он выключен и его аккумуляторный блок снят.

Установка или снятие блока аккумулятора

⚠ВНИМАНИЕ: Обязательно выключайте инструмент перед установкой и извлечением аккумуляторного блока.

⚠ВНИМАНИЕ: При установке и извлечении аккумуляторного блока крепко удерживайте инструмент и аккумуляторный блок. Если не соблюдать это требование, они могут выскользнуть из рук, что приведет к повреждению инструмента, аккумуляторного блока и травмированию оператора.

► **Рис.1:** 1. Красный индикатор 2. Кнопка 3. Блок аккумулятора

Для снятия аккумуляторного блока нажмите кнопку на лицевой стороне и извлеките блок.

Для установки блока аккумулятора совместите выступ блока аккумулятора с пазом в корпусе и задвиньте его на место. Устанавливайте блок до упора так, чтобы он зафиксировался на месте с небольшим щелчком. Если вы можете видеть красный индикатор на верхней части клавиши, блок аккумулятора не полностью зафиксирован на месте.













⚠ВНИМАНИЕ: Обязательно устанавливайте блок аккумулятора до конца, чтобы красный индикатор не был виден. В противном случае блок аккумулятора может выпасть из инструмента и нанести травму вам или другим людям.




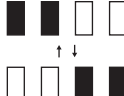
⚠ВНИМАНИЕ: Не прилагайте чрезмерных усилий при установке аккумуляторного блока. Если блок не двигается свободно, значит он вставлен неправильно.

Индикация оставшегося заряда аккумулятора

Нажмите кнопку проверки на аккумуляторном блоке для проверки заряда. Индикаторы загорятся на несколько секунд.

► **Рис.2:** 1. Индикаторы 2. Кнопка проверки

Индикаторы			Уровень заряда
 Горит	 Выкл.	 Мигает	
			от 75 до 100%
			от 50 до 75%
			от 25 до 50%
			от 0 до 25%
			Зарядите аккумуляторную батарею.

Индикаторы			Уровень заряда
 Горит	 Выкл.	 Мигает	
			Возможно, аккумуляторная батарея неисправна.
↑ ↓			

ПРИМЕЧАНИЕ: В зависимости от условий эксплуатации и температуры окружающего воздуха индикация может незначительно отличаться от фактического значения.

ПРИМЕЧАНИЕ: Первая (дальняя левая) индикаторная лампа будет мигать во время работы защитной системы аккумулятора.

Система защиты инструмента/аккумулятора

На инструменте предусмотрена система защиты инструмента/аккумулятора. Она автоматически отключает питание двигателя для продления срока службы инструмента и аккумулятора. Инструмент автоматически остановится во время работы в следующих случаях:

Защита от перегрузки

Если из-за способа эксплуатации инструмент/аккумулятор потребляет очень большое количество тока, он автоматически остановится без включения каких-либо индикаторов. В этом случае выключите инструмент и прекратите работу, повлекшую перегрузку инструмента. Затем включите инструмент для перезапуска.

Защита от перегрева

При перегреве инструмента/аккумулятора инструмент останавливается автоматически. Дайте инструменту остыть перед возобновлением работы.

Защита от переразрядки

При истощении емкости аккумулятора инструмент автоматически останавливается. В этом случае извлеките аккумулятор из инструмента и зарядите его.

Выключение защитной блокировки

Если постоянно срабатывает защитная система, инструмент блокируется. В этой ситуации инструмент не запустится даже при выключении и повторном включении. Чтобы выключить защитную блокировку, извлеките аккумулятор, установите его в зарядное устройство и дождитесь окончания зарядки.

Фиксатор вала

Нажмите на фиксатор вала для предотвращения вращения шпинделя при установке или снятии дополнительных принадлежностей.

► **Рис.3:** 1. Фиксатор вала

ПРИМЕЧАНИЕ: Никогда не задействуйте фиксатор вала при вращающемся шпинделе. Это может привести к повреждению инструмента.

Действие выключателя

ВНИМАНИЕ: Перед тем как устанавливать блок аккумулятора в инструмент, следует всегда проверять, чтобы ползунковый переключатель работал надлежащим образом и возвращался в положение “ВЫКЛ” при нажатии на заднюю часть ползункового переключателя.

ВНИМАНИЕ: В случае продолжительной работы для удобства оператора переключатель можно зафиксировать в положении “ВКЛ”. Соблюдайте осторожность при фиксации инструмента в положении “ВКЛ.” и крепко удерживайте инструмент.

Для запуска инструмента нажмите на заднюю часть ползункового переключателя, после чего передвиньте его в положение “I (ВКЛ)”. Для непрерывной работы нажмите на переднюю часть ползункового переключателя, чтобы зафиксировать его.

► **Рис.4:** 1. Ползунковый переключатель

Для остановки инструмента нажмите на заднюю часть ползункового переключателя, чтобы он вернулся в положение “O (ВЫКЛ.)”.

► **Рис.5:** 1. Ползунковый переключатель

Функция предотвращения случайного запуска

Даже если блок аккумулятора устанавливается в инструмент с ползунковым переключателем в положении “I (ВКЛ)”, инструмент не включится.

Для включения инструмента сначала переведите ползунковый переключатель в положение “O (ВЫКЛ)”, а затем снова в положение “I (ВКЛ)”.

Функция электронного контроля крутящего момента

С помощью электронного устройства инструмент определяет, что существует риск защемления диска или другой принадлежности. При выявлении таких рисков инструмент автоматически отключается для предотвращения дальнейшего вращения шпинделя (это не предотвращает отдачу).

Чтобы перезапустить инструмент, сначала отключите его. Устраните причину внезапного снижения скорости вращения и вновь включите инструмент.

Функция плавного запуска

Функция плавного запуска снижает начальный рывок инструмента.

СБОРКА

⚠ВНИМАНИЕ: Перед регулировкой или проверкой функций инструмента обязательно убедитесь, что он выключен и его аккумуляторный блок снят.

Установка боковой ручки (рукоятки)

⚠ВНИМАНИЕ: Перед работой всегда проверяйте надежность крепления боковой ручки.

Прочно закрепите боковую ручку на месте винтом, как показано на рисунке.

► Рис.6

Установка или снятие кожуха диска

⚠ОСТОРОЖНО: При использовании диска с утопленным центром, откидного круга, гибкого диска или дисковой проволочной щетки установите защитный кожух так, чтобы закрытая сторона кожуха была направлена к оператору.

⚠ОСТОРОЖНО: Убедитесь в том, что кожух диска надежно зафиксирован стопорным рычагом в одном из отверстий на кожухе диска.

⚠ОСТОРОЖНО: При использовании абразивного отрезного диска/алмазного диска может применяться только специальный защитный кожух, предназначенный для отрезных дисков.

(В некоторых странах Европы при использовании алмазного диска можно применять обычный кожух. Соблюдайте требования нормативов, действующих в вашей стране.)

Для диска с утопленным центром, откидного круга, гибкого диска, дисковой проволочной щетки / абразивного отрезного диска, алмазного диска

1. Удерживая нажатым стопорный рычаг, установите кожух диска, совместив выступы на кожухе диска с пазами на корпусе подшипника.

► Рис.7: 1. Стопорный рычаг 2. Паз 3. Выступ

2. Удерживая нажатым стопорный рычаг в направлении А, задвиньте кожух диска, удерживая в точках В, как показано на рисунке.

► Рис.8: 1. Кожух диска 2. Отверстие

ПРИМЕЧАНИЕ: Надавите на кожух диска в направлении вперед. В противном случае вы не сможете полностью вставить кожух диска.

3. Удерживая стопорный рычаг и кожух диска, как описано на этапе 2, поверните кожух диска в направлении С, после чего измените угол кожуха диска в соответствии с условиями работы, чтобы обеспечить защиту оператора. Совместите стопорный рычаг с одним из отверстий в кожухе диска, после чего отпустите стопорный рычаг, чтобы заблокировать кожух диска.

► Рис.9: 1. Кожух диска 2. Отверстие

ПРИМЕЧАНИЕ: Полностью вдавите кожух диска. В противном случае вы не сможете повернуть кожух диска.

Для снятия кожуха диска выполните процедуру установки в обратном порядке.

Установка и снятие диска с утопленным центром или откидного круга

Дополнительные принадлежности

⚠ОСТОРОЖНО: При использовании диска с утопленным центром или откидного круга кожух диска должен быть установлен так, чтобы его закрытая сторона была обращена к оператору.

⚠ВНИМАНИЕ: Убедитесь, что крепежный компонент внутреннего фланца идеально совпадает с внутренним диаметром диска с утопленным центром/откидного круга. Установка внутреннего фланца не с той стороны может привести к возникновению опасной вибрации.

Установите на шпindelь внутренний фланец. Убедитесь, что часть с выемкой внутреннего фланца установлена на ровный участок у нижней части шпинделя.

Установите диск с утопленным центром/откидного круга на внутренний фланец и закрутите контргайку на шпинделе.

► Рис.10: 1. Контргайка 2. Диск с утопленным центром 3. Внутренний фланец 4. Крепежный компонент

Для затяжки контргайки сильно надавите на фиксатор вала, чтобы шпindelь не проворачивался, затем воспользуйтесь ключом контргайки и крепко затяните ее по часовой стрелке.

► Рис.11: 1. Ключ контргайки 2. Фиксатор вала

Для снятия диска выполните процедуру установки в обратном порядке.

Установка и снятие гибкого диска

Дополнительные принадлежности

⚠ОСТОРОЖНО: При установке на инструмент гибкого диска обязательно используйте прилагаемый кожух. Во время работы диск может разрушиться. Защитный кожух снижает риск получения травмы.

► Рис.12: 1. Контргайка 2. Гибкий диск 3. Вспомогательная подушка 4. Внутренний фланец

Следуйте указаниям для диска с утопленным центром, а также установите над диском вспомогательную подушку. Порядок сборки дополнительных принадлежностей см. на соответствующей странице данного руководства.

Установка или снятие абразивного круга

Дополнительные принадлежности

- **Рис.13:** 1. Шлифовальная контргайка
2. Абразивный круг 3. Резиновая подушка

1. Установите резиновую подушку на шпиндель.
2. Установите круг на резиновую подушку и наверните на шпиндель шлифовальную контргайку.
3. Закрепите шпиндель с помощью фиксатора вала и надежно затяните шлифовальную контргайку по часовой стрелке с помощью ключа.

Для снятия круга выполните процедуру установки в обратном порядке.

ПРИМЕЧАНИЕ: Используйте принадлежности для шлифования, указанные в данном руководстве. Их необходимо приобретать отдельно.

Установка или снятие гайки Ezy nut

Дополнительные принадлежности

ВНИМАНИЕ: Не используйте гайку Ezy nut с быстрозажимным фланцем или угловой шлифовальной машиной, в конце модели которой указана буква «F». Толщина этих фланцев слишком велика, поэтому шпиндель не сможет удерживать всю резьбу.

- **Рис.14:** 1. Гайка Ezy nut 2. Абразивный диск
3. Внутренний фланец 4. Шпиндель

Установите внутренний фланец, абразивный диск и гайку Ezy nut на шпиндель таким образом, чтобы логотип «Makita» на гайке Ezy nut был направлен наружу.

- **Рис.15:** 1. Фиксатор вала

Сильно нажмите на фиксатор вала и затяните гайку Ezy nut, повернув абразивный диск по часовой стрелке до упора. Чтобы ослабить гайку Ezy nut, поверните ее внешней кольце против часовой стрелки.

- **Рис.16:** 1. Стрелка 2. Выемка

- **Рис.17**

ПРИМЕЧАНИЕ: Пока стрелка указывает на выемку, гайку Ezy nut можно ослабить вручную. В противном случае необходим ключ для контргайки, чтобы ослабить ее. Вставьте один штифт ключа в отверстие и поверните Ezy nut против часовой стрелки.

Установка абразивного отрезного/алмазного диска

Дополнительные принадлежности

ОСТОРОЖНО: При использовании абразивного отрезного диска/алмазного диска может применяться только специальный защитный кожух, предназначенный для отрезных дисков.

(В некоторых странах Европы при использовании алмазного диска можно применять обычный кожух. Соблюдайте требования нормативов, действующих в вашей стране.)

ОСТОРОЖНО: ЗАПРЕЩАЕТСЯ использовать отрезной диск для шлифовки боковой поверхностью.

- **Рис.18:** 1. Контргайка 2. Абразивный отрезной диск/алмазный диск 3. Внутренний фланец 4. Защитный кожух для абразивного отрезного диска/алмазного диска

Сведения по установке см. в инструкциях к диску с утолщенным центром.

Направление установки контргайки и внутреннего фланца зависит от толщины и типа диска. Придерживайтесь следующих значений.

При установке абразивного отрезного диска:

- **Рис.19:** 1. Контргайка 2. Абразивный отрезной диск (тоньше 4 мм (5/32 дюйма))
3. Абразивный отрезной диск (4 мм (5/32 дюйма) или толще) 4. Внутренний фланец

При установке алмазного диска:

- **Рис.20:** 1. Контргайка 2. Алмазный диск (тоньше 4 мм (5/32 дюйма)) 3. Алмазный диск (4 мм (5/32 дюйма) или толще)
4. Внутренний фланец

Установка чашечной проволочной щетки

Дополнительные принадлежности

ВНИМАНИЕ: Не используйте поврежденную или разбалансированную щетку. Использование поврежденной щетки может увеличить опасность получения травм от контакта с проволокой.

- **Рис.21:** 1. Чашечная проволочная щетка

Извлеките блок аккумулятора из инструмента и положите шпинделем вверх, чтобы обеспечить легкий доступ к шпинделю.

Снимите со шпинделя все дополнительные принадлежности. Наверните проволочную чашечную щетку на шпиндель и затяните прилагаемым ключом.

Установка дисковой проволочной щетки

Дополнительные принадлежности

ВНИМАНИЕ: Не используйте поврежденную или разбалансированную дисковую проволочную щетку. Использование поврежденной дисковой проволочной щетки может увеличить риск получения травм от контакта с проволокой.

ВНИМАНИЕ: При работе с дисковой проволочной щеткой ВСЕГДА используйте защитный кожух, убедившись, что диаметр диска соответствует внутреннему диаметру кожуха. Во время работы диск может разрушиться. Защитный кожух снизит риск получения травмы.

- **Рис.22:** 1. Дисковая проволочная щетка

Извлеките блок аккумулятора из инструмента и положите шпинделем вверх, чтобы обеспечить легкий доступ к шпинделю.

Снимите со шпинделя все дополнительные принадлежности. Установите дисковую проволочную щетку на шпиндель и затяните ее с помощью ключей.

ЭКСПЛУАТАЦИЯ

⚠ОСТОРОЖНО: Никогда не прилагайте к инструменту чрезмерные усилия. Вес инструмента обеспечивает достаточное давление. Чрезмерное усилие и давление могут привести к опасному разрушению диска.

⚠ОСТОРОЖНО: ОБЯЗАТЕЛЬНО замените диск, если при шлифовании инструмент упал.

⚠ОСТОРОЖНО: ЗАПРЕЩАЕТСЯ стучать и бить шлифовальным кругом по обрабатываемой детали.

⚠ОСТОРОЖНО: Избегайте подпрыгивания и зацепления диска, особенно при обработке углов, острых краев и т. д. Это может привести к потере контроля и отдаче.

⚠ОСТОРОЖНО: Запрещается использовать инструмент с полотнами для обработки дерева или другими пыльными дисками. При использовании на шлифмашине такие диски часто выскакивают, выходят из-под контроля и приводят к травмам.

⚠ВНИМАНИЕ: Запрещается включать инструмент, если он касается обрабатываемого изделия. Это может стать причиной травмы оператора.

⚠ВНИМАНИЕ: Во время выполнения операции всегда надевайте защитные очки или защитную маску.

⚠ВНИМАНИЕ: После работы всегда отключайте инструмент и дождитесь полной остановки диска перед тем, как положить инструмент.

⚠ВНИМАНИЕ: ВСЕГДА крепко держите инструмент, положив одну руку на корпус, а вторую - на боковую ручку (рукоятку).

Шлифовка и зачистка

► Рис.23

Включите инструмент, а затем прижмите диск или круг к обрабатываемой детали. Обычно следует держать край диска или круга под углом около 15 градусов относительно поверхности обрабатываемой детали.

В период приработки нового диска не перемещайте шлифмашину вперед, поскольку диск может врезаться в обрабатываемую деталь. После того как кромка диска закруглится от использования, можно будет перемещать его в обоих направлениях (вперед и назад).

Выполнение работ с абразивным отрезным/алмазным диском

Дополнительные принадлежности

⚠ОСТОРОЖНО: Не “заклинивайте” диск и не оказывайте на него чрезмерное давление. Не пытайтесь делать слишком глубокий разрез. Чрезмерное давление на диск увеличивает нагрузку и вероятность искривления или застревания диска в прорези, а также возможность отдачи, поломки диска и перегрева электродвигателя.

⚠ОСТОРОЖНО: Не запускайте отрезной диск, пока он находится в детали. Дайте диску раскрутиться до максимальной скорости, а затем осторожно введите в разрез, перемещая инструмент вперед по поверхности обрабатываемой детали. Диск может застрять, отдача может отбросить его вверх или назад, если запустить электроинструмент, когда диск находится в детали.

⚠ОСТОРОЖНО: Во время операций резания нельзя менять угол наклона диска. Боковое давление на отрезной диск (как при шлифовке) приводит к растрескиванию и разрушению диска, в результате чего возможны серьезные травмы.

⚠ОСТОРОЖНО: Работы с алмазным диском необходимо выполнять, удерживая его перпендикулярно рабочей поверхности.

Пример использования: применение абразивного отрезного диска

► Рис.24

Пример использования: применение алмазного диска

► Рис.25

Операции с чашечной проволочной щеткой

Дополнительные принадлежности

⚠ВНИМАНИЕ: Проверьте работу щетки, запустив инструмент на холостом ходу, предварительно убедившись, что никто не находится перед ним или на одной линии со щеткой.

ПРИМЕЧАНИЕ: Не прилагайте слишком большое давление, поскольку это может привести к изгибанию проволоки во время использования чашечной проволочной щетки. Это может стать причиной преждевременной поломки.

Пример использования: применение чашечной проволочной щетки

► Рис.26

Работа с дисковой проволочной щеткой

Дополнительные принадлежности

⚠ ВНИМАНИЕ: Проверьте работу дисковой проволочной щетки, запустив инструмент на холостом ходу и предварительно убедившись, что никто не находится перед ним или на одной линии с дисковой проволочной щеткой.

ПРИМЕЧАНИЕ: Не прилагайте слишком большое давление, так как оно может привести к тому, что проволока погнется во время использования дисковой проволочной щетки. Это может стать причиной преждевременной поломки.

Пример использования: применение дисковой проволочной щетки

► Рис.27

ОБСЛУЖИВАНИЕ

⚠ ВНИМАНИЕ: Перед проведением проверки или работ по техобслуживанию всегда проверяйте, что инструмент выключен, а блок аккумуляторов снят.

ПРИМЕЧАНИЕ: Запрещается использовать бензин, растворители, спирт и другие подобные жидкости. Это может привести к обесцвечиванию, деформации и трещинам.

Для обеспечения БЕЗОПАСНОСТИ и НАДЕЖНОСТИ оборудования, ремонт, любое другое техобслуживание или регулировку необходимо производить в уполномоченных сервис-центрах Makita, с использованием только сменных частей производства Makita.

Очистка вентиляционного отверстия

Инструмент и его вентиляционные отверстия должны содержаться в чистоте. Производите регулярную очистку вентиляционных отверстий инструмента или очищайте их в случае засорения.

► **Рис.28:** 1. Вытяжное отверстие 2. Впускное вентиляционное отверстие

Снимите пылезащитную крышку с впускного вентиляционного отверстия и очистите ее, чтобы обеспечить свободное прохождение воздуха.

► **Рис.29:** 1. Пылезащитный кожух

ПРИМЕЧАНИЕ: При засорении пылезащитного кожуха пылью или посторонними веществами очистите его. Продолжение эксплуатации с засоренным пылезащитным кожухом приведет к повреждению инструмента.

ДОПОЛНИТЕЛЬНЫЕ ПРИНАДЛЕЖНОСТИ

▲ ВНИМАНИЕ: Данные принадлежности или приспособления рекомендуются для использования с инструментом Makita, указанным в настоящем руководстве. Использование других принадлежностей или приспособлений может привести к получению травмы. Используйте принадлежность или приспособление только по указанному назначению.

Если вам необходимо содействие в получении дополнительной информации по этим принадлежностям, свяжитесь с вашим сервис-центром Makita.

- Оригинальный аккумулятор и зарядное устройство Makita

► Рис.30

-	Модель 150 мм (6 дюймов)
1	Рукоятка 36
2	Кожух диска (для шлифовального диска)
3	Внутренний фланец
4	Диск с утопленным центром/откидной круг
5	Контргайка
6	Вспомогательная подушка
7	Гибкий диск
8	Резиновая подушка 125
9	Абразивный круг
10	Шлифовальная контргайка
11	Дисковая проволочная щетка
12	Чашечная проволочная щетка
13	Кожух диска (для отрезного диска) *1
14	Абразивный отрезной диск / алмазный диск
-	Ключ контргайки

ПРИМЕЧАНИЕ: *1 В некоторых странах Европы при использовании алмазного диска можно использовать обычный кожух вместо специального, закрывающего обе стороны диска. Соблюдайте требования нормативов, действующих в вашей стране.

ПРИМЕЧАНИЕ: Некоторые элементы списка могут входить в комплект инструмента в качестве стандартных приспособлений. Они могут отличаться в зависимости от страны.

Makita Europe N.V. Jan-Baptist Vinkstraat 2,
3070 Kortenberg, Belgium

Makita Corporation 3-11-8, Sumiyoshi-cho,
Anjo, Aichi 446-8502 Japan

www.makita.com

885823-980
EN, SV, NO, FI, DA,
LV, LT, ET, RU
20200903