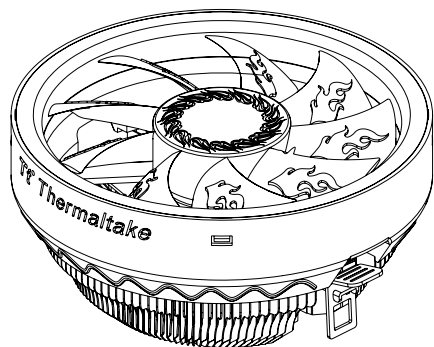
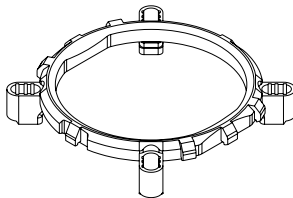


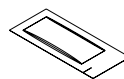
Parts list



A x 1



B x 1



C x 1

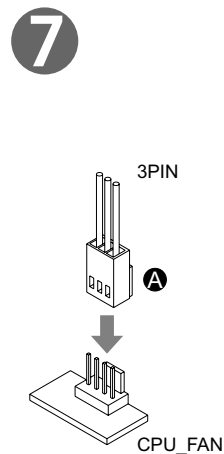
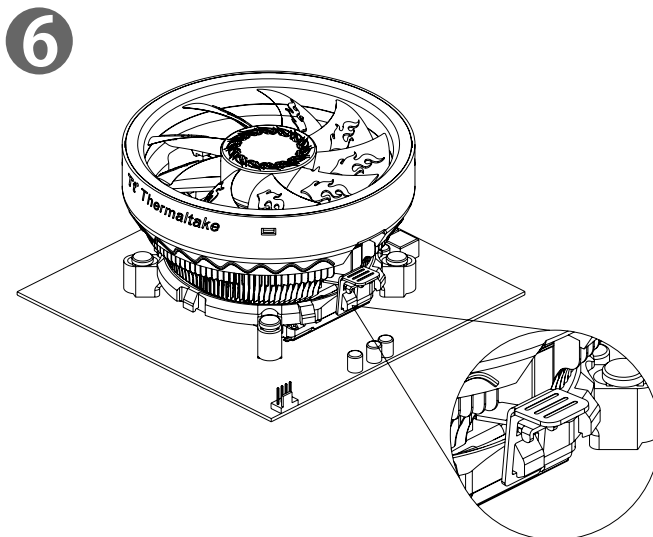
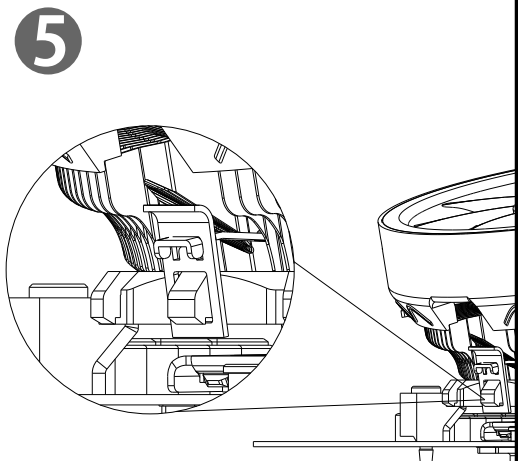
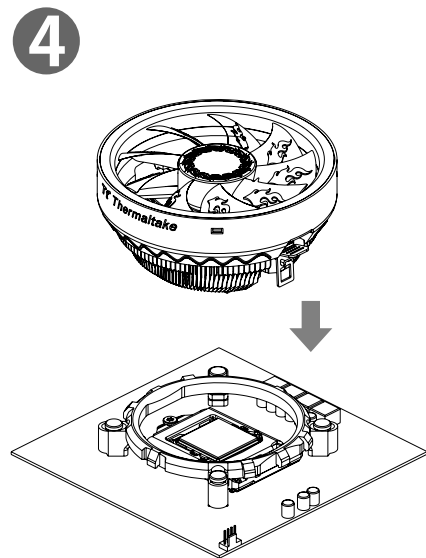
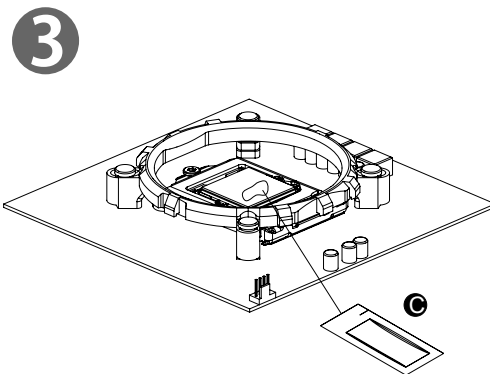
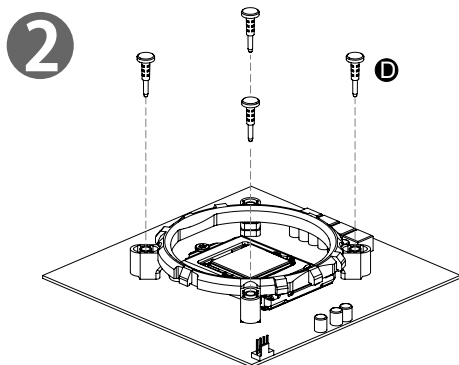
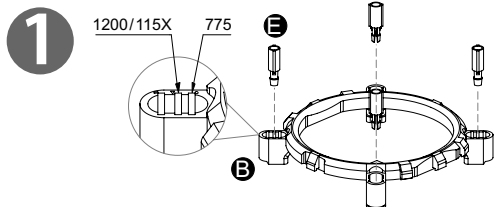


D x 4



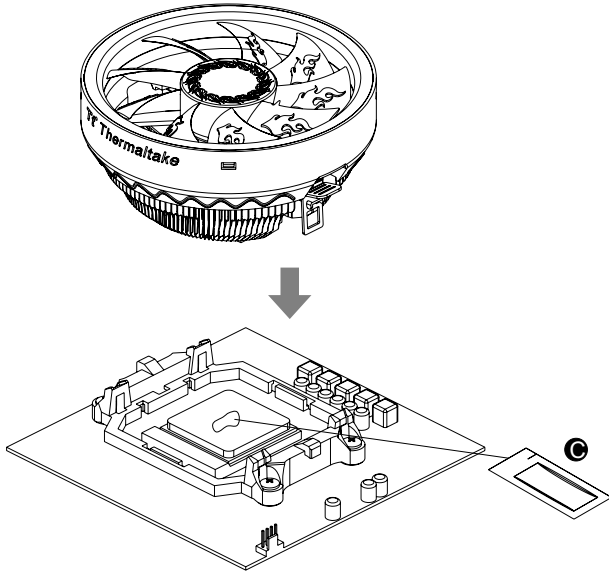
E x 4

INTEL

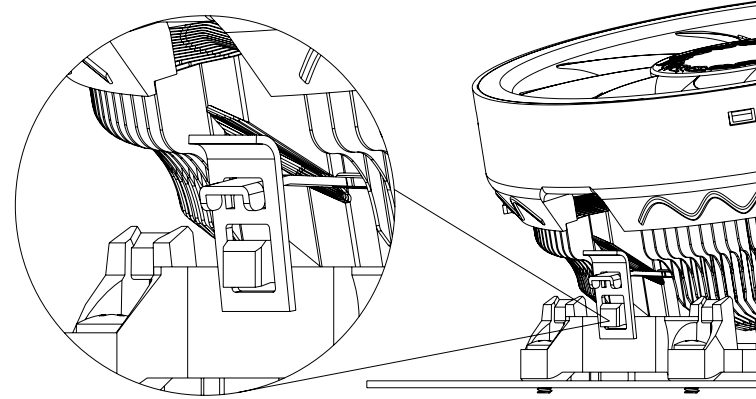


AMD

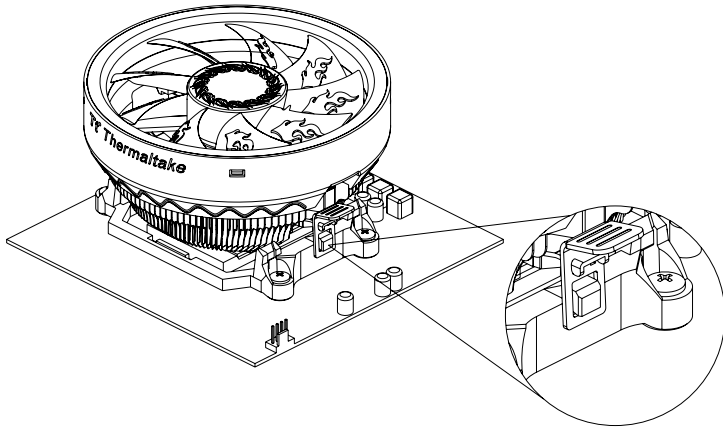
1



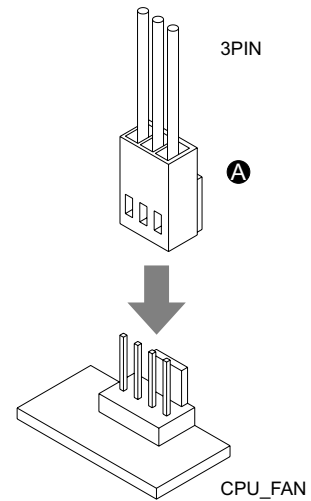
2



3



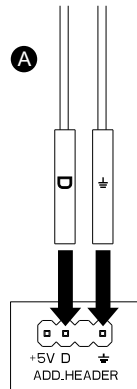
4



MB SYNC

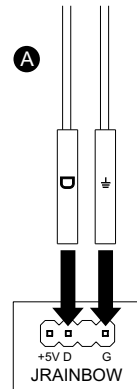
ASUS

Aura Addressable Strip Header(s)



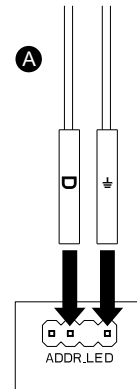
MSI

JRGB-strip Header(S)



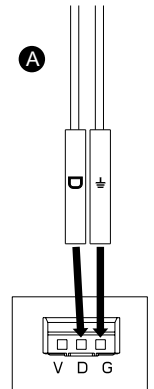
ASROCK

Addressable RGB LED Header(s)



GIGABYTE

AOURS RGB Fusion with Digital LEDs



CAUTION

Please power off the PC and check the Positive and Negative ends on the connector before connecting the cable to mainboard. Connecting the wrong end can damage the fans.